



★★★★★  
**REAL HYDROFIT & CO.**®

SPLTS: TUBE-PIPE FITTINGS - FLEXIBLE HOSES - HYDRAULIC FITTINGS

## TUBES & PIPE FITTINGS



UDYOG AADHAAR MEMORANDUM:  
MH19B0048230



ISO 9001 :  
2015 CERTIFIED COMPANY

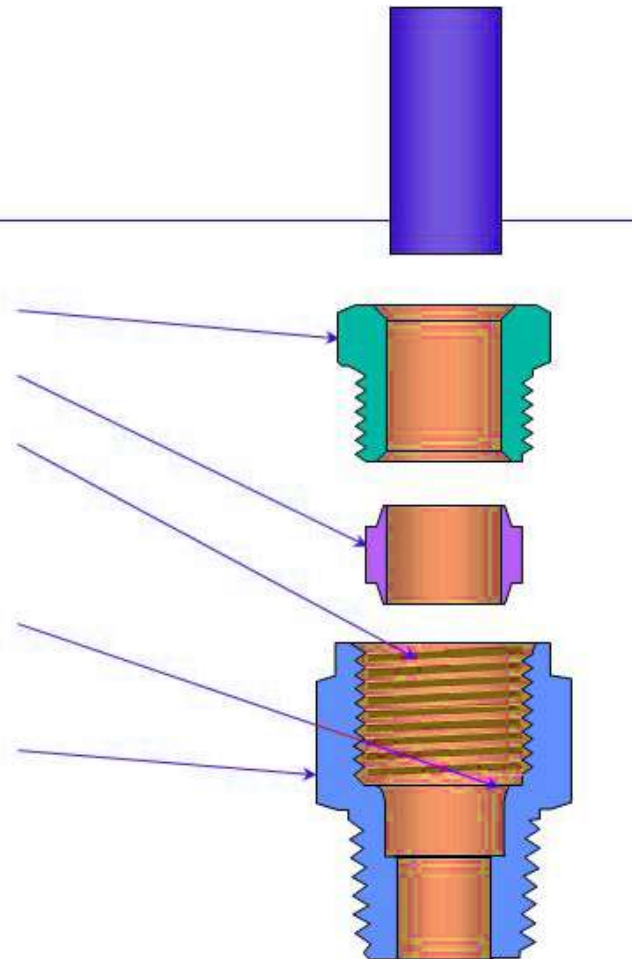


UDYAM REGISTRATION :  
UDYAM-MH-19-0002724

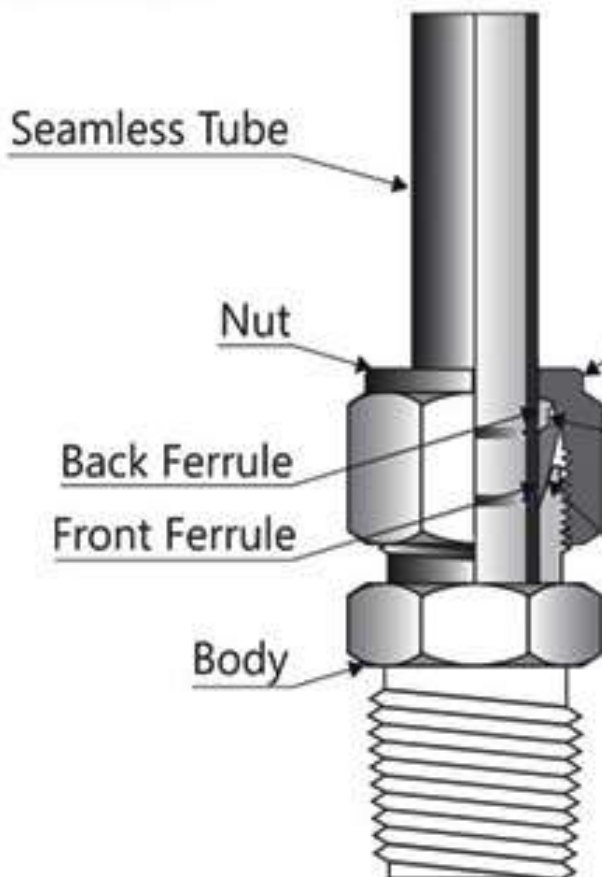
[www.realhydrofit.com](http://www.realhydrofit.com)

# Fitting parts

- Tubing nut
- Tubing sleeve
- Tubing thread
- Machined profile for forming the tubing sleeve on to the tube and making a seal
- Fitting body



## Function



## Features

Silver plated threads in the Nut prevents Galling.

Case hardened Back ferrule locks the tube and Fittings and prepares a primary seal that absorbs Pressure pulses and vibrations.

Font Ferrule become a secondary seal to give a leak proof joint.



# ★★★★★ REAL HYDROFIT & CO.®

SPLTS: TUBE - PIPE FITTINGS - FLEXIBLE HOSES - HYDRAULIC FITTINGS

## TUBE FITTINGS

Front Ferrule	RH-1-FF	1
Back Ferrule	RH-2-BF	2
Nut	RH-3-N	3
Male Connector	RH-4-MC	4-5
Female Connector	RH-5-FC	6-7
Union	RH-6-U	8
Reducing Union	RH-7-RU	9
Bulkhead Male Connector	RH-8-BMC	10
Bulkhead Female Connector	RH-9-BFC	11
Bulkhead Union	RH-10-BU	12
Bulkhead Reducing Union	RH-11-BRU	13
Tube End Closure	RH-12-TC	14
Fitting End Closure	RH-13-TP	15
Union Elbow	RH-14-UE	16
Male Elbow	RH-15-ME	17-18
Female Elbow	RH-16-FE	19-20
Male Adapter	RH-17-MA	21
Female Adapter	RH-18-FA	22
Union Cross	RH-19-UC	23
Union Tee	RH-20-UT	24
Reducing Union Tee	RH-21-RUT	25-26
Bulkhead Elbow	RH-22-BE	27
Male Run Tee	RH-23-MRT	28-29
Male Branch Tee	RH-24-MBT	30-31
Female Branch Tee	RH-25-FBT	32
Female Run Tee	RH-26-FRT	33
Reducer	RH-27-R	34-35

## 37° FLARE TUBE FITTINGS

Union	RH-201F-U	36
Bulkhead Union	RH-202F-BU	37
Reducing Union	RH-203F-RU	38
Male Connector	RH-204F-MC	39
Male Connector	RH-205F-MCU	40
Female Connector	RH-206F-FC	41
Union Elbow	RH-207F-UE	42
Bulkhead Elbow	RH-208F-BE	43
Male Elbow	RH-209F-ME	44
Male Elbow	RH-210F-MEU	45
45° Bulkhead Elbow	RH-211F-ABE	46
45° Male Elbow	RH-212F-AME	47
45° Male Elbow	RH-213F-AMEU	48
Female Elbow	RH-214F-FE	49
Union Tee	RH-215F-UT	50
Bulkhead Run Tee	RH-216F-BRT	51
Male Run Tee	RH-217F-MRT	52
Male Run Tee	RH-218F-MRTU	53
Female Run Tee	RH-219F-FRT	54
Union Cross	RH-220F-UC	55
Pipe End Closure	RH-221F-TC	56
Fitting End Closure	RH-222F-TP	57
Nuts	RH-223F-N	58
Sleeves	RH-224F-S	59

## PIPE FITTINGS (NPT)

Plug	RH-225-P	60
------	----------	----



sales@realhydrofit.com  
reohydesales@gmail.com



www.realhydrofit.com



9869078630, 9167921882  
91 22 66573951/52/53, 23717488





# ★★★★★ REAL HYDROFIT & CO.®

SPLTS: TUBE - PIPE FITTINGS - FLEXIBLE HOSES - HYDRAULIC FITTINGS

Bushing	RH-226-B	61
Nipple	RH-227-N	62
Cap	RH-228-C	63
Hex Coupling	RH-229-CU	64
Adaptor	RH-230-A	65
Male Elbow	RH-231-ME	66
Female Elbow	RH-232-FE	67
Street Elbow	RH-233-SE	68
Male Tee	RH-234-MT	68
Female Cross	RH-235-FC	69
Female Tee	RH-236-FT	70
Street Tee	RH-237-ST	71
Branch Tee	RH-238-BT	72
Round Coupling	RH-239-RC	73

## FLUID CONNECTORS

Measure fluid connectors	74-75
--------------------------	-------

## AMERICAN CONNECTIONS

NPTF	76
NPSM	77
SAE J1926 Straight Thread O-Ring Boss	78
SAE J514 37° Hydraulic	79
SAE J1453 O-Ring Face Seal	80
SAE J512 Inverted	81
SAE J512 45°	82
SAE J1467	83
SAE J518 4-Bolt Flange	84

## ISO CONNECTIONS

ISO/DIS 6162 4-Bolt Flange	85
----------------------------	----

## GERMAN CONNECTIONS

DIN 7631 Series	86
DIN 3902 Series	87
DIN 20066 4-Bolt Flange	88
DIN 3852 Male Connectors & Female Ports	89

## FRENCH CONNECTIONS

Millimétrique and GAZ Series	90
------------------------------	----

## BRITISH CONNECTIONS

British Standard Pipe	91
-----------------------	----

## JAPANESE CONNECTIONS

JIS 30° Male Inverted Seat, Parallel Pipe Threads	92
JIS Tapered Pipe	92
JIS 30° Male Inverted Seat, Metric Threads	93
JIS 30° Female Seat, Parallel Pipe Threads	94
JIS B 8363 4-Bolt Flange	95
JIS 210 Kg/cm <sup>2</sup> 4-Bolt Square Flange	96

## THREAD PRESSURE PERFORMANCE

Thread Pressure Performance	97-98
-----------------------------	-------

## ASSEMBLY TORQUE

Assembly Torque	99-101
-----------------	--------



sales@realhydrofit.com  
reohydesales@gmail.com



www.realhydrofit.com



9869078630, 9167921882  
91 22 66573951/52/53, 23717488

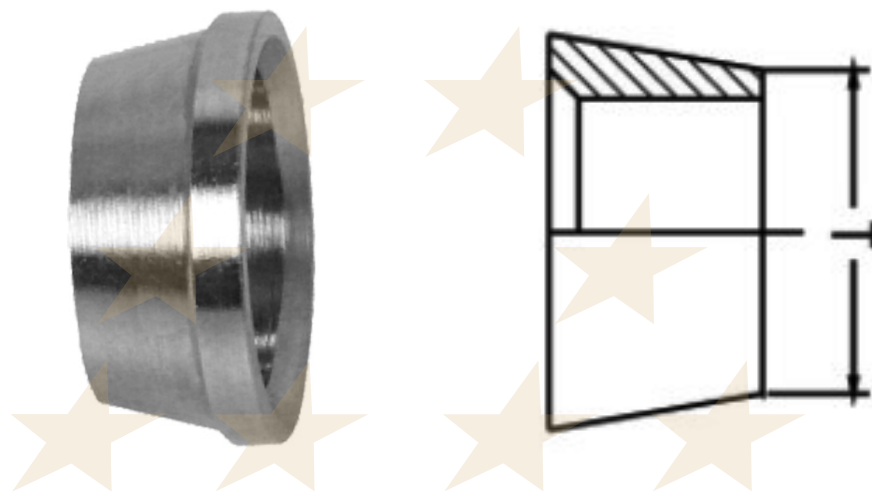




# ★★★★★ REAL HYDROFIT & CO.®

SPLTS: TUBE - PIPE FITTINGS - FLEXIBLE HOSES - HYDRAULIC FITTINGS

## TUBE FITTINGS FRONT FERRULE - MODEL NO. RH-1-FF



METRIC OD Tubes		INCH OD Tubes	
Model No.	T Tube OD	Model No.	T Tube OD
RH-1-FF-3m	3	RH-1-FF-1	1/16
RH-1-FF-6m	6	RH-1-FF-2	1/8
RH-1-FF-8m	8	RH-1-FF-4	1/4
RH-1-FF-10m	10	RH-1-FF-5	5/16
RH-1-FF-12m	12	RH-1-FF-6	3/8
RH-1-FF-14m	14	RH-1-FF-8	1/2
RH-1-FF-15m	15	RH-1-FF-10	5/8
RH-1-FF-16m	16	RH-1-FF-12	3/4
RH-1-FF-18m	18	RH-1-FF-14	7/8
RH-1-FF-20m	20	RH-1-FF-16	1
RH-1-FF-22m	22	RH-1-FF-20	1.1/4
RH-1-FF-25m	25	RH-1-FF-24	1.1/2
RH-1-FF-28m	28	RH-1-FF-32	2
RH-1-FF-30m	30		
RH-1-FF-32m	32		
RH-1-FF-38m	38		

**Note:** All dimensions are subject to change without notice. All dimensions are in mm unless specified

1



sales@realhydrofit.com  
reohydesales@gmail.com



www.realhydrofit.com



9869078630, 9167921882  
91 22 66573951/52/53, 23717488



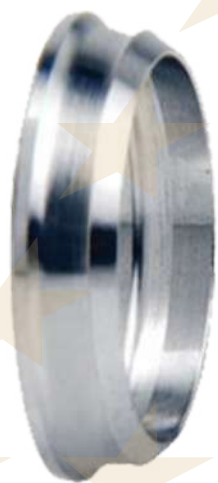


# ★★★★★ REAL HYDROFIT & CO.®

SPLTS: TUBE - PIPE FITTINGS - FLEXIBLE HOSES - HYDRAULIC FITTINGS

## TUBE FITTINGS

### BACK FERRULE - MODEL NO. RH-2-BF



METRIC OD Tubes		INCH OD Tubes	
Model No.	T Tube OD	Model No.	T Tube OD
RH-2-BF-3m	3	RH-2-BF-1	1/16
RH-2-BF-6m	6	RH-2-BF-2	1/8
RH-2-BF-8m	8	RH-2-BF-4	1/4
RH-2-BF-10m	10	RH-2-BF-5	5/16
RH-2-BF-12m	12	RH-2-BF-6	3/8
RH-2-BF-14m	14	RH-2-BF-8	1/2
RH-2-BF-15m	15	RH-2-BF-10	5/8
RH-2-BF-16m	16	RH-2-BF-12	3/4
RH-2-BF-18m	18	RH-2-BF-14	7/8
RH-2-BF-20m	20	RH-2-BF-16	1
RH-2-BF-22m	22	RH-2-BF-20	1.1/4
RH-2-BF-25m	25	RH-2-BF-24	1.1/2
RH-2-BF-28m	28	RH-2-BF-32	2
RH-2-BF-30m	30		
RH-2-BF-32m	32		
RH-2-BF-38m	38		

**Note:** All dimensions are subject to change without notice. All dimensions are in mm unless specified



[sales@realhydrofit.com](mailto:sales@realhydrofit.com)  
[reohydesales@gmail.com](mailto:reohydesales@gmail.com)



[www.realhydrofit.com](http://www.realhydrofit.com)



9869078630, 9167921882  
91 22 66573951/52/53, 23717488



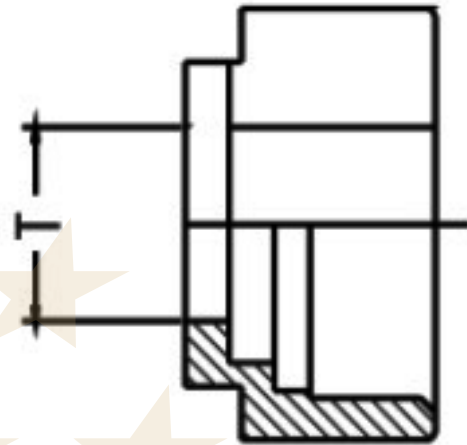
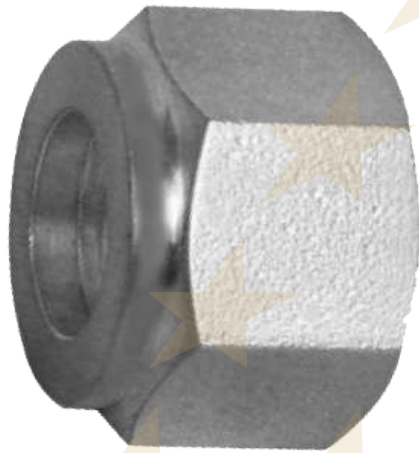


# ★★★★★ REAL HYDROFIT & CO.®

SPLTS: TUBE - PIPE FITTINGS - FLEXIBLE HOSES - HYDRAULIC FITTINGS

## TUBE FITTINGS

### NUT - MODEL NO. RH-3-N



METRIC OD Tubes			
Model No.	T Tube OD	L	G (A/F)
RH-3-N-3m	3	12.0	11.0
RH-3-N-6m	6	12.7	14.0
RH-3-N-8m	8	13.5	16.0
RH-3-N-10m	10	15.1	19.0
RH-3-N-12m	12	17.5	22.0
RH-3-N-14m	14	17.5	25.0
RH-3-N-15m	15	17.5	25.0
RH-3-N-16m	16	17.5	25.0
RH-3-N-18m	18	17.5	30.0
RH-3-N-20m	20	17.5	32.0
RH-3-N-22m	22	17.5	32.0
RH-3-N-25m	25	20.3	38.0
RH-3-N-28m	28	30.6	46.0
RH-3-N-30m	30	32.7	50.0
RH-3-N-32m	32	34.0	50.0
RH-3-N-38m	38	38.1	57.0

INCH OD Tubes			
Model No.	T Tube OD	L	G (A/F)
RH-3-N-1	1/16	8.0	8.0
RH-3-N-2	1/8	12.0	11.0
RH-3-N-4	1/4	12.7	14.0
RH-3-N-5	5/16	14.0	16.0
RH-3-N-6	3/8	14.5	17.0
RH-3-N-8	1/2	17.5	22.0
RH-3-N-10	5/8	17.5	25.0
RH-3-N-12	3/4	17.5	28.5
RH-3-N-14	7/8	17.5	32.0
RH-3-N-16	1	20.3	38.0
RH-3-N-20	1.1/4	31.8	50.0
RH-3-N-24	1.1/2	38.0	57.0
RH-3-N-32	2	52.5	76.0

**Note:** All dimensions are subject to change without notice. All dimensions are in mm unless specified



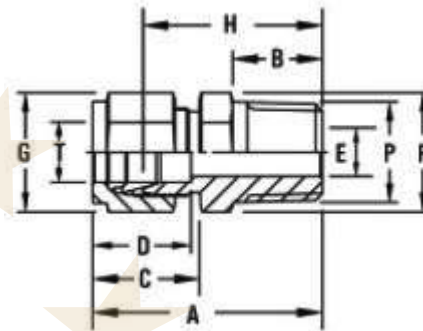


# ★★★★★ REAL HYDROFIT & CO.®

SPLTS: TUBE - PIPE FITTINGS - FLEXIBLE HOSES - HYDRAULIC FITTINGS

## TUBE FITTINGS

### MALE CONNECTOR - MODEL NO. RH-4-MC



### INCH OD Tubes X Male NPT Threads

Model No.	T Tube OD	P NPT Male	A	B	C	D	E min.	F A/F	G A/F	H
RH-4-MC-1-1N	1/16	1/16	23.9	9.6	11	8.6	1.3	8	8	20
RH-4-MC-1-2N	1/16	1/8	26.2	9.6	11	8.6	1.3	11	8	22.4
RH-4-MC-2-2N	1/8	1/8	30.5	9.6	15.3	12.7	2.4	12.7	11	23.9
RH-4-MC-2-4N	1/8	1/4	35.6	14.3	15.3	12.7	2.4	14	11	29
RH-4-MC-4-2N	1/4	1/8	32.8	9.6	17.8	15.3	4.8	12.7	14	25.4
RH-4-MC-4-4N	1/4	1/4	37.8	14.3	17.8	15.3	4.8	14	14	30.5
RH-4-MC-4-6N	1/4	3/8	38.4	14.3	17.8	15.3	4.8	19	14	31
RH-4-MC-4-8N	1/4	1/2	44.7	19.1	17.8	15.3	4.8	22	14	37.4
RH-4-MC-5-4N	5/16	1/4	38.6	14.3	18.5	16.3	6.3	14	16	31.2
RH-4-MC-6-2N	3/8	1/8	35.3	9.6	19.3	16.8	4.8	16	17	27.9
RH-4-MC-6-4N	3/8	1/4	39.8	14.3	19.3	16.8	7.1	16	17	32.5
RH-4-MC-6-6N	3/8	3/8	39.8	14.3	19.3	16.8	7.1	19	17	32.5
RH-4-MC-6-8N	3/8	1/2	41.2	19.1	19.3	16.8	7.1	22	17	38.9
RH-4-MC-8-4N	1/2	1/4	43.4	14.3	21.8	22.9	7.1	20.5	22	33.3
RH-4-MC-8-6N	1/2	3/8	43.4	14.3	21.8	22.9	9.6	20.5	22	33.3
RH-4-MC-8-8N	1/2	1/2	49	19.1	21.8	22.9	10.4	22	22	38.9
RH-4-MC-8-12N	1/2	3/4	50.5	19.1	21.8	22.9	10.4	28	22	40.4
RH-4-MC-8-16N	1/2	1	57.1	23.8	21.8	22.9	10.4	36	22	47
RH-4-MC-10-6N	5/8	3/8	44.2	14.3	21.8	24.4	9.6	24	25	34
RH-4-MC-10-8N	5/8	1/2	49	19.1	21.8	24.4	10.4	24	25	38.9
RH-4-MC-12-8N	3/4	1/2	50.5	19.1	21.8	24.4	10.4	28	28	40.4
RH-4-MC-12-12N	3/4	3/4	50.5	19.1	21.8	24.4	15.8	28	28	40.4
RH-4-MC-12-16N	3/4	1	57.1	23.8	21.8	24.4	15.8	36	28	47
RH-4-MC-14-12N	7/8	3/4	50.5	19.1	21.8	26	15.8	30	32	40.4
RH-4-MC-16-8N	1	1/2	57.4	19.1	26.4	31.2	10.4	36	38	45.2
RH-4-MC-16-12N	1	3/4	57.4	19.1	26.4	31.2	15.8	36	38	45.2
RH-4-MC-16-16N	1	1	62.2	23.8	26.4	31.2	22.3	36	38	50
RH-4-MC-20-16N	1.1/4	1	77.2	23.8	38.9	41.2	22.3	46	50	55.2
RH-4-MC-20-20N	1.1/4	1.1/4	77.2	23.8	38.9	41.2	27.6	46	50	55.2
RH-4-MC-24-24N	1.1/2	1.1/2	88.9	26.2	45.2	50	34	55	57	61.7
RH-4-MC-32-32N	2	2	113.5	26.9	62.7	67.6	46	70	76	76.2



sales@realhydrofit.com  
reohydesales@gmail.com



www.realhydrofit.com



9869078630, 9167921882  
91 22 66573951/52/53, 23717488





# ★★★★★ REAL HYDROFIT & CO.®

SPLTS: TUBE - PIPE FITTINGS - FLEXIBLE HOSES - HYDRAULIC FITTINGS

## TUBE FITTINGS

### MALE CONNECTOR - MODEL NO. RH-4-MC

#### METRIC OD Tubes x Male NPT Threads

Model No.	T Tube OD	P NPT Male	A	B	C	D	E min.	F A/F	G A/F	H
RH-4-MC-3m-2N	3	1/8	30.5	9.6	15.3	12.9	2.4	12.7	11	23.9
RH-4-MC-3m-4N	3	1/4	35.6	14.3	15.3	12.9	2.4	14	11	29
RH-4-MC-6m-2N	6	1/8	32.8	9.6	17.7	15.3	4.8	12.7	14	25.4
RH-4-MC-6m-4N	6	1/4	37.9	14.3	17.7	15.3	4.8	14	14	30.5
RH-4-MC-6m-6N	6	3/8	38.4	14.3	17.7	15.3	4.8	19	14	31
RH-4-MC-6m-8N	6	1/2	44.7	19.1	17.7	15.3	4.8	22	14	37.3
RH-4-MC-8m-2N	8	1/8	34.2	9.6	18.6	16.2	4.8	14	16	26.7
RH-4-MC-8m-4N	8	1/4	38.7	14.3	18.6	16.2	6.3	14	16	31.2
RH-4-MC-8m-6N	8	3/8	39.3	14.3	18.6	16.2	6.3	19	16	31.8
RH-4-MC-8m-8N	8	1/2	45.6	19.1	18.6	16.2	6.3	22	16	38.1
RH-4-MC-10m-2N	10	1/8	36.3	9.6	19.5	17.2	4.8	17	19	28.7
RH-4-MC-10m-4N	10	1/4	40.9	14.3	19.5	17.2	7.9	17	19	33.3
RH-4-MC-10m-6N	10	3/8	40.9	14.3	19.5	17.2	7.9	19	19	33.3
RH-4-MC-10m-8N	10	1/2	46.5	19.1	19.5	17.2	7.9	22	19	38.9
RH-4-MC-12m-4N	12	1/4	43.4	14.3	22	22.8	7.1	20	22	33.3
RH-4-MC-12m-6N	12	3/8	43.4	14.3	22	22.8	9.5	20	22	33.3
RH-4-MC-12m-8N	12	1/2	49	19.1	22	22.8	9.5	22	22	38.9
RH-4-MC-12m-12N	12	3/4	50.5	19.1	22	22.8	9.5	28	22	40.4
RH-4-MC-12m-16N	12	1	57.1	23.8	22	22.8	9.5	36	22	47
RH-4-MC-14m-4N	14	1/4	44.1	14.3	22	24.4	7.1	24	25	34
RH-4-MC-14m-6N	14	3/8	44.1	14.3	22	24.4	9.5	24	25	34
RH-4-MC-14m-8N	14	1/2	49	19.1	22	24.4	11.1	24	25	38.9
RH-4-MC-15m-8N	15	1/2	49	19.1	22	24.4	11.9	25	25	38.9
RH-4-MC-16m-6N	16	3/8	44.1	14.3	22	24.4	9.5	25	25	34
RH-4-MC-16m-8N	16	1/2	49	19.1	22	24.4	11.9	25	25	38.9
RH-4-MC-16m-12N	16	3/4	50.5	19.1	22	24.4	12.7	28	25	40.4
RH-4-MC-18m-8N	18	1/2	50.5	19.1	22	24.4	11.9	28	30	40.4
RH-4-MC-18m-12N	18	3/4	50.5	19.1	22	24.4	15.1	28	30	40.4
RH-4-MC-20m-8N	20	1/2	52.3	19.1	22	26	11.9	32	32	42.2
RH-4-MC-20m-12N	20	3/4	52.3	19.1	22	26	15.9	32	32	42.2
RH-4-MC-22m-12N	22	3/4	52.3	19.1	22	26	15.9	32	32	42.2
RH-4-MC-22m-16N	22	1	57.1	23.8	22	26	18.3	36	32	47
RH-4-MC-25m-8N	25	1/2	57.5	19.1	26.5	31.3	11.9	36	38	45.2
RH-4-MC-25m-12N	25	3/4	57.5	19.1	26.5	31.3	15.8	36	45.2	45.2
RH-4-MC-25m-16N	25	1	62.3	23.8	26.5	31.3	21.8	36	38	50
RH-4-MC-28m-16N	28	1	72.4	23.8	36.6	36.6	21.8	41	46	51.6
RH-4-MC-28m-20N	28	1.1/4	73.1	23.8	36.6	36.6	21.8	46	46	52.3
RH-4-MC-30m-20N	30	1.1/4	77.2	23.8	39.2	39.6	26.2	46	50	55.6
RH-4-MC-32m-20N	32	1.1/4	79.6	23.8	41.6	42	28.6	46	50	56.6
RH-4-MC-38m-24N	38	1.1/2	96.6	26.2	47.9	49.4	33.7	55	57	64

**Note: All dimensions are subject to change without notice. All dimensions are in mm unless specified**



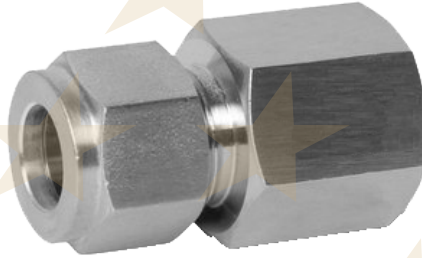


# ★★★★★ REAL HYDROFIT & CO.®

SPLTS: TUBE - PIPE FITTINGS - FLEXIBLE HOSES - HYDRAULIC FITTINGS

## TUBE FITTINGS

### FEMALE CONNECTOR - MODEL NO. RH-5-FC



### INCH OD Tubes x Female NPT Threads

Model No.	T Tube OD	P NPT Male	A	B	C	D	E min.	F A/F	G A/F	H
RH-5-FC-1-1N	1/16	1/16	23.6	9.9	11	8.6	1.3	11	8	19.8
RH-5-FC-1-2N	1/16	1/8	24.4	10.4	11	8.6	1.3	14	8	20.6
RH-5-FC-2-2N	1/8	1/8	28.7	10.4	15.3	12.7	2.4	14	11	22.1
RH-5-FC-2-4N	1/8	1/4	33.6	15	15.3	12.7	2.4	19	11	26.9
RH-5-FC-4-2N	1/4	1/8	31.2	9.9	17.8	15.3	4.8	14	14	23.9
RH-5-FC-4-4N	1/4	1/4	35.8	15	17.8	15.3	4.8	19	14	28.5
RH-5-FC-4-6N	1/4	3/8	37.6	15	17.8	15.3	4.8	22	14	30.2
RH-5-FC-4-8N	1/4	1/2	42.4	19.8	17.8	15.3	4.8	25	14	35
RH-5-FC-5-2N	5/16	1/8	32	10.4	18.5	16.3	6.3	14	16	24.6
RH-5-FC-5-4N	5/16	1/4	36.8	15	18.5	16.3	6.3	19	16	29.5
RH-5-FC-6-2N	3/8	1/8	32.8	10.4	19.3	16.8	7.1	16	17	25.4
RH-5-FC-6-4N	3/8	1/4	37.6	15	19.3	16.8	7.1	19	17	30.2
RH-5-FC-6-6N	3/8	3/8	39.1	15	19.3	16.8	7.1	22	17	31.8
RH-5-FC-6-8N	3/8	1/2	43.9	19.8	19.3	16.8	7.1	25	17	36.6
RH-5-FC-8-4N	1/2	1/4	40.4	15	21.8	22.9	10.4	20.5	22	30.2
RH-5-FC-8-6N	1/2	3/8	41.9	15	21.8	22.9	10.4	22	22	30.2
RH-5-FC-8-8N	1/2	1/2	46.7	19.8	21.8	22.9	10.4	25	22	36.6
RH-5-FC-8-12N	1/2	3/4	48.3	20.6	21.8	22.9	10.4	32	22	38.1
RH-5-FC-10-6N	5/8	3/8	41.9	15	21.8	24.4	12.7	22	25	31.8
RH-5-FC-10-8N	5/8	1/2	46.7	19.8	21.8	24.4	12.7	25	25	36.6
RH-5-FC-12-8N	3/4	1/2	46.7	19.8	21.8	24.4	15.8	28	28.5	36.6
RH-5-FC-12-12N	3/4	3/4	48.3	20.6	21.8	24.4	15.8	36	28.5	38.1
RH-5-FC-14-12N	7/8	3/4	49.8	20.6	21.8	25.9	18.3	36	32	39.6
RH-5-FC-16-12N	1	3/4	53.4	20.6	26.4	31.2	22.3	36	38	41.2
RH-5-FC-16-16N	1	1	62.3	25.4	26.4	31.2	22.3	41	38	50
RH-5-FC-20-20N	1 1/4	1 1/4	74.6	25.4	38.9	41.2	27.6	55	50	52.6
RH-5-FC-24-24N	1 1/2	1 1/2	83.3	27.6	45.2	50	34	60	60	56.2



sales@realhydrofit.com  
reohydesales@gmail.com



www.realhydrofit.com



9869078630, 9167921882  
91 22 66573951/52/53, 23717488



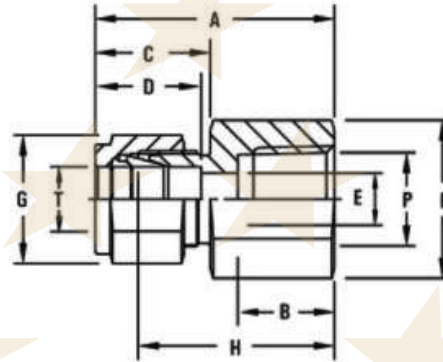


# ★★★★★ REAL HYDROFIT & CO.®

SPLTS: TUBE - PIPE FITTINGS - FLEXIBLE HOSES - HYDRAULIC FITTINGS

## TUBE FITTINGS

### FEMALE CONNECTOR - MODEL NO. RH-5-FC



### METRIC OD Tubes x Female NPT Threads

Model No.	T Tube OD	P NPT Male	A	B	C	D	E min.	F A/F	G A/F	H
RH-5-FC-3m-4N	3	1/4	35.3	12.9	15.3	12.9	2.4	19	11	28.7
RH-5-FC-6m-4N	6	1/4	37.6	12.9	17.7	15.3	4.8	19	14	30.2
RH-5-FC-6m-6N	6	3/8	37.6	14.1	17.7	15.3	4.8	22	14	30.2
RH-5-FC-6m-8N	6	1/2	43.5	18.9	17.7	15.3	4.8	25	14	36.1
RH-5-FC-8m-4N	8	1/4	38.5	12.9	18.6	16.2	5.5	19	16	31
RH-5-FC-8m-6N	8	3/8	36.2	14.1	18.6	16.2	6.5	22	16	28.7
RH-5-FC-8m-8N	8	1/2	41	18.9	18.6	16.2	7.1	25	16	33.5
RH-5-FC-10m-4N	10	1/4	39.4	19.5	19.5	17.2	5.5	19	19	31.8
RH-5-FC-10m-6N	10	3/8	38.8	19.5	19.5	17.2	6.5	22	19	31.2
RH-5-FC-10m-8N	10	1/2	42.1	19.5	19.5	17.2	7.1	25	19	34.5
RH-5-FC-12m-4N	12	1/4	41.9	12.9	22	22.8	5.5	20.5	22	31.8
RH-5-FC-12m-6N	12	3/8	44.4	14.1	22	22.8	6.5	22	22	34.3
RH-5-FC-12m-8N	12	1/2	48.2	18.9	22	22.8	7.1	25	22	38.1

**Note:** All dimensions are subject to change without notice. All dimensions are in mm unless specified





# ★★★★★ REAL HYDROFIT & CO.®

SPLTS: TUBE - PIPE FITTINGS - FLEXIBLE HOSES - HYDRAULIC FITTINGS

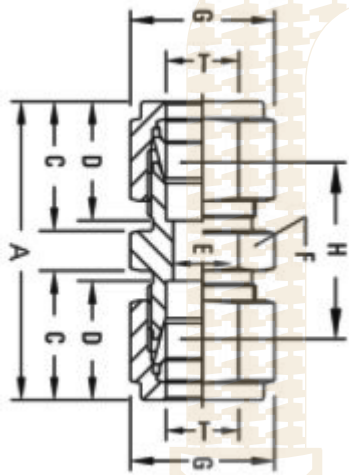
## TUBE FITTINGS UNION - MODEL NO. RH-6-U

### INCH OD Tubes

Model No.	T Tube OD	A	C	D	E min.	F A/F	G A/F	H
RH-6-U-1	1/16	25.1	11	8.6	1.3	8	8	17.5
RH-6-U-2	1/8	35.6	15.3	12.7	2.4	12.7	11	22.4
RH-6-U-4	1/4	40.9	17.8	15.3	4.8	12.7	14	26.2
RH-6-U-5	5/16	42.9	18.5	16.3	6.3	14	16	28.2
RH-6-U-6	3/8	45	19.3	16.8	7.1	16	17	30.2
RH-6-U-8	1/2	51.3	21.8	22.9	10.4	20.5	22	31
RH-6-U-10	5/8	52	21.8	24.4	12.7	25	25	31.8
RH-6-U-12	3/4	53.6	21.8	24.4	15.8	28	28.5	33.3
RH-6-U-14	7/8	55.2	21.8	25.9	18.2	32	32	34.8
RH-6-U-16	1	64.8	26.4	31.2	22.3	36	38	40.4
RH-6-U-20	1 1/4	92.2	38.9	41.2	27.6	46	50	48
RH-6-U-24	1 1/2	108	45.2	50	34	55	57	53.6
RH-6-U-32	2	149.4	62.7	67.6	46	70	76	74.7



### METRIC OD Tubes



Model No.	T Tube OD	A	C	D	E min.	F A/F	G A/F	H
RH-6-U-3m	3	35.3	15.3	12.9	2.4	12.7	11	22.1
RH-6-U-6m	6	41	17.7	15.3	4.8	12.7	14	26.2
RH-6-U-8m	8	43.2	18.6	16.2	6.3	14	16	28.2
RH-6-U-10m	10	46.2	19.5	17.2	7.9	17	19	31
RH-6-U-12m	12	51.2	22	22.8	9.5	20.5	22	31
RH-6-U-14m	14	52	22	24.4	11.1	25	25	31
RH-6-U-15m	15	52	22	24.4	11.9	25	25	31.8
RH-6-U-16m	16	52	22	24.4	12.7	25	25	31.8
RH-6-U-18m	18	53.5	22	24.4	15.1	27	30	33.3
RH-6-U-20m	20	55	22	26	15.9	32	32	34.8
RH-6-U-22m	22	55	22	26	18.3	32	32	34.8
RH-6-U-25m	25	65	26.5	31.3	21.8	36	38	40.4
RH-6-U-28m	28	85	36.6	36.6	21.8	41	46	43.4
RH-6-U-30m	30	92.7	39.2	39.6	26.2	46	50	49.5
RH-6-U-32m	32	97.3	41.6	42	28.6	46	50	51.3
RH-6-U-38m	38	113.6	47.9	49.4	33.7	55	57	58.4

**Note:** All dimensions are subject to change without notice. All dimensions are in mm unless specified

sales@realhydrofit.com  
reohydesales@gmail.com

www.realhydrofit.com

9869078630, 9167921882  
91 22 66573951/52/53, 23717488





# ★★★★★ REAL HYDROFIT & CO.®

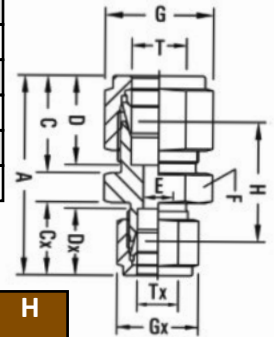
SPLTS: TUBE - PIPE FITTINGS - FLEXIBLE HOSES - HYDRAULIC FITTINGS

## TUBE FITTINGS

### REDUCING UNION - MODEL NO. RH-7-RU

#### INCH OD Tubes

Model No.	T Tube OD	Tx Tube OD	A	C	Cx	D	Dx	E min.	F A/F	G A/F	Gx A/F	H
RH-7-RU-4-2	1/4	1/8	38.6	17.8	15.3	15.3	12.7	2.4	12.7	14	11	24.6
RH-7-RU-5-2	5/16	1/8	39.6	18.6	15.3	16.3	12.7	2.4	14	16	11	25.7
RH-7-RU-5-4	5/16	1/4	42.2	18.6	17.8	16.3	15.3	4.8	14	16	14	27.5
RH-7-RU-6-2	3/8	1/8	40.9	19.3	15.3	16.8	12.7	2.4	16	17	11	26.9
RH-7-RU-6-4	3/8	1/4	43.2	19.3	17.8	16.8	15.3	4.8	16	17	14	28.5
RH-7-RU-8-2	1/2	1/8	45.2	21.8	15.3	22.9	12.7	2.4	20.5	22	11	28.5
RH-7-RU-8-4	1/2	1/4	47	1.8	17.8	22.9	15.3	4.8	20.5	22	14	29.5
RH-7-RU-8-6	1/2	3/8	48.5	21.8	19.3	22.9	16.8	7.1	20.5	22	17	31
RH-7-RU-10-6	5/8	3/8	49.3	21.8	19.3	24.4	16.8	7.1	25	25	17	31.8
RH-7-RU-10-8	5/8	1/2	52	21.8	21.8	24.4	22.9	10.4	25	25	22	31.8
RH-7-RU-12-4	3/4	1/4	49.3	21.8	17.8	24.4	15.3	4.8	28	28.5	14	31.8
RH-7-RU-12-6	3/4	3/8	50.8	21.8	19.3	24.4	16.8	7.1	28	28.5	17	33.3
RH-7-RU-12-8	3/4	1/2	53.6	21.8	21.8	24.4	22.9	10.4	28	28.5	22	33.3
RH-7-RU-16-8	1	1/2	60.5	26.5	21.8	31.2	22.9	10.4	36	38	22	38.1
RH-7-RU-16-12	1	3/4	60.5	26.5	21.8	31.2	24.4	15.8	36	38	28.5	38.1
RH-7-RU-20-16	1 1/4	1	92.2	38.9	26.4	41.23	1.2	22.3	45	50	38	48
RH-7-RU-24-20	1 1/2	1 1/4	60.5	26.5	21.8	31.2	24.4	15.8	55	57	50	53.6



#### METRIC OD Tubes

MODEL NO.	T Tube OD	Tx Tube OD	A	C	Cx	D	Dx	E min.	F A/F	G A/F	Gx A/F	H
RH-7-RU-6M-3M	6	3	38.6	17.7	15.3	15.3	12.9	2.4	12.7	14	11	24.6
RH-7-RU-8M-6M	8	6	42.3	18.6	17.7	16.2	15.3	4.8	14	16	14	27.4
RH-7-RU-10M-6M	10	6	44.5	19.5	17.7	17.2	15.3	4.8	17	19	14	29.5
RH-7-RU-10M-8M	10	8	45.1	19.5	18.6	17.2	16.2	6.3	17	19	16	30
RH-7-RU-12M-6M	12	6	47	22	17.7	22.8	15.3	4.8	20.5	22	14	29.5
RH-7-RU-12M-8M	12	8	47.8	22	18.6	22.8	16.2	6.4	20.5	22	16	30.2
RH-7-RU-12M-10M	12	10	48.7	22	19.5	22.8	17.2	7.9	20.5	22	19	31
RH-7-RU-16M-10M	16	10	49.5	22	19.5	24.4	17.2	7.9	25	25	19	31.8
RH-7-RU-16M-12M	16	12	52	22	22	24.4	22.8	9.5	25	25	22	31.8
RH-7-RU-22M-18M	22	18	55	22	22	26	24.4	15.1	32	32	30	34.8
RH-7-RU-22M-20M	22	20	55	22	22	26	26.6	15.9	32	32	32	34.8
RH-7-RU-25M-12M	25	12	65	26.5	22	31.3	22.8	9.5	36	38	22	40.4
RH-7-RU-25M-20M	25	20	65	26.5	22	31.3	26	15.9	36	38	32	40.4
RH-7-RU-30M-20M	30	20	75.4	39.2	22	39.6	26	15.9	45	50	32	43.7
RH-7-RU-30M-25M	30	25	80.1	39.2	26.5	39.6	31.3	21.8	45	50	38	46.2
RH-7-RU-32M-20M	32	20	77.8	41.6	22	42	26	15.9	45	50	32	44.7
RH-7-RU-32M-25M	32	25	82.3	41.6	26.5	42	31.3	21.8	45	50	38	47
RH-7-RU-38M-20M	38	20	92	47.9	26.5	49.4	31.3	21.8	55	57	38	52.1
RH-7-RU-38M-25M	38	25	104.6	47.9	39.2	49.4	39.6	26.2	55	57	50	55.4

**Note:** All dimensions are subject to change without notice. All dimensions are in mm unless specified



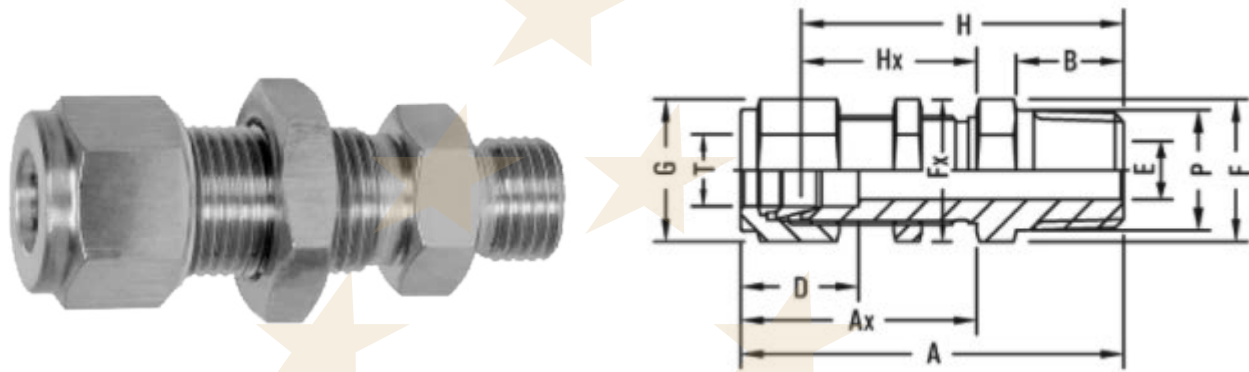


# REAL HYDROFIT & CO.®

SPLTS: TUBE - PIPE FITTINGS - FLEXIBLE HOSES - HYDRAULIC FITTINGS

## TUBE FITTINGS

### BULKHEAD MALE CONNECTOR - MODEL NO. RH-8-BMC



#### INCH OD Tubes x Male NPT Threads

Model No.	T Tube OD	P NPT Male	A	Ax	B	D	E min.	F A/F	G A/F	H	Hx	Panel Hole Drill Size	Max Panel Thickness
RH-8-BMC-2-2N	1/8	1/8	46.4	31.2	9.6	12.7	2.4	14	11	39.8	24.6	8.3	12.7
RH-8-BMC-4-2N	1/4	1/8	49.5	33.5	9.6	15.3	4.8	16	14	42.2	26.2	11.5	10.2
RH-8-BMC-4-4N	1/4	1/4	54.1	33.5	14.3	15.3	4.8	16	14	46.7	26.2	11.5	10.2
RH-8-BMC-6-4N	3/8	1/4	57.4	36.8	14.3	16.8	7.1	19	17	50	29.5	14.7	11.2
RH-8-BMC-6-6N	3/8	3/8	57.4	36.8	14.3	16.8	7.1	19	17	50	29.5	14.7	11.2
RH-8-BMC-6-8N	3/8	1/2	63.7	36.8	19.1	16.8	7.1	22	17	56.5	29.5	14.7	11.2
RH-8-BMC-8-6N	1/2	3/8	63.3	41.9	14.3	22.9	9.6	24	22	53	31.8	19.5	12.7
RH-8-BMC-8-8N	1/2	1/2	68.8	41.9	19.1	22.9	10.4	24	22	58.8	31.8	19.5	12.7
RH-8-BMC-12-12N	3/4	3/4	76.2	47.5	19.1	24.4	15.8	32	28.5	66.9	37.4	25.8	16.8
RH-8-BMC-16-16N	1	1	93.2	57.4	23.9	31.2	22.3	41	38	81	45.2	33.7	19
RH-8-BMC-20-20N	1 1/4	1 1/4	110.5	72.5	23.9	41.2	27.6	50	50	87.5	49.5	42.5	19
RH-8-BMC-24-24N	1 1/2	1 1/2	122.8	79.1	26.2	50	34	60	57	95.5	51.5	50.5	19

#### METRIC OD Tubes x Male NPT Threads

Model No.	T Tube OD	P NPT Male	A	Ax	B	D	E min.	F A/F	G A/F	H	Hx	Panel Hole Drill Size	Max Panel Thickness
RH-8-BMC-3m-2N	3	1/8	46.4	31.2	9.6	12.9	2.4	11	11	39.8	24.6	8.3	12.7
RH-8-BMC-6m-2N	6	1/8	49.5	33.5	9.6	15.3	4.8	16	14	42.2	24.2	11.5	10.2
RH-8-BMC-10m-4N	10	1/4	57.4	36.8	14.3	17.2	7.1	19	17	50	29.5	14.7	11.2
RH-8-BMC-10m-4N	10	3/8	57.4	36.8	14.3	17.2	7.1	19	17	50	29.5	14.7	11.2
RH-8-BMC-12m-6N	12	3/8	63.3	41.9	14.3	22	9.6	24	22	53	31.8	19.5	12.7
RH-8-BMC-12m-8N	12	1/2	68.8	41.9	19.1	22	10.4	24	22	58.8	31.8	19.5	12.7
RH-8-BMC-16m-8N	16	1/2	69.6	42.6	19.1	24.4	11.9	27	25	59.5	32.5	22.8	12.7
RH-8-BMC-22m-12N	22	3/4	83.3	53	19.1	26	15.8	36	32	73.2	42.9	29	19
RH-8-BMC-25m-16N	25	1	93.2	57.4	23.9	31.3	22.3	41	38	81	45.2	33.7	19
RH-8-BMC-32m-20N	32	1 1/4	110.5	72.5	23.9	42	28.6	50	50	87.5	49.5	42.5	19
RH-8-BMC-38m-24N	38	1 1/2	122.8	79.1	26.2	49.4	33.7	60	57	95.5	51.5	50.5	19

**Note:** All dimensions are subject to change without notice. All dimensions are in mm unless specified



sales@realhydrofit.com  
reohydesales@gmail.com



www.realhydrofit.com



9869078630, 9167921882  
91 22 66573951/52/53, 23717488

10



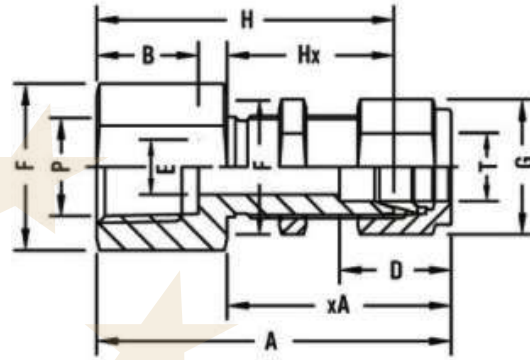
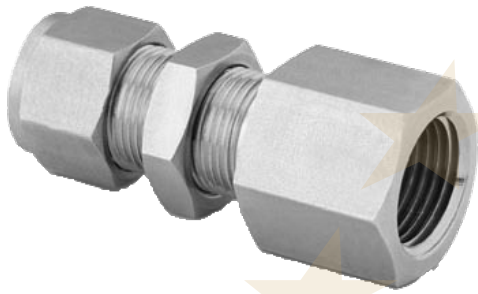


# ★★★★★ REAL HYDROFIT & CO.®

SPLTS: TUBE - PIPE FITTINGS - FLEXIBLE HOSES - HYDRAULIC FITTINGS

## TUBE FITTINGS

### BULKHEAD FEMALE CONNECTOR - MODEL NO. RH-9-BFC



#### INCH OD Tubes x Female NPT Threads

Model No.	T Tube OD	P NPT Female	A	Ax	B	D min.	E	F A/F	G A/F	H	Hx	Panel Hole Drill Size	Max Panel Thickness
RH-9-BFC-2-2N	1/8	1/8	44.7	31.2	10.4	12.7	2.4	14	11	38.1	24.6	8.3	12.7
RH-9-BFC-4-2N	1/4	1/8	47	33.5	10.4	15.3	4.8	16	14	39.7	26.2	11.5	10.2
RH-9-BFC-4-4N	1/4	1/4	51.5	33.5	15	15.3	4.8	19	14	44.2	26.2	11.5	10.2
RH-9-BFC-6-4N	3/8	1/4	54.8	36.8	15	16.8	7.1	19	17	47.5	29.5	14.7	11.2
RH-9-BFC-8-6N	1/2	3/8	61.7	41.9	15	22.9	10.4	24	22	51.6	31	19.5	12.7
RH-9-BFC-8-8N	1/2	1/2	66.7	41.9	19.8	22.9	10.4	25	22	56.6	31	19.5	12.7
RH-9-BFC-10-8N	5/8	1/2	67.6	42.7	19.8	22.9	12.7	25	25	57.4	32.5	22.6	12.7
RH-9-BFC-12-8N	3/4	1/2	72.4	47.5	19.8	24.4	16	36	28	62.3	37.4	25.8	16.8
RH-9-BFC-12-12N	3/4	3/4	74.7	47.5	20.6	24.4	16	36	28	64.3	37.4	25.8	16.8
RH-9-BFC-16-12N	1	3/4	84.3	57.4	20.6	31.2	16	36	38	72.1	45.2	33.7	19
RH-9-BFC-16-16N	1	1	93.2	57.4	25.4	31.2	22.2	41	38	81	45.2	33.7	19
RH-9-BFC-20-20N	1.1/4	1.1/4	105.7	69.9	25.4	41.2	27.6	50	50	83.5	47.7	41.6	19
RH-9-BFC-24-24N	1.1/2	1.1/2	144.5	76.4	27.6	50	34	60	57	87.4	49.3	49.6	19

#### METRIC OD Tubes x Female NPT Threads

Model No.	T Tube OD	P NPT Female	A	Ax	B	D min.	E	F A/F	G A/F	H	Hx	Panel Hole Drill Size	Max Panel Thickness
RH-9-BFC-3m-2N	3	1/8	44.7	31.2	10.4	12.9	2.4	14	11	38.1	24.6	8.3	12.7
RH-9-BFC-6m-4N	6	1/4	51.6	33.6	15	15.3	4.8	19	14	44.2	26.2	11.5	10.2
RH-9-BFC-10m-4N	10	3/8	56.8	37	15	17.2	7.9	22	19	49.2	29.4	16.3	11.2
RH-9-BFC-12m-6N	12	3/8	61.8	41.9	15	22.8	9.5	22	22	51.7	31.8	19.5	12.7
RH-9-BFC-12m-8N	12	1/2	66.7	41.9	19.8	22.8	9.5	25	22	56.6	31.8	19.5	12.7
RH-9-BFC-16m-8N	16	1/2	67.5	42.6	20.6	24.4	12.7	25	25	57.4	32.5	22.8	12.7
RH-9-BFC-22m-12N	22	3/4	79.9	53	20.6	26	15.8	36	32	69.8	42.9	29	19
RH-9-BFC-25m-12N	25	3/4	84.3	57.4	20.6	31.2	15.8	36	38	72.1	45.2	33.7	19
RH-9-BFC-25m-16N	25	1	93.2	57.4	25.4	31.2	22.3	35	38	81	45.2	33.7	19
RH-9-BFC-32m-20N	32	1.1/4	105.7	69.9	25.4	42	27.6	50	50	83.5	44.7	41.6	19
RH-9-BFC-38m-24N	38	1.1/2	114.5	76.4	27.6	49.4	33.7	60	57	87.4	49.3	49.6	19

**Note:** All dimensions are subject to change without notice. All dimensions are in mm unless specified



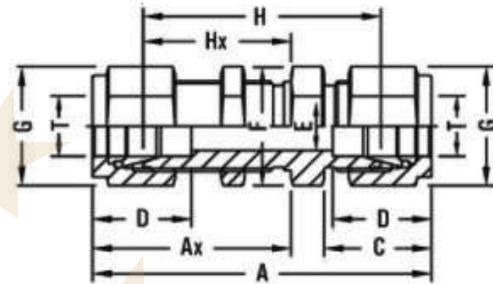
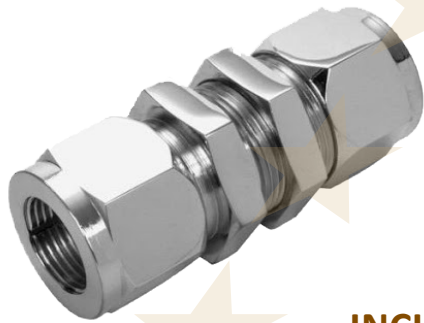


# ★★★★★ REAL HYDROFIT & CO.®

SPLTS: TUBE - PIPE FITTINGS - FLEXIBLE HOSES - HYDRAULIC FITTINGS

## TUBE FITTINGS

### BULKHEAD UNION - MODEL NO. RH-10-BU



#### INCH OD Tubes

Model No.	T Tube OD	A	Ax	C	D	E min.	F A/F	G A/F	H	Hx	Panel Hole Drill Size	Max Panel Thickness
RH-10-BU-1	1/16	31.5	17.3	11	8.6	1.3	11	8	23.8	13.5	5.2	3
RH-10-BU-2	1/8	51.3	31.2	15.3	12.7	2.4	12.7	11	38.1	24.6	8.3	12.7
RH-10-BU-4	1/4	57.6	33.6	17.8	15.3	4.8	16	14	43	26.2	11.5	10.1
RH-10-BU-5	5/16	60.7	35.8	18.5	16.3	6.3	17	16	46	28.5	13	11.1
RH-10-BU-6	3/8	62.2	36.8	19.3	7.1	7.1	22	17	47.5	29.5	14.6	11.1
RH-10-BU-8	1/2	71.1	41.9	21.8	22.9	10.4	24	22	50.8	31.8	19.5	12.7
RH-10-BU-10	5/8	72.6	42.7	21.8	24.4	12.7	27	25	52.3	32.5	22.6	12.7
RH-10-BU-12	3/4	79	47.5	21.8	24.4	16	32	28.5	58.6	37.4	25.8	16.8
RH-10-BU-16	1	95.6	57.4	26.4	31.2	22.3	36	38	71.3	45.2	33.7	19
RH-10-BU-20	1.1/4	123.2	69.9	38.9	41.2	27.6	50	50	79	47.7	41.6	19
RH-10-BU-24	1.1/2	139.2	76.4	45.2	50	34	60	57	84.8	49.3	49.6	19
RH-10-BU-32	2	180.4	93.7	62.7	67.6	46	70	76	105.6	56.4	67	19

#### METRIC OD Tubes

Model No.	T Tube OD	A	Ax	C	D	E min.	F A/F	G A/F	H	Hx	Panel Hole Drill Size	Max Panel Thickness
RH-10-BU-3m	3	51.3	31.2	15.3	12.9	2.4	12.7	11	38.1	24.6	8.3	12.7
RH-10-BU-6m	6	57.7	33.6	17.7	15.3	4.8	16	14	42.9	26.2	11.5	10.2
RH-10-BU-8m	8	61	36.1	18.6	16.2	6.3	17	16	46	28.6	13.1	11.2
RH-10-BU-10m	10	63.7	37	19.5	17.2	7.9	22	19	48.5	29.4	16.3	11.2
RH-10-BU-12m	12	71	41.9	22	22.8	9.5	24	22	50.8	31.8	19.5	12.7
RH-10-BU-14m	14	72.5	42.6	22	24.4	11.1	27	25	52.3	32.5	22.5	12.7
RH-10-BU-15m	15	72.5	42.6	22	24.4	11.9	27	25	52.3	32.5	22.8	12.7
RH-10-BU-16m	16	72.5	42.6	22	24.4	12.7	27	25	52.3	32.5	22.8	12.7
RH-10-BU-18m	18	78.9	47.4	22	24.4	15.1	32	28	58.7	37.3	26	16.8
RH-10-BU-20m	20	84.5	53	22	26	15.8	36	32	64.3	42.9	29	19
RH-10-BU-25m	25	95.6	57.4	26.4	31.2	22.3	41	38	71.3	45.2	33.7	19
RH-10-BU-30m	30	123.7	70.2	39.2	39.6	26.2	50	46	80.5	48.6	40.5	19
RH-10-BU-32m	32	128.3	72.5	41.6	42	27.6	50	50	82.3	49.5	42.5	19
RH-10-BU-38m	38	144.6	79.1	47.9	49.4	33.7	60	57	89.4	51.5	50.5	19

Note: All dimensions are subject to change without notice. All dimensions are in mm unless specified

sales@realhydrofit.com  
reohydesales@gmail.com

www.realhydrofit.com

9869078630, 9167921882  
91 22 66573951/52/53, 23717488



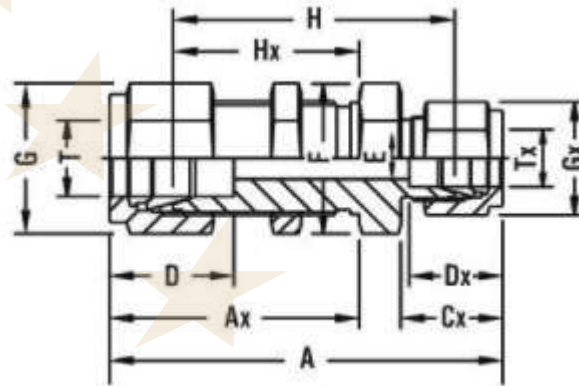
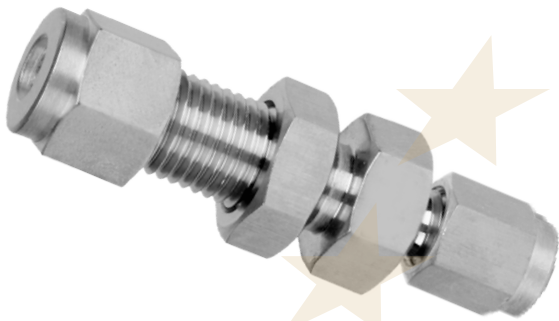


# ★★★★★ REAL HYDROFIT & CO.®

SPLTS: TUBE - PIPE FITTINGS - FLEXIBLE HOSES - HYDRAULIC FITTINGS

## TUBE FITTINGS

### BULKHEAD REDUCING UNION - MODEL NO. RH-11-BRU



#### INCH OD Tubes

Model No.	T Tube OD	T Tube OD	A	Ax	Cx	D	Dx	E min.	F A/F	G A/F	Gx A/F	H	Hx	Panel Hole Drill Size	Max Panel Thickness
RH-11-BRU-4-2	1/4	1/8	55.2	33.5	15.3	15.3	12.7	2.4	16	14	11	41.2	26.2	11.5	10.2
RH-11-BRU-6-4	3/8	1/4	60.7	36.6	17.8	16.8	15.3	4.8	22	17	14	46	29.5	14.6	11.2
RH-11-BRU-8-4	1/2	1/4	66.8	41.9	17.8	22.4	15.3	4.8	24	22	14	49.2	31.8	19.5	12.7
RH-11-BRU-8-6	1/2	3/8	66.8	41.9	17.8	22.4	16.8	7.1	24	22	17	49.2	31.8	19.5	12.7

#### METRIC OD Tubes

Model No.	T Tube OD	T Tube OD	A	Ax	Cx	D	Dx	E min.	F A/F	G A/F	Gx A/F	H	Hx	Panel Hole Drill Size	Max Panel Thickness
RH-11-BRU-6m-3m	6	3	56	33.6	17.7	15.3	12.9	2.4	16	14	11	41.2	26.2	11.5	10.2
RH-11-BRU-8m-6m	8	6	61	36.1	18.6	16.2	15.3	4.8	17	16	14	48	28.6	13.1	11.2
RH-11-BRU-10m-6m	10	6	63.7	37	19.5	17.2	15.3	4.8	22	19	14	48.5	29.4	16.3	11.2
RH-11-BRU-12m-6m	12	6	71	41.9	22	22.8	15.3	4.8	24	22	14	50.8	31.8	19.5	12.7
RH-11-BRU-12m-10m	12	10	71	41.9	22	22.8	17.2	7.9	24	22	17	50.8	31.8	19.5	12.7

**Note:** All dimensions are subject to change without notice. All dimensions are in mm unless specified





# ★★★★★ REAL HYDROFIT & CO.®

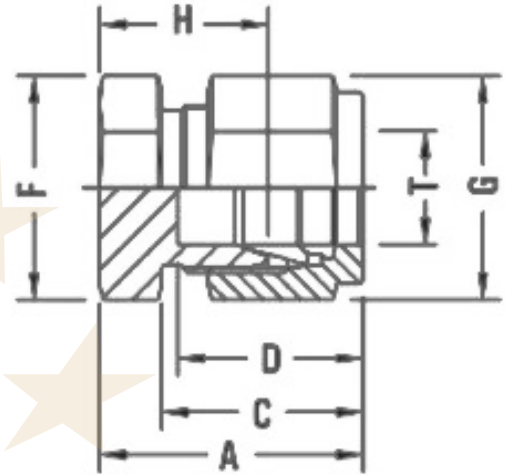
SPLTS: TUBE - PIPE FITTINGS - FLEXIBLE HOSES - HYDRAULIC FITTINGS

## TUBE FITTINGS

### TUBE END CLOSURE - MODEL NO. RH-12-TC

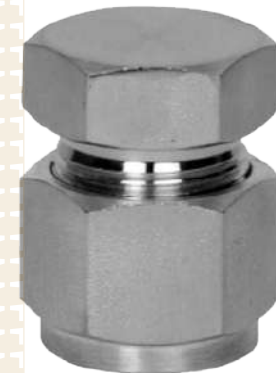
#### INCH OD Tubes

Model No.	T Tube OD	A	C	D	F A/F	G A/F	H
RH-12-TC-1	1/16	13	11	8.6	11	8	11.2
RH-12-TC-2	1/8	20	15.3	12.7	12.7	11	13.5
RH-12-TC-4	1/4	23.4	17.8	15.3	14	14	16
RH-12-TC-5	5/16	24.4	18.5	16.3	16	16	17
RH-12-TC-6	3/8	25.7	19.3	16.8	17	17	18.3
RH-12-TC-8	1/2	29.2	21.8	22.9	22	22	19
RH-12-TC-10	5/8	30	21.8	24.4	24	25	19.8
RH-12-TC-12	3/4	31.5	21.8	24.4	27	28.5	21.4
RH-12-TC-14	7/8	34	21.8	25.9	35	32	23.9
RH-12-TC-16	1	38.4	26.4	31.2	35	38	26.2
RH-12-TC-20	1.1/4	53.3	38.9	41.2	46	50	31.2
RH-12-TC-24	1.1/2	64.5	45.2	50	55	57	37.4
RH-12-TC-32	2	68	62.7	67.6	70	76	49.3



#### METRIC OD Tubes

Model No.	T Tube OD	A	C	D	F A/F	G A/F	H
RH-12-TC-3m	3	20.1	15.3	12.9	11	11	13.5
RH-12-TC-6m	6	23.1	17.7	15.3	14	14	15.7
RH-12-TC-8m	8	24.5	18.6	16.2	16	16	17
RH-12-TC-10m	10	26.6	19.5	17.2	17	19	19
RH-12-TC-12m	12	29.1	22	22.8	20.5	22	19
RH-12-TC-14m	14	29.9	22	24.4	24	25	19.8
RH-12-TC-15m	15	29.9	22	24.4	24	25	19.8
RH-12-TC-16m	16	29.9	22	24.4	24	25	19.8
RH-12-TC-18m	18	31.4	22	24.4	27	28	21.3
RH-12-TC-20m	20	34	22	26	32	32	23.9
RH-12-TC-22m	22	34	22	26	32	32	23.9
RH-12-TC-25m	25	38.5	26.5	31.3	35	38	26.2
RH-12-TC-28m	28	48.5	36.6	36.6	41	46	27.7
RH-12-TC-30m	30	53.4	39.2	39.6	46	50	31.8
RH-12-TC-32m	32	55.8	41.6	42	46	50	32.8
RH-12-TC-38m	38	65.4	47.9	49.4	55	57	37.8



**Note:** All dimensions are subject to change without notice. All dimensions are in mm unless specified



sales@realhydrofit.com  
reohydesales@gmail.com



www.realhydrofit.com



9869078630, 9167921882  
91 22 66573951/52/53, 23717488



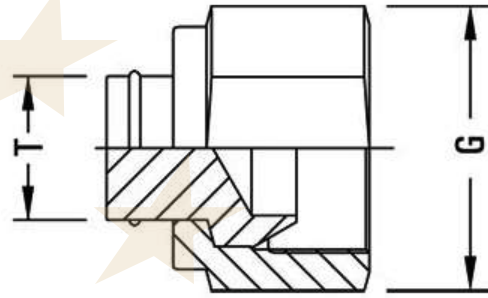
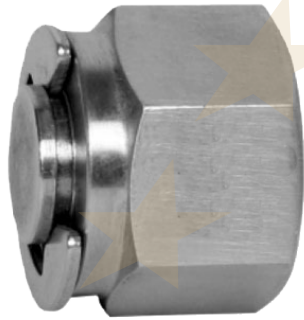


# ★★★★★ REAL HYDROFIT & CO.®

SPLTS: TUBE - PIPE FITTINGS - FLEXIBLE HOSES - HYDRAULIC FITTINGS

## TUBE FITTINGS

### FITTING END CLOSURE - MODEL NO. RH-13-TP



#### INCH OD Tubes

Model No.	T Tube OD	G A/F
RH-13-TP-1	1/16	8
RH-13-TP-2	1/8	11
RH-13-TP-4	1/4	14
RH-13-TP-5	5/16	16
RH-13-TP-6	3/8	17
RH-13-TP-8	1/2	22
RH-13-TP-10	5/8	25
RH-13-TP-12	3/4	28.5
RH-13-TP-14	7/8	32
RH-13-TP-16	1	38
RH-13-TP-20	1.1/4	50
RH-13-TP-24	1.1/2	57
RH-13-TP-32	2	76

#### METRIC OD Tubes

Model No.	T Tube OD	G A/F
RH-13-TP-3m	3	11
RH-13-TP-6m	6	14
RH-13-TP-8m	8	16
RH-13-TP-10m	10	19
RH-13-TP-12m	12	22
RH-13-TP-14m	14	25
RH-13-TP-15m	15	25
RH-13-TP-16m	16	25
RH-13-TP-18m	18	28
RH-13-TP-20m	20	32
RH-13-TP-22m	22	32
RH-13-TP-25m	25	38
RH-13-TP-28m	28	46
RH-13-TP-30m	30	50
RH-13-TP-32m	32	50
RH-13-TP-38m	38	57

# REOHYDE

**Note: All dimensions are subject to change without notice. All dimensions are in mm unless specified**





# REAL HYDROFIT & CO.®

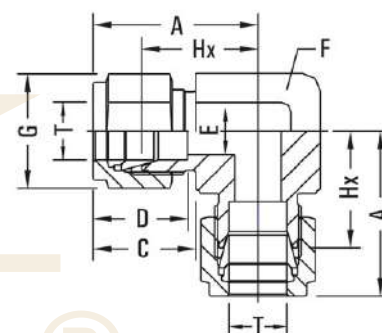
SPLTS: TUBE - PIPE FITTINGS - FLEXIBLE HOSES - HYDRAULIC FITTINGS

## TUBE FITTINGS

### UNION ELBOW - MODEL NO. RH-14-UE

INCH OD Tubes

Model No.	T Tube OD	A	C	D	E min.	F A/F	G	Hx
RH-14-UE-1	1/16	17.8	11	8.6	1.3	11	8	14
RH-14-UE-2	1/8	22.4	15.3	12.7	2.4	12.7	11	15.8
RH-14-UE-4	1/4	26.9	17.8	15.3	4.8	12.7	14	19.6
RH-14-UE-5	5/16	28.7	18.5	16.3	6.3	16	16	21.3
RH-14-UE-6	3/8	30.5	19.3	16.8	7.1	15.5	17	23.2
RH-14-UE-8	1/2	36	21.8	22.9	10.4	20.5	22	25.9
RH-14-UE-10	5/8	38.1	21.8	24.4	12.7	27	25	27.9
RH-14-UE-12	3/4	39.9	21.8	24.4	15.8	27	28.5	29.7
RH-14-UE-14	7/8	44.7	21.8	25.9	18.2	36	32	34.6
RH-14-UE-16	1	49	26.4	31.2	22.3	36	38	36.8
RH-14-UE-20	1.1/4	66.6	38.9	41.2	27.6	46	50	44.5
RH-14-UE-24	1.1/2	78	45.2	50	34	55	57	50.8
RH-14-UE-32	2	107.2	62.7	67.6	46	70	76	69.9



METRIC OD Tubes

Model No.	T Tube OD	A	C	D	E min.	F A/F	G	Hx
RH-14-UE-3m	3	22.3	15.3	12.9	2.4	12.7	11	15.7
RH-14-UE-6m	6	27	17.7	15.3	4.8	12.7	14	19.6
RH-14-UE-8m	8	28.8	18.6	16.2	6.3	15.5	16	21.3
RH-14-UE-10m	10	31.5	19.5	17.2	7.9	17	19	23.9
RH-14-UE-12m	12	36	22	22.8	9.5	20.5	22	25.9
RH-14-UE-14m	14	38	22	24.4	11.1	27	27	27.9
RH-14-UE-15m	15	38	22	24.4	11.9	27	27	27.9
RH-14-UE-16m	16	38	22	24.4	12.7	27	27	27.9
RH-14-UE-18m	18	39.8	22	24.4	15.1	27	28	29.7
RH-14-UE-20m	20	44.6	22	26	15.9	32	32	34.5
RH-14-UE-22m	22	44.6	22	26	18.3	32	32	34.5
RH-14-UE-25m	25	49.1	26.5	31.3	21.8	36	38	36.8
RH-14-UE-28m	28	64	36.6	36.6	21.8	41	46	43.5
RH-14-UE-30m	30	69.9	39.2	39.6	26.2	46	50	48.3
RH-14-UE-32m	32	72.3	41.6	42	28.6	46	50	49.3
RH-14-UE-38m	38	84	47.9	49.4	33.7	55	57	56.4

**Note:** All dimensions are subject to change without notice. All dimensions are in mm unless specified



sales@realhydrofit.com  
reohydesales@gmail.com



www.realhydrofit.com



9869078630, 9167921882  
91 22 66573951/52/53, 23717488



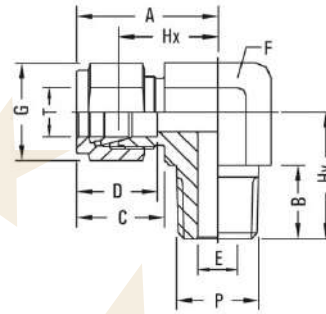
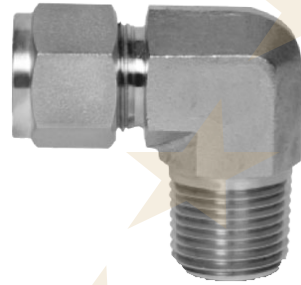


# ★★★★★ REAL HYDROFIT & CO.®

SPLTS: TUBE - PIPE FITTINGS - FLEXIBLE HOSES - HYDRAULIC FITTINGS

## TUBE FITTINGS

### MALE ELBOW - MODEL NO. RH-15-ME



#### INCH OD Tubes x Male NPT Thread

Model No.	T Tube OD	P NPT Male	A	B	C	D	E min.	F A/F	G A/F	Hx	Hy
RH-15-ME-1-1N	1/16	1/16	19	9.6	10.9	8.6	1.3	11	11	15.3	17.8
RH-15-ME-1-2N	1/16	1/8	19	9.6	10.9	8.6	1.3	11	11	15.3	17.8
RH-15-ME-2-2N	1/8	1/8	23.6	9.6	15.3	12.7	2.4	12.7	11	17	17.8
RH-15-ME-2-4N	1/8	1/4	24.6	14.3	15.3	12.7	2.4	14	11	18	23.4
RH-15-ME-4-2N	1/4	1/8	26.9	9.6	17.8	5.3	4.8	14	14	19.6	18.8
RH-15-ME-4-4N	1/4	1/4	26.9	14.3	17.8	15.3	4.8	14	14	19.6	23.4
RH-15-ME-4-6N	1/4	3/8	29.7	14.3	17.8	15.3	4.8	19	14	22.4	26.2
RH-15-ME-4-8N	1/4	1/2	31.8	19.1	17.8	15.3	4.8	22	14	24.4	33
RH-15-ME-5-4N	5/16	1/4	28.7	9.6	18.5	16.3	6.3	14	16	21.3	24.4
RH-15-ME-6-2N	3/8	1/8	30.5	9.6	19.3	16.8	4.8	17	17	23.1	20.9
RH-15-ME-6-4N	3/8	1/4	30.5	14.3	19.3	16.8	7.1	17	17	23.1	25.4
RH-15-ME-6-6N	3/8	3/8	31.2	14.3	19.3	16.8	7.1	19	17	23.9	26.2
RH-15-ME-6-8N	3/8	1/2	33.3	19.1	19.3	16.8	7.1	22	17	25.9	33
RH-15-ME-8-4N	1/2	1/4	36	14.3	21.8	22.9	4.8	20.5	22	25.9	28.2
RH-15-ME-8-6N	1/2	3/8	36	14.3	21.8	22.9	9.6	20.5	22	25.9	28.2
RH-15-ME-8-8N	1/2	1/2	36	19.1	21.8	22.9	10.4	22	22	25.9	33
RH-15-ME-8-12N	1/2	3/4	39.9	19.1	21.8	22.9	10.4	27	22	29.7	36.8
RH-15-ME-10-8N	5/8	1/2	38.1	19.1	21.8	24.4	11.9	24	25	27.9	35
RH-15-ME-12-8N	3/4	1/2	39.9	19.1	21.8	24.4	11.9	27	28.5	29.7	36.8
RH-15-ME-12-12N	3/4	3/4	39.9	19.1	21.8	24.4	15.8	27	28.5	29.7	36.8
RH-15-ME-14-12N	7/8	3/4	44.7	19.1	21.8	25.9	15.8	27	32	34.5	41.6
RH-15-ME-16-12N	1	3/4	49	19.1	26.4	31.2	15.8	36	38	36.8	41.6
RH-15-ME-16-16N	1	1	49	23.8	26.4	31.2	22.3	36	38	36.8	46.5
RH-15-ME-20-20N	1.1/4	1.1/4	66.5	23.8	38.8	41.1	27.6	46	50	44.5	47.8
RH-15-ME-24-24N	1.1/2	1.1/2	78	26.2	45.2	50	34	55	57	50.8	60.4
RH-15-ME-32-32N	2	2	107.2	26.9	62.7	67.6	46	70	76	69.9	70.6





# ★★★★★ REAL HYDROFIT & CO.®

SPLTS: TUBE - PIPE FITTINGS - FLEXIBLE HOSES - HYDRAULIC FITTINGS

## TUBE FITTINGS

### MALE ELBOW - MODEL NO. RH-15-ME

#### METRIC OD Tubes x Male NPT Threads

Model No.	T Tube OD	P NPT Male	A	B	C	D	E min.	F A/F	G A/F	Hx	Hy
RH-15-ME-3m-2N	3	1/8	23.6	9.6	15.3	12.9	2.4	11	11	17	17.8
RH-15-ME-3m-4N	3	1/4	24.6	14.3	15.3	12.9	2.4	14	11	18	23.4
RH-15-ME-6m-2N	6	1/8	27	9.6	17.7	15.3	4.8	14	14	19.6	18.8
RH-15-ME-6m-4N	6	1/4	27	14.3	17.7	15.3	4.8	14	14	19.6	23.4
RH-15-ME-6m-6N	6	3/8	29.8	14.3	17.7	15.3	4.8	19	14	22.4	26.2
RH-15-ME-6m-8N	6	1/2	31.8	19.1	17.7	15.3	4.8	22	14	24.4	33
RH-15-ME-8m-2N	8	1/8	28.8	9.6	18.6	16.2	4.8	14	16	21.3	19.8
RH-15-ME-8m-4N	8	1/4	28.8	14.3	18.6	16.2	6.3	14	16	21.3	24.4
RH-15-ME-8m-6N	8	3/8	30.6	14.3	18.6	16.2	6.3	19	16	23.1	26.2
RH-15-ME-8m-8N	8	1/2	32.6	19.1	18.6	16.2	6.3	22	16	25.1	33
RH-15-ME-10m-2N	10	1/8	31.5	9.6	19.5	17.2	4.8	17	19	23.9	21.6
RH-15-ME-10m-4N	10	1/4	31.5	14.3	19.5	17.2	7.1	17	19	23.9	26.2
RH-15-ME-10m-6N	10	3/8	31.5	14.3	19.5	17.2	7.9	19	19	23.9	26.2
RH-15-ME-10m-8N	10	1/2	33	19.1	19.5	17.2	7.9	22	19	25.9	33
RH-15-ME-12m-4N	12	1/4	36	14.3	22	22.8	7.1	20.5	22	25.9	26.2
RH-15-ME-12m-6N	12	3/8	36	14.3	22	22.8	9.5	20.5	22	25.9	38.2
RH-15-ME-12m-8N	12	1/2	36	19.1	22	22.8	9.5	22	22	25.9	33
RH-15-ME-12m-12N	12	3/4	39.8	19.1	22	22.8	9.5	27	22	29.7	36.8
RH-15-ME-15m-8N	15	1/2	38	19.1	22	24.4	11.9	24	25	27.9	35.1
RH-15-ME-16m-8N	16	1/2	38	19.1	22	24.4	11.9	24	25	27.9	35.1
RH-15-ME-16m-12N	16	3/4	39.8	19.1	22	24.4	27.7	27	25	29.7	36.8
RH-15-ME-18m-8N	18	1/2	39.8	19.1	22	24.4	11.9	27	30	29.7	36.8
RH-15-ME-18m-12N	18	3/4	39.8	19.1	22	24.4	15.1	27	30	29.7	36.8
RH-15-ME-20m-8N	20	1/2	44.6	19.1	22	26	11.9	32	32	34.5	41.7
RH-15-ME-20m-12N	20	3/4	44.6	19.1	22	26	15.9	32	32	34.5	41.7
RH-15-ME-22m-12N	22	3/4	44.6	19.1	22	26	15.9	32	32	34.5	41.7
RH-15-ME-22m-16N	22	1	44.6	23.9	22	26	18.3	36	32	34.5	46.5
RH-15-ME-25m-12N	25	3/4	49.1	19.1	26.5	31.3	59.9	36	38	36.8	41.7
RH-15-ME-25m-16N	25	1	41.1	23.9	26.5	31.3	21.8	36	38	36.8	46.5
RH-15-ME-30m-20N	30	1.1/4	69.9	23.9	39.2	39.6	26.2	45	50	48.3	53.1
RH-15-ME-32m-20N	32	1.1/4	72.3	23.9	41.6	42	27.6	45	50	49.3	53.1
RH-15-ME-38m-24N	38	1.1/2	84	26.2	47.9	49.4	33.7	55	57	56.4	60.4

**Note:** All dimensions are subject to change without notice. All dimensions are in mm unless specified



sales@realhydrofit.com  
reohydesales@gmail.com



www.realhydrofit.com



9869078630, 9167921882  
91 22 66573951/52/53, 23717488

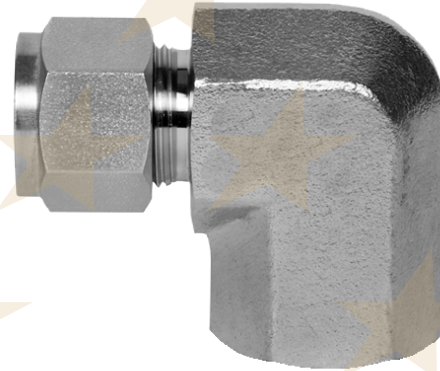




# ★★★★★ REAL HYDROFIT & CO.®

SPLTS: TUBE - PIPE FITTINGS - FLEXIBLE HOSES - HYDRAULIC FITTINGS

## TUBE FITTINGS FEMALE ELBOW - MODEL NO. RH-16-FE



### INCH OD Tubes x Female NPT Threads

Model No.	T Tube OD	P NPT Male	A	B	C	D	E min.	F A/F	G A/F	Hx	Hy
RH-16-FE-2-2N	1/8	1/8	24.6	10.4	15.3	12.7	2.4	14	11	18	19
RH-16-FE-2-4N	1/8	1/4	27.4	15	15.3	12.7	2.4	20	11	20.8	22.4
RH-16-FE-4-2N	1/4	1/8	26.9	10.4	17.8	15.3	4.8	14	14	19.6	19
RH-16-FE-4-4N	1/4	1/4	29.7	15	17.8	15.3	4.8	20.5	14	22.4	22.4
RH-16-FE-4-6N	1/4	3/8	31.8	15	17.8	15.3	4.8	22	14	24.4	22.4
RH-16-FE-4-8N	1/4	1/2	34.6	19.8	17.8	15.3	4.8	27	14	27.2	28.5
RH-16-FE-5-2N	5/16	1/8	28.7	10.4	17.8	15.3	6.3	19	14	21.4	19.1
RH-16-FE-5-4N	5/16	1/4	30.5	15	18.5	16.3	6.3	20.5	16	23.2	22.4
RH-16-FE-6-2N	3/8	1/8	30.5	10.4	19.3	16.8	7.1	17	17	23.2	19.1
RH-16-FE-6-4N	3/8	1/4	31.2	15	19.3	16.8	7.1	19	17	23.9	22.4
RH-16-FE-6-6N	3/8	3/8	33.3	15	19.3	16.8	7.1	22	17	25.9	22.4
RH-16-FE-6-8N	3/8	1/2	36	19.8	19.3	16.8	7.1	27	17	28.7	28.5
RH-16-FE-8-4N	1/2	1/4	36	15	21.8	22.9	7.1	20.5	22	25.9	22.4
RH-16-FE-8-6N	1/2	3/8	36	15	21.8	22.9	10.4	22	22	25.9	22.4
RH-16-FE-8-8N	1/2	1/2	38.9	19.8	21.8	22.9	10.4	25	22	28.7	28.5
RH-16-FE-10-6N	5/8	3/8	38.1	15	21.8	22.9	12.7	27	22	28	22.4
RH-16-FE-10-8N	5/8	1/2	39.9	19.8	21.8	24.4	12.7	27	25	29.7	28.5
RH-16-FE-12-8N	3/4	1/2	39.9	19.8	21.8	24.4	15.8	27	28.5	29.7	28.5
RH-16-FE-12-12N	3/4	3/4	44.7	20.6	21.8	24.4	15.8	36	28.5	34.6	31.8
RH-16-FE-14-12N	7/8	3/4	44.7	20.6	21.8	25.9	18.2	36	32	34.6	31.8
RH-16-FE-16-12N	1	3/4	49	20.6	26.4	31.2	22.3	36	38	36.8	31.8
RH-16-FE-16-16N	1	1	53.6	25.4	26.4	31.2	22.3	41	38	41.4	38.1

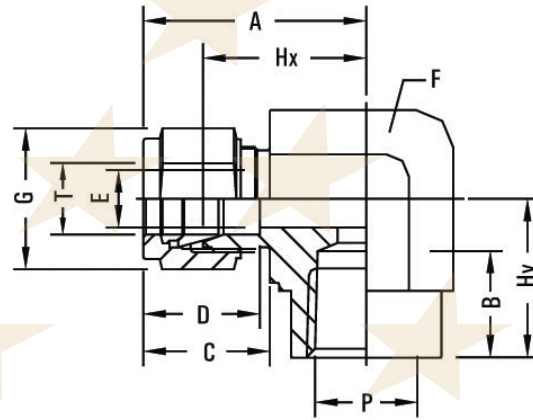




# ★★★★★ REAL HYDROFIT & CO.®

SPLTS: TUBE - PIPE FITTINGS - FLEXIBLE HOSES - HYDRAULIC FITTINGS

## TUBE FITTINGS FEMALE ELBOW - MODEL NO. RH-16-FE



### METRIC OD Tubes x Female NPT Threads

Model No.	T Tube OD	P NPT Male	A	B	C	D	E min.	F A/F	G A/F	Hx	Hy
RH-16-FE-3m-2N	3	1/8	24.6	10.4	15.3	12.9	2.4	14	11	18	19
RH-16-FE-6m-4N	3	1/4	27.4	15	15.3	12.9	2.4	20.5	11	20.8	22.4
RH-16-FE-6m-2N	6	1/8	27	10.4	17.7	15.3	4.8	14	14	19.6	19
RH-16-FE-6m-4N	6	1/4	29.8	15	17.7	15.3	4.8	20.5	14	22.4	22.4
RH-16-FE-6m-8N	6	1/2	34.6	19.8	17.7	15.3	4.8	27	14	27.2	28.5
RH-16-FE-8m-4N	8	1/4	30.6	15	18.6	16.2	6.3	20.5	16	23.1	22.4
RH-16-FE-8m-6N	8	3/8	32.6	15	18.6	16.2	6.3	22	16	25.1	22.4
RH-16-FE-10m-4N	10	1/4	33.5	15	19.5	17.2	7.9	20.5	19	25.9	22.4
RH-16-FE-10m-6N	10	3/8	33.5	15	19.5	17.2	7.9	22	19	25.9	22.4
RH-16-FE-12m-4N	12	1/4	36	15	22	22.8	9.5	20.5	22	25.9	22.4
RH-16-FE-12m-6N	12	3/8	36	15	22	22.8	9.5	22	22	25.9	22.4
RH-16-FE-12m-8N	12	1/2	38.8	19.8	22	22.8	9.5	27	22	28.7	28.5
RH-16-FE-16m-8N	16	1/2	39.5	19.8	22	24.4	12.7	27	25	29.7	28.5
RH-16-FE-25m-12N	25	3/4	49	20.6	26.5	31.3	22.3	36	38	36.8	31.8
RH-16-FE-25m-16N	25	1	53.6	25.4	26.5	31.3	22.3	41	38	41.4	38.1

**Note:** All dimensions are subject to change without notice. All dimensions are in mm unless specified



sales@realhydrofit.com  
reohydesales@gmail.com



www.realhydrofit.com



9869078630, 9167921882  
91 22 66573951/52/53, 23717488

20





# ★★★★★ REAL HYDROFIT & CO.®

SPLTS: TUBE - PIPE FITTINGS - FLEXIBLE HOSES - HYDRAULIC FITTINGS

## TUBE FITTINGS

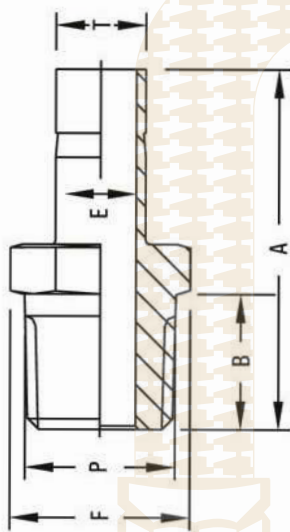
### MALE ADAPTER - MODEL NO. RH-17-MA

#### INCH OD Tubes x Male NPT Threads

Model No.	T Tube OD	P NPT Male	A	B	E min.	F A/F
RH-17-MA-2-2N	1/8	1/8	29.5	9.6	2.1	12.5
RH-17-MA-2-4N	1	1/4	34.8	14.4	2.1	14
RH-17-MA-4-2N	1/4	1/8	31.8	9.6	4.8	11
RH-17-MA-4-4N	1/4	1/4	37	14.3	4.8	14
RH-17-MA-4-6N	1/4	3/8	37.8	14.3	4.8	19
RH-17-MA-4-8N	1/4	1/2	43.4	19.1	4.8	22
RH-17-MA-6-4N	3/8	1/4	38.9	14.3	7.1	14
RH-17-MA-6-6N	3/8	3/8	39.6	14.3	7.1	19
RH-17-MA-6-8N	3/8	1/2	45.2	19.1	7.1	22
RH-17-MA-8-4N	1/2	1/4	44.5	14.3	7.1	14
RH-17-MA-8-6N	1/2	3/8	45.2	14.3	9.9	19
RH-17-MA-8-8N	1/2	1/2	50.8	19.1	9.9	22
RH-17-MA-12-12N	3/4	3/4	52.3	19.1	15	28
RH-17-MA-16-12N	1	1	66	23.8	20.3	36
RH-17-MA-20-20N	1.1/4	1.114	80.3	23.8	27.6	45
RH-17-MA-24-24N	1.1/2	1.1/2	94.5	26.2	33.2	55



#### METRIC OD Tubes x Male NPT Threads



Model No.	T Tube OD	P NPT Male	A	B	E min.	F A/F
RH-17-MA-3m-4N	3	1/4	34.8	9.6	2.1	14
RH-17-MA-6m-2N	6	1/8	32.8	14.3	4.6	14
RH-17-MA-6m-4N	6	1/4	38.1	14.3	4.6	14
RH-17-MA-8m-4N	8	1/4	39.1	14.3	6.2	14
RH-17-MA-10m-4N	10	1/4	39.9	14.3	7.7	14
RH-17-MA-10m-6N	10	3/8	40.6	14.3	7.7	19
RH-17-MA-12m-4N	12	1/4	46.5	14.3	7.1	14
RH-17-MA-12m-6N	12	3/8	46.5	14.3	9.1	19
RH-17-MA-12m-8N	12	1/2	52	14.3	9.1	22
RH-17-MA-25m-12N	25	3/4	62	19.1	15.7	28
RH-17-MA-25m-16N	25	1	66.8	23.8	15.7	36
RH-17-MA-30m-16N	30	1	79.2	23.8	22.2	41
RH-17-MA-30m-20N	30	1.1/4	80	23.8	24.6	45
RH-17-MA-32m-20N	32	1.1/4	81	23.8	27.4	46
RH-17-MA-38m-24N	38	1.1/2	92.2	26.2	33.3	55

**Note:** All dimensions are subject to change without notice.  
All dimensions are in mm unless specified





# ★★★★★ REAL HYDROFIT & CO.®

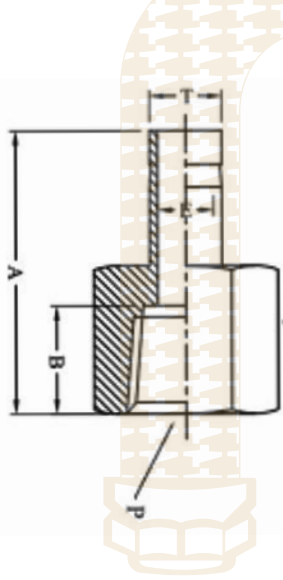
SPLTS: TUBE - PIPE FITTINGS - FLEXIBLE HOSES - HYDRAULIC FITTINGS

## TUBE FITTINGS

### FEMALE ADAPTER - MODEL NO. RH-18-FA

INCH OD Tubes x Female NPT Threads

Model No.	T Tube OD	P NPT Male	A	B	E min.	F A/F
RH-18-FA-2-2N	1/8	1/8	29.5	9.6	2.1	12.5
RH-18-FA-2-4N	1	1/4	34.8	14.4	2.1	14
RH-18-FA-4-2N	1/4	1/8	31.8	9.6	4.8	11
RH-18-FA-4-4N	1/4	1/4	37	14.3	4.8	14
RH-18-FA-4-6N	1/4	3/8	37.8	14.3	4.8	19
RH-18-FA-4-8N	1/4	1/2	43.4	19.1	4.8	22
RH-18-FA-6-4N	3/8	1/4	38.9	14.3	7.1	14
RH-18-FA-6-6N	3/8	3/8	39.6	14.3	7.1	19
RH-18-FA-6-8N	3/8	1/2	45.2	19.1	7.1	22
RH-18-FA-8-4N	1/2	1/4	44.5	14.3	7.1	14
RH-18-FA-8-6N	1/2	3/8	45.2	14.3	9.9	19
RH-18-FA-8-8N	1/2	1/2	50.8	19.1	9.9	22
RH-18-FA-12-12N	3/4	3/4	52.3	19.1	15	28
RH-18-FA-16-12N	1	1	66	23.8	20.3	36
RH-18-FA-20-20N	1.1/4	1.114	80.3	23.8	27.6	45
RH-18-FA-24-24N	1.1/2	1.1/2	94.5	26.2	33.2	55



METRIC OD Tubes x Female NPT Threads

Model No.	T Tube OD	P NPT Male	A	B	E min.	F A/F
RH-18-FA-3m-4N	3	1/4	34.8	9.6	2.1	14
RH-18-FA-6m-2N	6	1/8	32.8	14.3	4.6	14
RH-18-FA-6m-4N	6	1/4	38.1	14.3	4.6	14
RH-18-FA-8m-4N	8	1/4	39.1	14.3	6.2	14
RH-18-FA-10m-4N	10	1/4	39.9	14.3	7.7	14
RH-18-FA-10m-6N	10	3/8	40.6	14.3	7.7	19
RH-18-FA-12m-4N	12	1/4	46.5	14.3	7.1	14
RH-18-FA-12m-6N	12	3/8	46.5	14.3	9.1	19
RH-18-FA-12m-8N	12	1/2	52	14.3	9.1	22
RH-18-FA-25m-12N	25	3/4	62	19.1	15.7	28
RH-18-FA-25m-16N	25	1	66.8	23.8	15.7	36
RH-18-FA-30m-16N	30	1	79.2	23.8	22.2	41
RH-18-FA-30m-20N	30	1.1/4	80	23.8	24.6	45
RH-18-FA-32m-20N	32	1.1/4	81	23.8	27.4	46
RH-18-FA-38m-24N	38	1.1/2	92.2	26.2	33.3	55

**Note:** All dimensions are subject to change without notice. All dimensions are in mm unless specified



sales@realhydrofit.com  
reohydesales@gmail.com



www.realhydrofit.com



9869078630, 9167921882  
91 22 66573951/52/53, 23717488



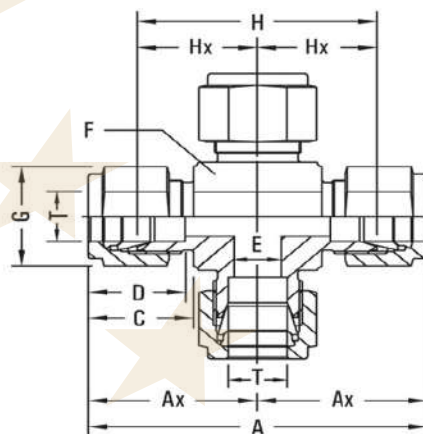


# REAL HYDROFIT & CO.®

SPLTS: TUBE - PIPE FITTINGS - FLEXIBLE HOSES - HYDRAULIC FITTINGS

## TUBE FITTINGS

### UNION CROSS- MODEL NO. RH-19-UC



#### INCH OD Tubes x Male NPT Threads

Model No.	T Tube OD	A	Ax	C	D	E min.	F A/F	G A/F	H	Hx
RH-19-UC-2	1/8	44.8	22.4	15.3	12.7	2.4	12.7	11	31.6	15.8
RH-19-UC-4	1/4	53.8	26.9	17.8	15.3	4.8	12.7	14	39.2	19.6
RH-19-UC-6	3/8	61	30.5	19.3	16.8	7.1	15.5	17	46.4	23.2
RH-19-UC-8	1/2	72	36	21.8	22.9	10.4	20.5	22	51.8	25.9
RH-19-UC-12	3/4	79.8	39.9	21.8	24.4	15.8	27	28.5	59.4	29.7
RH-19-UC-16	1	98	49	26.4	31.2	22.3	36	38	73.6	36.8

#### METRIC OD Tubes x Male NPT Threads

Model No.	T Tube OD	A	Ax	C	D	E min.	F A/F	G A/F	H	Hx
RH-19-UC-3m	3	44.6	22.3	15.3	12.9	2.4	12.7	11	31.4	15.7
RH-19-UC-6m	6	54	27	17.7	15.3	4.8	12.7	14	39.2	19.6
RH-19-UC-8m	8	57.6	28.8	18.6	16.2	6.3	15.5	16	42.6	21.3
RH-19-UC-10m	10	63	31.5	19.5	17.2	7.9	17	19	47.8	23.9
RH-19-UC-12m	12	72	36	22	22.8	9.5	20.5	22	51.8	25.9
RH-19-UC-16m	16	76	38	22	24.4	12.7	27	25	55.8	27.9
RH-19-UC-22m	22	89.2	44.6	22	26	18.3	32	32	69	34.5
RH-19-UC-25m	25	98.2	49.1	26.5	31.3	21.8	36	38	73.6	36.8

**Note:** All dimensions are subject to change without notice. All dimensions are in mm unless specified





# ★★★★★ REAL HYDROFIT & CO.®

SPLTS: TUBE - PIPE FITTINGS - FLEXIBLE HOSES - HYDRAULIC FITTINGS

## TUBE FITTINGS

### UNION TEE - MODEL NO. RH-20-UT

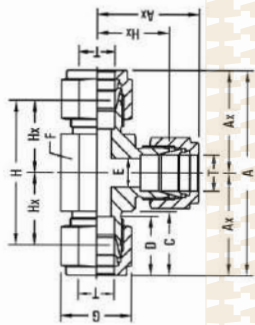
#### INCH OD Tubes

Model No.	T Tube OD	A	Ax	C	D	E min.	F A/F	G A/F	H	Hx
RH-20-UT-1	1/16	35.6	17.8	11	8.6	1.3	11	8	28	14
RH-20-UT-2	1/8	44.8	22.4	15.3	12.7	2.4	12.7	11	31.6	15.8
RH-20-UT-4	1/4	53.8	26.9	17.8	15.3	4.8	12.7	14	39.2	19.6
RH-20-UT-5	5/16	57.4	28.7	18.5	16.3	6.3	15.5	16	42.6	21.3
RH-20-UT-6	3/8	61	30.5	19.3	16.8	7.1	15.5	17	46.4	23.2
RH-20-UT-8	1/2	72	36	21.8	22.9	10.4	20.5	22	51.8	25.9
RH-20-UT-10	5/8	76.2	38.1	21.8	24.4	12.7	27	25	55.8	27.9
RH-20-UT-12	3/4	79.8	39.9	21.8	24.4	15.8	27	28.5	59.4	29.7
RH-20-UT-14	7/8	89.4	44.7	21.8	25.9	18.2	36	32	69.2	34.6
RH-20-UT-16	1	98	49	26.4	31.2	22.3	36	38	73.6	36.8
RH-20-UT-20	1.1/4	133.2	66.6	38.9	41.2	27.6	46	50	89	44.5
RH-20-UT-24	1.1/2	156	78	45.2	50	34	55	57	101.6	50.8
RH-20-UT-32	2	214.4	107.4	62.7	67.9	46	70	76	139.8	69.9



#### METRIC OD Tubes

Model No.	T Tube OD	A	Ax	C	D min.	E A/F	F A/F	G	H	Hx
RH-20-UT-3m	3	44.6	22.3	15.3	12.9	2.4	12.7	11	31.4	15.7
RH-20-UT-6m	6	54	27	17.7	15.3	4.8	12.7	14	39.2	19.6
RH-20-UT-8m	8	57.6	28.8	18.6	16.2	6.3	15.5	16	42.6	21.3
RH-20-UT-10m	10	63	31.5	19.5	17.2	7.9	17	19	47.8	23.9
RH-20-UT-12m	12	72	36	22	22.8	9.5	20.5	22	51.8	25.9
RH-20-UT-14m	14	76	38	22	24.4	11.1	27	25	55.8	27.9
RH-20-UT-15m	15	76	38	22	24.4	11.9	27	25	55.8	27.9
RH-20-UT-16m	16	76	38	22	24.4	12.7	27	25	55.8	27.9
RH-20-UT-18m	18	79.6	39.8	22	24.4	15.1	27	28	59.4	29.7
RH-20-UT-20m	20	89.2	44.6	22	26	15.9	32	32	69	34.5
RH-20-UT-22m	22	89.2	44.6	22	26	18.3	32	32	69	34.5
RH-20-UT-25m	25	98.2	49.1	26.5	31.3	21.8	36	38	73.6	36.8
RH-20-UT-28m	28	128	64	36.6	36.6	21.8	41	46	87	43.5
RH-20-UT-30m	30	139.8	69.9	39.2	39.6	26.2	46	50	96.6	48.3
RH-20-UT-32m	32	144.6	72.3	41.6	42	28.6	46	50	98.6	49.3
RH-20-UT-38m	38	168	84	47.9	49.4	33.7	55	57	112.8	56.4



**Note:** All dimensions are subject to change without notice. All dimensions are in mm unless specified



sales@realhydrofit.com  
reohydesales@gmail.com



www.realhydrofit.com



9869078630, 9167921882  
91 22 66573951/52/53, 23717488

24



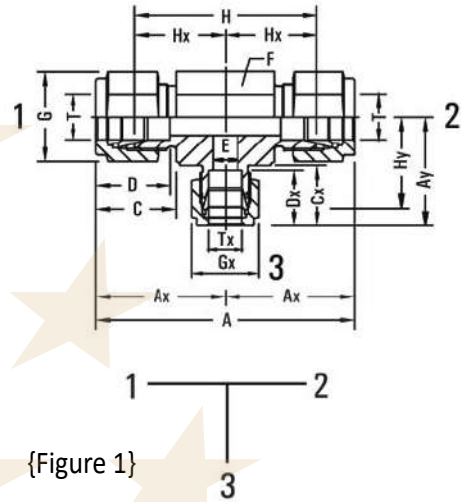
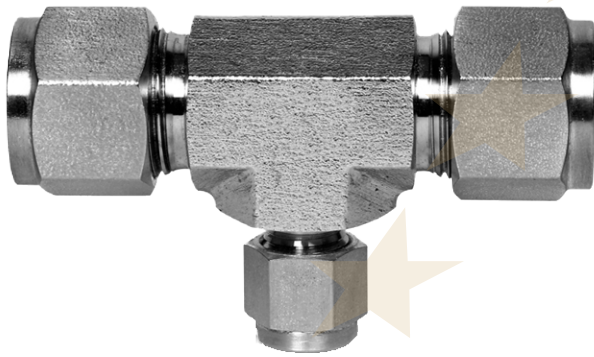


# REAL HYDROFIT & CO.®

SPLTS: TUBE - PIPE FITTINGS - FLEXIBLE HOSES - HYDRAULIC FITTINGS

## TUBE FITTINGS

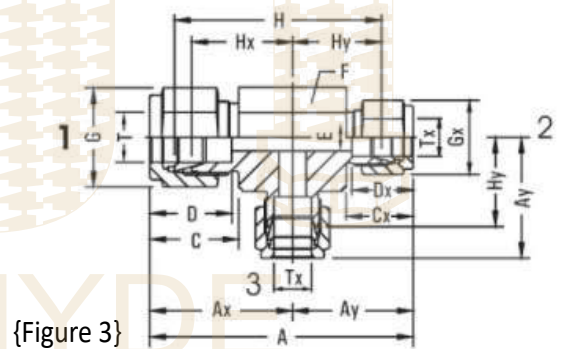
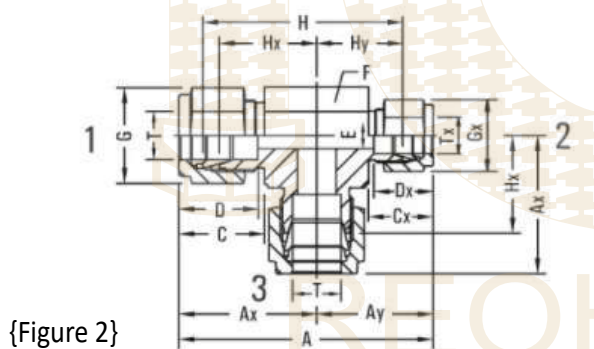
### REDUCING UNION TEE- MODEL NO. RH-21-RUT



#### INCH OD Tubes

{Figure 1}

Model No.	T Tube OD	Tx Tube OD	A	Ax	Ay	C	Cx	D	Dx	E min.	F A/F	G A/F	Gx A/F	H	Hx	Hy
RH-21-RUT-6/6/4	3/8	1/4	61	30.5	29	19.3	17.8	16.8	15.3	4.8	16	17	14	46.2	23.1	21.6
RH-21-RUT-8/8/4	1/2	1/4	72.2	36	31.8	21.8	17.8	22.9	15.3	4.8	20.5	22	14	51.8	25.9	24.4
RH-21-RUT-8/8/6	1/2	3/8	72.2	36	33.3	21.8	19.3	22.9	16.8	7.1	20.5	22	17	51.8	25.9	25.9
RH-21-RUT-12/12/6	3/4	3/8	79.8	39.9	37	21.8	19.3	24.4	16.8	7.1	27	28.5	17	59.4	29.7	29.7
RH-21-RUT-12/12/8	3/4	1/2	79.8	39.9	39.9	21.8	21.8	24.4	22.9	10.4	27	28.5	22	59.4	29.7	29.7
RH-21-RUT-16/16/6	1	3/8	98	49	41.9	26.4	19.3	31.2	16.8	7.1	36	38	17	73.6	36.8	34.5
RH-21-RUT-16/16/8	1	1/2	98	49	44.7	26.4	22.9	31.2	21.8	10.4	36	38	22	73.6	36.8	34.5
RH-21-RUT-16/16/12	1	3/4	98	49	44.7	26.4	24.4	31.2	24.4	15.8	36	38	28.5	73.6	36.8	34.5
RH-21-RUT-20/20/16	1.1/4	1	135.6	67.8	55.1	38.9	26.4	41.2	31.2	22.3	46	50	38	91.4	45.7	42.9
RH-21-RUT-24/24/16	1.1/2	1	157.5	78.7	60	44.7	26.4	50	31.2	22.3	55	57	38	103.2	51.6	47.8





# ★★★★★ REAL HYDROFIT & CO.®

SPLTS: TUBE - PIPE FITTINGS - FLEXIBLE HOSES - HYDRAULIC FITTINGS

## TUBE FITTINGS

### REDUCING UNION TEE- MODEL NO. RH-21-RUT

INCH OD Tubes {Figure 2}

Model No.	T Tube OD	Tx Tube OD	A	Ax	Ay	C	Cx	D	Dx	E min.	F A/F	G A/F	Gx A/F	H	Hx	Hy
RH-21-RUT-6/4/6	3/8	1/4	59.4	30.5	29	19.3	17.8	16.8	15.3	4.8	15.5	17	14	44.7	23.1	21.6
RH-21-RUT-8/4/8	1/2	1/4	67.7	36	31.7	21.8	17.8	22.9	15.3	4.8	20.5	22	14	50.2	25.9	24.3
RH-21-RUT-8/6/8	1/2	3/8	69.3	36	33.3	21.8	19.3	22.9	16.8	7.1	20.5	22	17	51.8	25.9	25.9
RH-21-RUT-12/6/12	3/4	3/8	77	39.9	37.1	21.8	19.3	24.4	16.8	7.1	27	28.5	17	59.4	29.7	29.7
RH-21-RUT-12/8/12	3/4	1/2	79.8	39.9	39.9	21.8	21.8	24.4	22.9	10.4	27	28.5	22	59.4	29.7	29.7
RH-21-RUT-16/6/16	1	3/8	98.9	49	41.9	26.4	19.3	31.2	16.8	7.1	36	38	17	71.3	36.8	34.5
RH-21-RUT-16/8/16	1	1/2	93.7	49	44.7	26.4	21.8	31.2	21.8	10.4	36	38	22	71.3	36.8	34.5
RH-21-RUT-16/12/16	1	3/4	93.7	49	44.7	26.4	21.8	31.2	24.4	15.8	36	38	28.5	71.3	36.8	34.5
RH-21-RUT-20/16/20	1.1/4	1	119.6	67.8	53	38.9	26.4	41.2	31.2	18.2	46	50	38	85.3	45.7	40.8
RH-21-RUT-24/20/24	1.1/2	1	150.9	78.7	72.9	45.2	38.9	50	41.3	27.6	55	57	38	101.6	50.8	50.8

INCH OD Tubes {Figure 3}

Model No.	T Tube OD	Tx Tube OD	A	Ax	Ay	C	Cx	D	Dx	E min.	F A/F	G A/F	Gx A/F	H	Hx	Hy
RH-21-RUT-6/4/4	3/8	1/4	59.6	30.6	29	19.3	17.8	16.8	15.3	4.8	15.5	17	14	44.8	23.2	21.6
RH-21-RUT-8/4/4	1/2	1/4	67.7	36	31.7	21.8	17.8	22.9	15.3	4.8	20.5	22	14	50.2	25.9	24.3
RH-21-RUT-8/6/6	1/2	3/8	69.3	36	33.2	21.8	19.3	22.9	16.8	7.1	20.5	22	17	51.8	25.9	25.9
RH-21-RUT-12/6/6	3/4	3/8	77	38.9	37	21.8	19.3	24.4	16.8	7.1	27	28.5	17	59.4	29.7	29.7
RH-21-RUT-12/8/8	3/4	1/2	79.8	39.9	39.9	21.8	21.8	24.4	22.9	10.4	27	28.5	22	59.4	29.7	29.7
RH-21-RUT-16/6/6	1	3/8	99.9	39.9	41.9	26.4	19.3	31.2	16.8	7.1	36	38	17	71.3	36.8	34.5
RH-21-RUT-16/8/8	1	1/2	93.7	49	44.7	26.4	22.9	31.2	21.8	10.4	36	38	22	71.3	36.8	34.5
RH-21-RUT-16/12/12	1	3/4	93.7	49	44.7	26.4	24.4	31.2	24.4	15.8	36	38	28.5	71.3	36.8	34.5
RH-21-RUT-20/16/16	1.1/4	1	122.9	67.8	55.1	38.9	26.4	41.2	31.2	22.3	46	50	38	88.6	45.7	42.9
RH-21-RUT-24/16/16	1.1/2	1	138.7	78.7	60	44.7	26.4	50	31.2	22.3	50	57	38	99.4	51.6	47.8

**NOTE: 1.** The order of the sizes is as per the designation (1-2-3) in figure shown above

**NOTE:** The combinations shown above are representative of various possibilities. Other combinations not shown are also available. Please consult us.

**Note:** All dimensions are subject to change without notice. All dimensions are in mm unless specified



sales@realhydrofit.com  
reohydesales@gmail.com



www.realhydrofit.com



9869078630, 9167921882  
91 22 66573951/52/53, 23717488

26



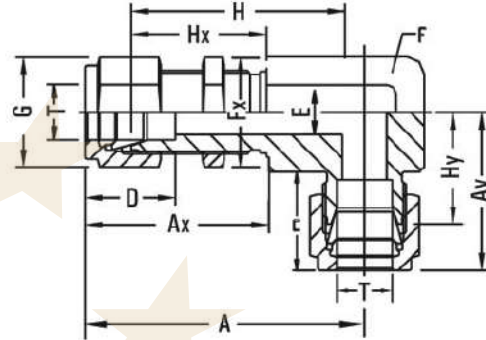
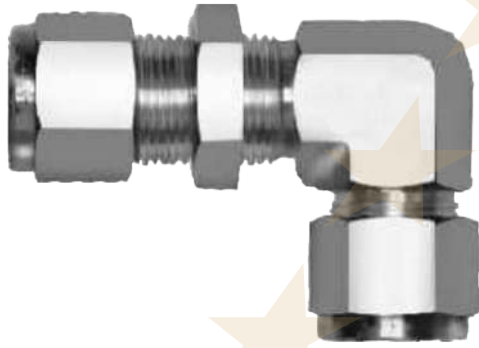


# ★★★★★ REAL HYDROFIT & CO.®

SPLTS: TUBE - PIPE FITTINGS - FLEXIBLE HOSES - HYDRAULIC FITTINGS

## TUBE FITTINGS

### BULKHEAD ELBOW- MODEL NO. RH-22-BE



#### INCH OD Tubes

Model No.	T Tube OD	A	Ax	Ay	C	D	E min.	F A/F	G A/F	H	Hx	Hy	Panel Hole Drill Size	Max. Panel Thickness
RH-22-BE-2	1/8	43.1	31.2	22.4	15.3	12.7	2.4	12.7	11	36.5	24.6	15.8	8.3	12.7
RH-22-BE-4	1/4	48.9	33.6	26.9	17.8	15.3	4.8	15.5	14	41.5	26.2	19.6	11.5	10.1
RH-22-BE-6	3/8	54.1	36.8	30.5	19.3	16.8	7.1	22	17	46.8	29.5	23.2	14.6	11.1
RH-22-BE-8	1/2	63.5	41.9	36	21.8	22.9	10.4	27	22	53.4	31.8	25.9	19.5	12.7
RH-22-BE-12	3/4	75.3	47.5	39.9	21.8	24.4	16	32	28	65.2	37.4	29.7	25.8	16.8
RH-22-BE-16	1	91.8	57.4	49	26.4	31.2	22.3	41	28	79.6	45.2	36.8	33.7	19

#### METRIC OD Tubes

Model No.	T Tube OD	A	Ax	Ay	C	D	E min.	F A/F	G A/F	H	Hx	Hy	Panel Hole Drill Size	Max. Panel Thickness
RH-22-BE-8m	3	43	31.2	22.3	15.3	12.9	2.4	12.7	11	36.4	24.6	15.7	8.3	12.7
RH-22-BE-6m	6	49.3	33.6	27	17.7	15.3	4.8	15.5	14	41.9	26.2	19.6	11.5	10.2
RH-22-BE-8m	8	52.6	36.1	28.8	18.6	16.2	6.3	17	16	45.1	28.6	21.3	13.1	11.2
RH-22-BE-10m	10	56.2	37	31.5	19.5	17.2	7.9	22	19	48.6	29.4	23.9	16.3	11.2
RH-22-BE-12m	12	63	41.9	36	22	22.8	9.5	27	22	52.9	31.8	25.9	19.5	12.7
RH-22-BE-16m	16	66.5	42.6	38	22	24.4	12.7	27	25	56.4	32.5	27.9	22.8	12.7
RH-22-BE-20m	22	85.1	53	44.6	22	26	18.3	36	32	75	42.9	34.5	29	19
RH-22-BE-25m	25	91.8	57.4	49.1	26.4	31.2	22.3	41	38	79.6	45.2	36.8	33.7	19

Note: All dimensions are subject to change without notice. All dimensions are in mm unless specified



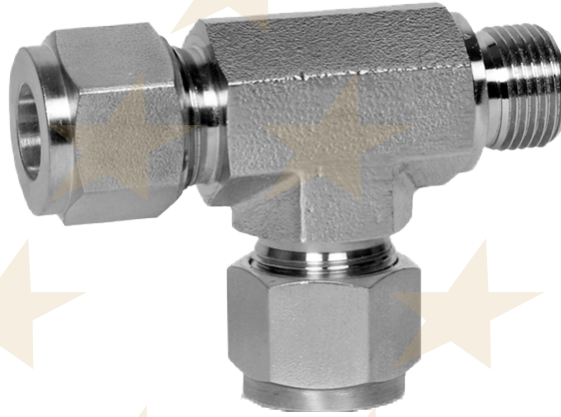


# ★★★★★ REAL HYDROFIT & CO.®

SPLTS: TUBE - PIPE FITTINGS - FLEXIBLE HOSES - HYDRAULIC FITTINGS

## TUBE FITTINGS

### MALE RUN TEE- MODEL NO. RH-23-MRT



#### INCH OD Tubes X Male NPT Threads

Model No.	T Tube OD	P NPT Male	A	Ax	B	C	D	E min.	F A/F	G A/F	H	Hx	Hy
RH-23-MRT-2-2N	1/8	1/8	41.4	23.6	9.6	15.3	12.7	2.4	12.7	11	34.8	17	17.8
RH-23-MRT-2-4N	1/8	1/4	48	24.6	14.3	15.3	12.7	2.4	14	11	41.4	18	23.4
RH-23-MRT-4-2N	1/4	1/8	45.7	26.9	9.6	17.8	15.3	4.8	14	14	38.4	19.6	18.8
RH-23-MRT-4-4N	1/4	1/4	50.3	26.9	14.3	17.8	15.3	4.8	14	14	43	19.6	23.4
RH-23-MRT-4-6N	1/4	3/8	55.9	29.7	14.3	17.8	15.3	4.8	20.5	14	48.8	22.4	26.2
RH-23-MRT-4-8N	1/4	1/2	64.8	31.8	19.1	17.8	15.3	4.8	22	14	57.4	24.4	33
RH-23-MRT-6-4N	3/8	1/4	55.9	30.5	14.3	19.3	16.8	7.1	15.5	17	48.5	23.1	25.4
RH-23-MRT-6-6N	3/8	3/8	57.4	31.2	14.3	19.3	16.8	7.1	17.5	17	50.1	23.9	26.2
RH-23-MRT-6-8N	3/8	1/2	66	33	19.1	19.3	16.8	7.1	22	17	58.9	25.9	33
RH-23-MRT-8-4N	1/2	1/4	64.2	36	14.3	21.8	22.9	4.8	20.5	22	54.1	25.9	28.2
RH-23-MRT-8-6N	1/2	3/8	64.2	36	14.3	21.8	22.9	9.6	20.5	22	54.1	25.9	28.2
RH-23-MRT-8-8N	1/2	1/2	69	36	19.1	21.8	22.9	10.4	22	22	58.9	25.9	33
RH-23-MRT-10-8N	5/8	1/2	73.1	38.1	19.1	21.8	24.4	11.9	27	25	62.9	27.9	35
RH-23-MRT-12-8N	3/4	1/2	76.7	39.9	19.1	21.8	24.4	11.9	27	28	66.5	29.7	36.8
RH-23-MRT-12-12N	3/4	3/4	76.7	39.9	19.1	21.8	24.4	15.8	28	29	66.5	29.7	36.8
RH-23-MRT-16-12N	1	3/4	90.6	49	19.1	26.4	31.2	15.8	36	38	78.4	36.8	41.6
RH-23-MRT-16-16N	1	1	95.5	49	23.8	26.4	31.2	22.3	36	38	83.3	36.8	46.5
RH-23-MRT-20-20N	1.1/4	1.1/4	114.1	66.5	23.8	38.8	41.1	27.6	46	50	92.1	44.5	47.6
RH-23-MRT-24-24N	1.1/2	1.1/2	138.4	78	26.2	45.2	50	34	55	57	111.2	50.8	60.4

REOHYDE



[sales@realhydrofit.com](mailto:sales@realhydrofit.com)  
[reohydesales@gmail.com](mailto:reohydesales@gmail.com)



[www.realhydrofit.com](http://www.realhydrofit.com)



9869078630, 9167921882  
91 22 66573951/52/53, 23717488



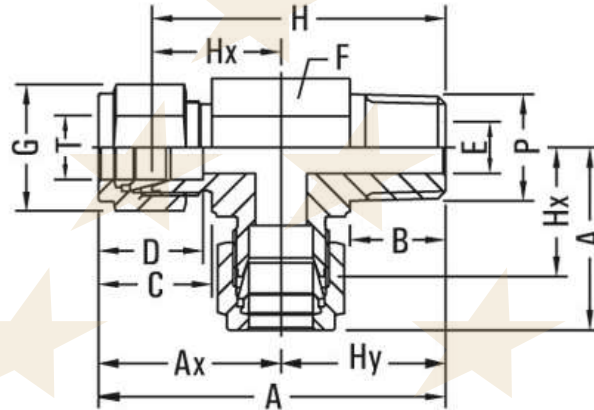


# ★★★★★ REAL HYDROFIT & CO.®

SPLTS: TUBE - PIPE FITTINGS - FLEXIBLE HOSES - HYDRAULIC FITTINGS

## TUBE FITTINGS

### MALE RUN TEE- MODEL NO. RH-23-MRT



### METRIC OD Tubes X Male NPT Threads

Model No.	T Tube OD	P NPT Male	A	Ax	B	C	D	E min.	F A/F	G A/F	H	Hx	Hy
RH-23-MRT-3m-2N	3	1/8	41.4	23.6	9.6	15.3	12.9	2.4	12.7	11	34.8	17	17.8
RH-23-MRT-3m-4N	3	1/4	48	24.6	14.3	15.3	12.9	2.4	14	11	41.4	18	23.4
RH-23-MRT-6m-2N	6	1/8	45.8	27	9.6	17.7	15.3	4.8	14	14	38.9	19.6	18.8
RH-23-MRT-6m-4N	6	1/4	50.4	27	14.3	17.7	15.3	4.8	14	14	43	19.6	23.4
RH-23-MRT-6m-6N	6	3/8	56	29.8	14.3	17.7	15.3	4.8	17.5	14	48.6	22.4	26.2
RH-23-MRT-8m-4N	8	1/4	53.2	28.8	14.3	18.6	16.2	6.3	14	16	45.7	21.3	24.4
RH-23-MRT-8m-6N	8	3/8	56.8	30.6	14.3	18.6	16.2	6.3	17.3	16	49.3	23.1	26.2
RH-23-MRT-8m-8N	8	1/2	65.6	32.6	19.1	18.6	16.2	6.3	22	16	58.1	25.1	33
RH-23-MRT-10m-4N	10	1/4	57.7	31.5	14.3	19.5	17.2	7.1	17	19	50.1	23.9	26.2
RH-23-MRT-10m-6N	10	3/8	57.7	31.5	14.3	19.5	17.2	7.9	19	19	50.1	23.9	26.2
RH-23-MRT-10m-8N	10	1/2	66.5	33.5	19.1	19.5	17.2	7.9	22	19	58.9	25.9	33
RH-23-MRT-12m-4N	12	1/4	62.2	36	14.3	22	22.8	7.1	20.5	22	52.1	25.9	26.2
RH-23-MRT-12m-6N	12	3/8	62.2	36	14.3	22	22.8	9.5	20.5	22	52.1	25.9	28.2
RH-23-MRT-12m-8N	12	1/2	69	36	19.1	22	22.8	9.5	22	22	58.9	25.9	33
RH-23-MRT-16m-8N	16	1/2	73.1	38	19.1	22	24	11.9	25	25	64	27.9	35.1
RH-23-MRT-25m-12N	25	3/4	90.8	49.1	19.1	26.5	31.3	15.8	36	38	78.5	36.8	41.7
RH-23-MRT-25m-16N	25	1	95.6	49.1	23.8	26.5	31.3	21.8	36	38	83.3	36.8	46.5
RH-23-MRT-30m-20N	30	1.1/4	120	66.9	23.8	39.2	39.6	26.2	45	50	101.4	48.3	53.1
RH-23-MRT-32m-20N	32	1.1/4	125.4	72.3	23.8	41.6	42	27.6	45	50	102.4	49.3	53.1
RH-23-MRT-38m-24N	38	1.1/2	144.4	84	26.2	47.9	50	33.7	55	57	116.8	56.4	60.4

**Note:** All dimensions are subject to change without notice. All dimensions are in mm unless specified



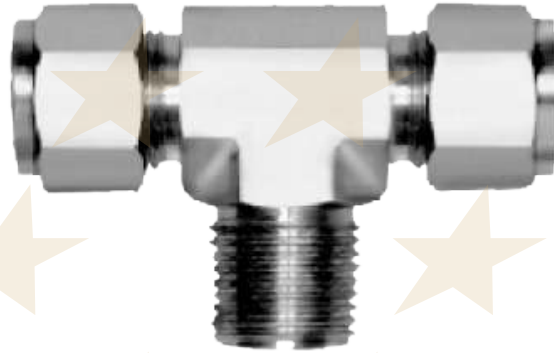


# ★★★★★ REAL HYDROFIT & CO.®

SPLTS: TUBE - PIPE FITTINGS - FLEXIBLE HOSES - HYDRAULIC FITTINGS

## TUBE FITTINGS

### MALE BRANCH TEE- MODEL NO. RH-24-MBT



### INCH OD Tubes X Male NPT Threads

Model No.	T Tube OD	P NPT Male	A	Ax	B	C	D	E min.	F A/F	G A/F	H	Hx	Hy
RH-24-MBT-2-2N	1/8	1/8	47.2	23.6	9.6	15.3	12.7	2.4	12.7	11	34	17	17.8
RH-24-MBT-2-4N	1/8	1/4	49.2	24.6	14.3	15.3	12.7	2.4	14	11	36	18	23.4
RH-24-MBT-4-2N	1/4	1/8	53.8	26.9	9.6	17.8	5.3	4.8	12.7	14	39.2	19.6	18.8
RH-24-MBT-4-4N	1/4	1/4	53.8	26.9	14.3	17.8	15.3	4.8	14	14	39.2	19.6	23.4
RH-24-MBT-4-6N	1/4	3/8	59.4	29.7	14.3	17.8	15.3	4.8	17	14	44.8	22.4	26.2
RH-24-MBT-4-8N	1/4	1/2	63.6	31.8	19.1	17.8	15.3	4.8	22	14	44.8	24.4	33
RH-24-MBT-6-4N	3/8	1/4	61	30.5	14.3	19.3	16.8	7.1	15.5	17	46.2	23.1	25.4
RH-24-MBT-6-6N	3/8	3/8	62.4	31.2	14.3	19.3	16.8	7.1	17	17	47.8	23.9	26.2
RH-24-MBT-6-8N	3/8	1/2	66	33	19.1	19.3	16.8	7.1	22	17	51.8	25.9	33
RH-24-MBT-8-4N	1/2	1/4	72	36	14.3	21.8	22.9	4.8	20.5	22	51.8	25.9	28.2
RH-24-MBT-8-6N	1/2	3/8	72	36	14.3	21.8	22.9	9.6	20.5	22	51.8	25.9	28.2
RH-24-MBT-8-8N	1/2	1/2	72	36	19.1	21.8	22.9	10.4	22	22	51.8	25.9	33
RH-24-MBT-10-8N	5/8	1/2	76.2	38.1	19.1	21.8	24.4	11.9	22	25	55.8	27.9	35
RH-24-MBT-12-8N	3/4	1/2	79.8	39.9	19.1	21.8	24.4	11.9	27	29	59.4	29.7	36.8
RH-24-MBT-12-12N	3/4	3/4	79.8	39.9	19.1	21.8	24.4	15.8	27	29	59.4	29.7	36.8
RH-24-MBT-16-12N	1	3/4	98	49	19.1	26.4	31	15.8	36	36	73.6	36.8	41.6
RH-24-MBT-16-16N	1	1	98	49	23.8	26.4	31	22.3	36	36	73.6	36.8	46.5
RH-24-MBT-20-20N	1.1/4	1.1/4	133	66.5	23.8	38.8	41.1	27.6	46	50	89	44.5	47.6
RH-24-MBT-24-24N	1.1/2	1.1/2	156	78	26.2	45.2	50	34	55	57	101.6	50.8	60.4



[sales@realhydrofit.com](mailto:sales@realhydrofit.com)  
[reohydesales@gmail.com](mailto:reohydesales@gmail.com)



[www.realhydrofit.com](http://www.realhydrofit.com)



9869078630, 9167921882  
 91 22 66573951/52/53, 23717488



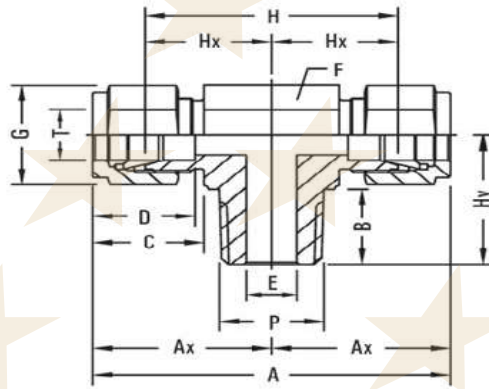


# ★★★★★ REAL HYDROFIT & CO.®

SPLTS: TUBE - PIPE FITTINGS - FLEXIBLE HOSES - HYDRAULIC FITTINGS

## TUBE FITTINGS

### MALE BRANCH TEE- MODEL NO. RH-24-MBT



### METRIC OD Tubes X Male NPT Threads

Model No.	T Tube OD	P NPT Male	A	Ax	B	C	D	E min.	F A/F	G A/F	H	Hx	Hy
RH-24-MBT-3m-2N	3	1/8	47.2	23.6	9.6	15.3	12.9	2.4	12.7	11	34	17	17.8
RH-24-MBT-3m-4N	3	1/4	49.2	24.6	14.3	15.3	12.9	2.4	14	11	36	18	23.4
RH-24-MBT-6m-2N	6	1/8	54	27	9.6	17.7	15.3	4.8	12.7	14	39.2	19.6	18.8
RH-24-MBT-6m-4N	6	1/4	54	27	14.3	17.7	15.3	4.8	14	14	39.2	19.6	23.4
RH-24-MBT-6m-6N	6	3/8	59.6	29.8	14.3	17.7	15.3	4.8	17.5	14	44.8	22.4	26.2
RH-24-MBT-8m-4N	8	1/4	57.6	28.8	14.3	18.6	16.2	6.3	14	16	42.6	21.3	24.4
RH-24-MBT-8m-6N	8	3/8	61.2	30.6	14.3	18.6	16.2	6.3	17.5	16	46.2	23.1	26.2
RH-24-MBT-8m-8N	8	1/2	65.2	32.6	19.1	18.6	16.2	6.3	22	16	50.2	25.1	33
RH-24-MBT-10m-4N	10	1/4	63	31.5	14.3	19.5	17.2	7.1	17	19	47.8	23.9	26.2
RH-24-MBT-10m-6N	10	3/8	63	31.5	14.3	19.5	17.2	7.9	19	19	47.8	23.9	26.2
RH-24-MBT-10m-8N	10	1/2	67	33.5	19.1	19.5	17.2	7.9	22	19	51.8	25.9	33
RH-24-MBT-12m-4N	12	1/4	72	36	14.3	22	22.8	7.1	20.5	22	51.8	25.9	26.2
RH-24-MBT-12m-6N	12	3/8	72	36	14.3	22	22.8	9.5	20.5	22	51.8	25.9	28.2
RH-24-MBT-12m-8N	12	1/2	72	36	19.1	22	22.8	9.5	22	22	51.8	25.9	33
RH-24-MBT-16m-8N	16	1/2	76	38	19.1	22	24	11.9	25	25	55.8	27.9	35.1
RH-24-MBT-25m-12N	25	3/4	98.2	49.1	19.1	26.5	31.3	15.8	36	36	73.6	36.8	41.7
RH-24-MBT-25m-16N	25	1	98.2	49.1	23.8	26.5	31.3	21.8	36	36	73.6	36.8	46.5
RH-24-MBT-30m-20N	30	1.1/4	139.8	66.9	23.8	39.2	39.6	26.2	45	50	96.6	48.3	53.1
RH-24-MBT-32m-20N	32	1.1/4	144.6	72.3	23.8	41.6	42	27.6	45	50	98.6	49.3	53.1
RH-24-MBT-38m-24N	38	1.1/2	168	84	26.2	47.9	50	33.7	55	57	112.8	56.4	60.4

**Note:** All dimensions are subject to change without notice. All dimensions are in mm unless specified



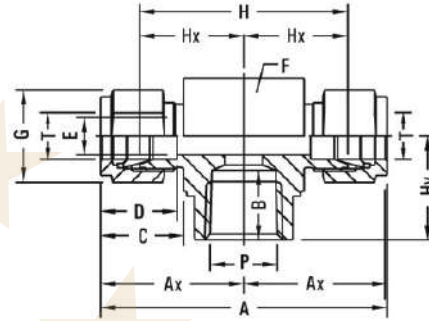
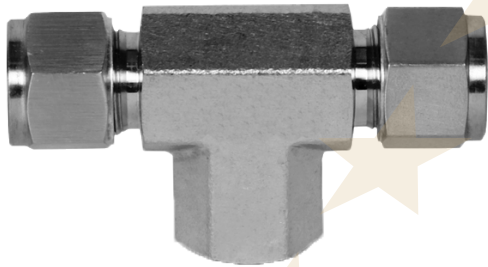


# ★★★★★ REAL HYDROFIT & CO.®

SPLTS: TUBE - PIPE FITTINGS - FLEXIBLE HOSES - HYDRAULIC FITTINGS

## TUBE FITTINGS

### FEMALE BRANCH TEE- MODEL NO. RH-25-FBT



#### INCH OD Tubes X Female NPT Threads

Model No.	T Tube OD	P NPT Male	A	Ax	B	C	D	E min.	F A/F	G A/F	H	Hx	Hy
RH-25-FBT-2-2N	1/8	1/8	49.2	24.6	10.4	15.3	12.7	2.4	14	11	36	18	19
RH-25-FBT-4-2N	1/4	1/8	53.8	26.9	10.4	17.8	15.3	4.8	14	14	39.2	19.6	19
RH-25-FBT-4-2N	1/4	1/4	59.4	27.9	15	17.8	15.3	4.8	20.5	14	44.8	22.4	22.4
RH-25-FBT-6-4N	3/8	1/4	62.4	31.2	15	19.3	16.8	7.1	20.5	16	47.8	23.9	22.4
RH-25-FBT-6-6N	3/8	3/8	66.6	33.3	15	19.3	16.8	7.1	22	16	51.8	25.9	22.4
RH-25-FBT-8-6N	1/2	3/8	72	36	15	21.8	22.9	10.4	22	19	51.8	25.9	22.4
RH-25-FBT-8-8N	1/2	1/2	77.8	38.9	19.8	21.8	22.9	10.4	27	27	57.4	28.7	28.5
RH-25-FBT-12-12N	3/4	3/4	89.4	44.7	20.6	21.8	24.4	15.8	36	22	69.2	34.6	31.8
RH-25-FBT-16-12N	1	3/4	98	49	20.6	26.4	31.2	22.3	36	25	73.6	36.8	31.8
RH-25-FBT-16-16N	1	1	107.2	53.6	25.4	26.4	31.2	22.3	41	38	82.8	41.4	38.1

#### METRIC OD Tubes X Female NPT Threads

Model No.	T Tube OD	P NPT Male	A	Ax	B	C	D	E min.	F A/F	G A/F	H	Hx	Hy
RH-25-FBT-3m-2N	3	1/8	49.2	24.6	10.4	15.3	12.9	2.4	14	11	36	18	19
RH-25-FBT-6m-2N	6	1/8	54	27	10.4	17.7	15.3	4.8	14	14	39.2	19.6	19
RH-25-FBT-6m-4N	6	1/4	59.6	29.8	15	17.7	15.3	4.8	20.5	14	44.8	22.4	22.4
RH-25-FBT-8m-2N	8	1/8	59.8	29.9	10.4	18.6	16.2	6.3	14	16	44.8	22.4	19
RH-25-FBT-8m-4N	8	1/4	61.2	30.6	15	18.6	16.2	6.3	20.5	16	46.2	23.1	22.4
RH-25-FBT-10m-4N	10	1/4	67	33.5	15	19.5	17.2	7.9	20.5	19	51.8	25.9	22.4
RH-25-FBT-12m-6N	12	3/8	72	36	15	22	22.8	9.5	22	22	51.8	25.9	22.4
RH-25-FBT-12m-8N	12	1/2	77.6	38.8	19.8	22	22.8	9.5	25	22	57.4	28.7	28.5
RH-25-FBT-16m-8N	16	1/2	79	39.5	19.8	22	24.4	12.7	25	25	59.4	29.7	28.5
RH-25-FBT-25m-16N	25	1	107.2	53.6	25.4	26.5	31.3	22.3	41	38	82.8	41.4	38.1

**Note:** All dimensions are subject to change without notice. All dimensions are in mm unless specified



sales@realhydrofit.com  
reohydesales@gmail.com



www.realhydrofit.com



9869078630, 9167921882  
91 22 66573951/52/53, 23717488



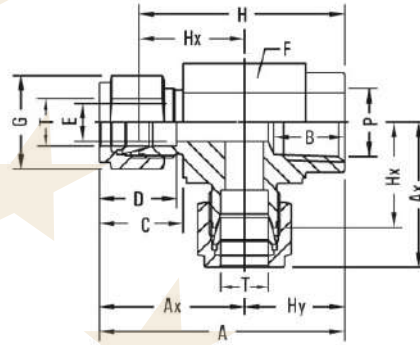
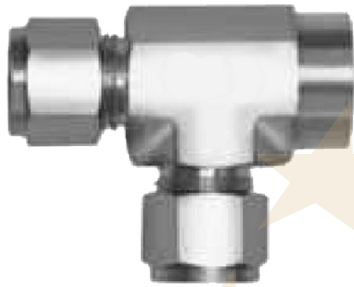


# ★★★★★ REAL HYDROFIT & CO.®

SPLTS: TUBE - PIPE FITTINGS - FLEXIBLE HOSES - HYDRAULIC FITTINGS

## TUBE FITTINGS

### FEMALE RUN TEE- MODEL NO. RH-26-FRT



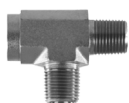
#### INCH OD Tubes X Female NPT Threads

Model No.	T Tube OD	P NPT Male	A	Ax	B	C	D	E min.	F A/F	G A/F	H	Hx	Hy
RH-26-FRT-2-2N	1/8	1/8	43.6	24.6	10.4	15.3	12.7	2.4	14	11	37	18	19
RH-26-FRT-4-2N	1/4	1/8	45.9	26.9	10.4	17.8	15.3	4.8	14	14	38.6	19.6	19
RH-26-FRT-4-4N	1/4	1/4	52.1	29.7	15	17.8	15.3	4.8	20.5	14	44.8	22.4	22.4
RH-26-FRT-6-4N	3/8	1/4	53.6	31.2	15	19.3	16.8	7.1	20.5	17	46.3	23.9	22.4
RH-26-FRT-6-6N	3/8	3/8	55.7	33.3	15	19.3	16.8	7.1	22	17	48.3	25.9	22.4
RH-26-FRT-8-6N	1/2	3/8	58.4	36	15	21.8	22.9	10.4	22	22	48.3	25.9	22.4
RH-26-FRT-8-8N	1/2	1/2	67.4	38.9	19.8	21.8	22.9	10.4	27	22	57.2	28.7	28.5
RH-26-FRT-12-12N	3/4	3/4	76.5	44.7	20.6	21.8	24.4	15.8	36	29	66.4	34.6	31.8
RH-26-FRT-16-12N	1	3/4	80.8	49	20.6	26.4	31	22.3	36	36	68.6	36.8	31.8
RH-26-FRT-16-16N	1	1	91.7	53.6	25.4	26.4	31	22.3	41	36	79.5	41.4	38.1

#### METRIC OD Tubes X Female NPT Threads

Model No.	T Tube OD	P NPT Male	A	Ax	B	C	D	E min.	F A/F	G A/F	H	Hx	Hy
RH-26-FRT-3m-2N	3	1/8	43.6	24.6	10.4	15.3	12.9	2.4	14	11	37	18	19
RH-26-FRT-6m-2N	6	1/8	46	27	10.4	17.7	15.3	4.8	14	14	38.6	19.6	19
RH-26-FRT-6m-4N	6	1/4	52.2	29.8	15	17.7	15.3	4.8	20.5	14	44.8	22.4	22.4
RH-26-FRT-8m-2N	8	1/8	48.9	29.9	10.4	18.6	16.2	6.3	16	16	41.4	22.4	19
RH-26-FRT-8m-4N	8	1/4	53	30.6	15	18.6	16.2	6.3	20.5	16	45.5	23.1	22.4
RH-26-FRT-10m-4N	10	1/4	55.9	33.5	15	19.5	17.2	7.9	20.5	19	48.3	25.9	22.4
RH-26-FRT-12m-6N	12	3/8	58.4	36	15	22	22.8	9.5	22	22	48.3	25.9	22.4
RH-26-FRT-12m-8N	12	1/2	67.3	38.8	19.8	22	22.8	9.5	27	22	57.2	28.7	28.5
RH-26-FRT-16m-8N	16	1/2	68	39.5	19.8	22	24	12.7	27	25	58.2	29.7	28.5
RH-26-FRT-25m-16N	25	1	91.7	53.6	25.4	26.5	31.3	22.3	41	38	79.5	41.4	38.1

**Note:** All dimensions are subject to change without notice. All dimensions are in mm unless specified

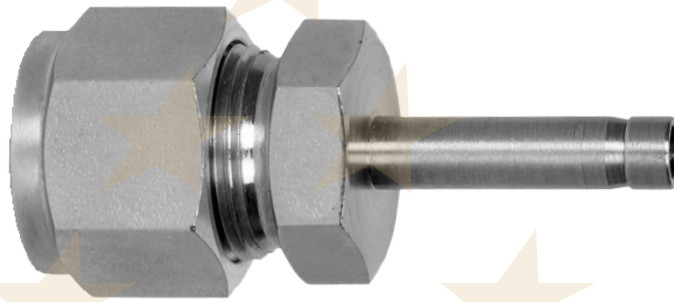




# ★★★★★ REAL HYDROFIT & CO.®

SPLTS: TUBE - PIPE FITTINGS - FLEXIBLE HOSES - HYDRAULIC FITTINGS

## TUBE FITTINGS REDUCER- MODEL NO. RH-27-R



### INCH OD Tubes

Model No.	T Tube OD	Tx Tube OD	A	C	D	E min.	F A/F	G A/F	H
RH-27-R-2-2	1/8	1/8	33.5	15.3	12.7	2	12.7	11	26.9
RH-27-R-2-4	1/8	1/4	36.1	15.3	12.7	2.3	12.7	11	29.5
RH-27-R-2-6	1/8	3/8	37.6	15.3	12.7	2.3	12.7	11	31
RH-27-R-2-8	1/8	1/2	44.2	15.3	12.7	2.3	14	11	37.6
RH-27-R-4-2	1/4	1/8	36.8	17.8	15.3	2	12.7	14	29.5
RH-27-R-4-4	1/4	1/4	39.1	17.8	15.3	4.8	12.7	14	31.8
RH-27-R-4-6	1/4	3/8	40.6	17.8	15.3	4.8	12.7	14	33.3
RH-27-R-4-8	1/4	1/2	46.2	17.8	15.3	4.8	14	14	38.9
RH-27-R-4-12	1/4	3/4	47.8	17.8	15.3	4.8	20.5	14	40.4
RH-27-R-6-4	3/8	1/4	41.4	19.3	16.8	4.8	16	17	34
RH-27-R-6-6	3/8	3/8	43.2	19.3	16.8	7	16	17	35.8
RH-27-R-6-8	3/8	1/2	48.5	19.3	16.8	7	16	17	41.1
RH-27-R-6-12	3/8	3/4	50.3	19.3	16.8	7	16	17	42.9
RH-27-R-8-4	1/2	1/4	45	21.8	22.9	4.8	20.5	22	34.8
RH-27-R-8-6	1/2	3/8	46.7	21.8	22.9	7	20.5	22	36.6
RH-27-R-8-8	1/2	1/2	52.3	21.8	22.9	10	20.5	22	42.2
RH-27-R-8-12	1/2	3/4	53.8	21.8	22.9	10	22	22	43.7
RH-27-R-8-16	1/2	1	60.2	21.8	22.9	10	27	22	50
RH-27-R-12-8	3/4	1/2	54.6	21.8	24.4	10	27	28	44.5
RH-27-R-12-16	3/4	1	62.5	21.8	24.4	16	27	28	52.3

REOHYDE



sales@realhydrofit.com  
reohydesales@gmail.com



www.realhydrofit.com



9869078630, 9167921882  
91 22 66573951/52/53, 23717488

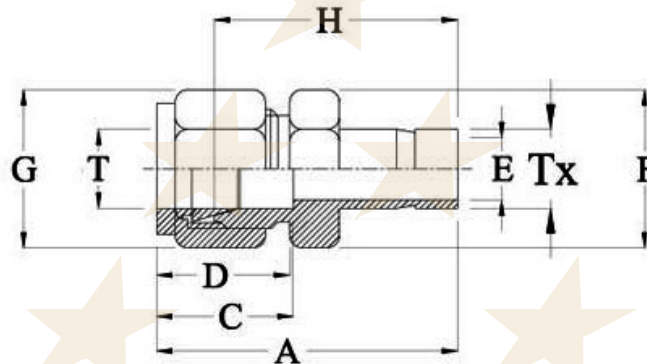




# ★★★★★ REAL HYDROFIT & CO.®

SPLTS: TUBE - PIPE FITTINGS - FLEXIBLE HOSES - HYDRAULIC FITTINGS

## TUBE FITTINGS REDUCER- MODEL NO. RH-27-R



### MATRIC OD Tubes

Model No.	T Tube OD	Tx Tube OD	A	C	D	E min.	F A/F	G A/F	H
RH-27-R-3m-3.2	3	3.2	33.5	15.3	12.7	2	12.7	11	26.9
RH-27-R-3m-6.35	3	6.35	36.1	15.3	12.7	2.2	12.7	11	29.5
RH-27-R-6m-3.2	6	3.2	36.9	17.8	15.3	2.2	12.7	14	29.5
RH-27-R-6m-6.35	6	6.35	39.9	17.8	15.3	4.8	12.7	14	32.5
RH-27-R-6m-9.52	6	9.52	40.7	17.8	15.3	4.8	12.7	14	33.3
RH-27-R-6m-12.7	6	12.7	46.3	17.8	15.3	4.8	14	14	38.9
RH-27-R-8m-9.52	8	9.52	42	19.3	16.8	6.4	15	16	34.5
RH-27-R-8m-12.7	8	12.7	47.6	19.3	16.8	6.4	15	16	40.1
RH-27-R-10m-9.52	10	9.52	44.2	19.3	16.8	6.9	18	17	36.6
RH-27-R-10m-12.7	10	12.7	49.8	19.3	16.8	7.9	18	17	42.2
RH-27-R-12m-12.7	12	12.7	52.3	21.8	22.9	9.4	20.5	22	42.2
RH-27-R-12m-19.05	12	19.05	53.8	21.8	22.9	9.5	22	22	43.7
RH-27-R-18m-19.05	18	19.05	56.1	21.8	24.4	15.1	27	28	46
RH-27-R-18m-25.4	18	25.4	62.4	21.8	24.4	15.1	27	28	52.3
RH-27-R-25m-25.4	25	25.4	69.4	26.5	31.3	20.2	36	38	57.2

**Note:** All dimensions are subject to change without notice. All dimensions are in mm unless specified



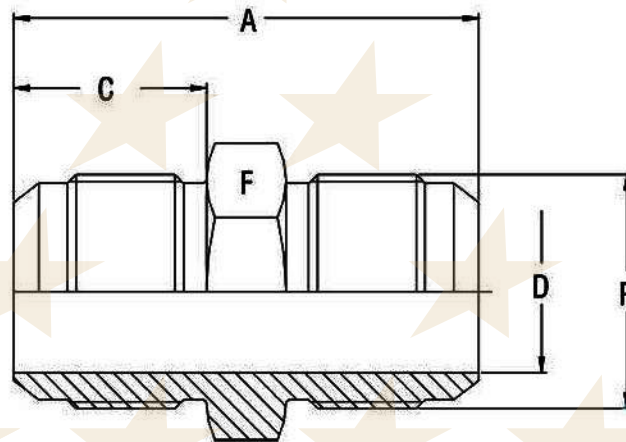


# ★★★★★ REAL HYDROFIT & CO.®

SPLTS: TUBE - PIPE FITTINGS - FLEXIBLE HOSES - HYDRAULIC FITTINGS

## 37° FLARE TUBE FITTINGS

### UNION - MODEL NO. RH-201F-U



### DESCRIPTION

Model No.	TUBE OD		THREAD UN/UNF	A	C	D	F A/F	Model No.
INCH	MM	INCH	P	MM	MM	MM	MM	MM
RH-201F-U-4	6	1/4	7/16-20	35	14	4.4	13	RH-201F-U-6m
RH-201F-U-5	8	5/16	1/2-20	35	14	6	14	RH-201F-U-8m
RH-201F-U-6	10	3/8	9/16-18	36	14.1	7.5	16	RH-201F-U-10m
RH-201F-U-8	12	1/2	3/4-16	41	16.7	9.9	19	RH-201F-U-12m
RH-201F-U-10	14/15/16	5/8	7/8-14	48	19.3	12.3	24	RH-201F-U-14m/15m/16m
RH-201F-U-12	18/20	3/4	1/16-12	55	21.9	15.5	27	RH-201F-U-18m/20m
RH-201F-U-16	25	1	5/16-12	57	23.1	21.5	36	RH-201F-U-25m
RH-201F-U-20	28/30/32	1 1/4	1 5/8-12	61.5	24.3	27.5	46	RH-201F-U-28m/30m/32m
RH-201F-U-24	35/38	1 1/2	1 7/8-12	70	27.5	33	50	RH-201F-U-35m/38m

**Note:** All dimensions are subject to change without notice. All dimensions are in mm unless specified



sales@realhydrofit.com  
reohydesales@gmail.com



www.realhydrofit.com



9869078630, 9167921882  
91 22 66573951/52/53, 23717488



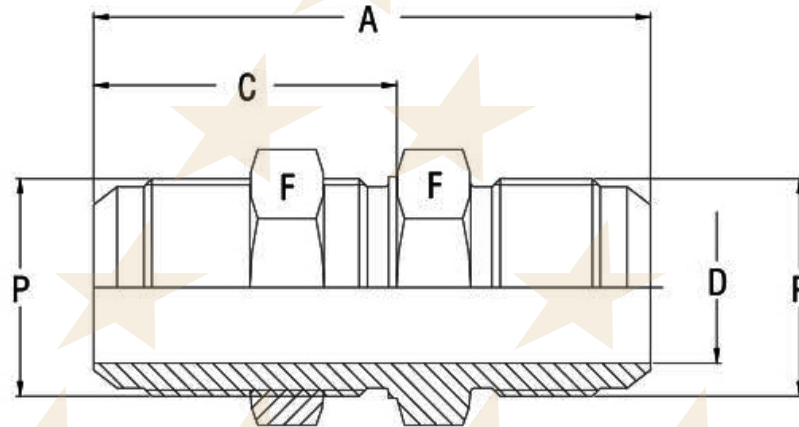


# ★★★★★ REAL HYDROFIT & CO.®

SPLTS: TUBE - PIPE FITTINGS - FLEXIBLE HOSES - HYDRAULIC FITTINGS

## 37° FLARE TUBE FITTINGS

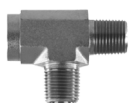
### BULKHEAD UNION - MODEL NO. RH-202F-BU



### DESCRIPTION

Model No.	TUBE OD		THREAD UN/UNF	A	C	D	F A/F	Model No.
INCH	MM	INCH	P	MM	MM	MM	MM	MM
RH-202F-BU-4	6	1/4	7/16-20	52.6	31.5	4.4	17	RH-202F-BU-6m
RH-202F-BU-5	8	5/16	1/2-20	52.6	31.5	6	19	RH-202F-BU-8m
RH-202F-BU-6	10	3/8	9/16-18	55.4	33.5	7.5	22	RH-202F-BU-10m
RH-202F-BU-8	12	1/2	3/4-16	62	37.6	9.9	24	RH-202F-BU-12m
RH-202F-BU-10	14/15/16	5/8	7/8-14	69.6	41.1	12.3	30	RH-202F-BU/14/15/16m
RH-202F-BU-1	18/20	3/4	1 1/16-12	78.5	45.4	15.5	36	RH-202F-BU-18m/20m
RH-202F-BU-16	25	1	1 5/16-12	79.8	45.4	21.5	41	RH-202F-BU-25m
RH-202F-BU-20	28/30/32	1 1/4	1 5/8-12	84.1	46.7	27.5	50	RH-202F-BU-28m/30M/32m
RH-202F-BU-24	35/38	1 1/2	1 7/8-12	89.4	47	33	55	RH-202F-BU-35M/38m

**Note:** All dimensions are subject to change without notice. All dimensions are in mm unless specified



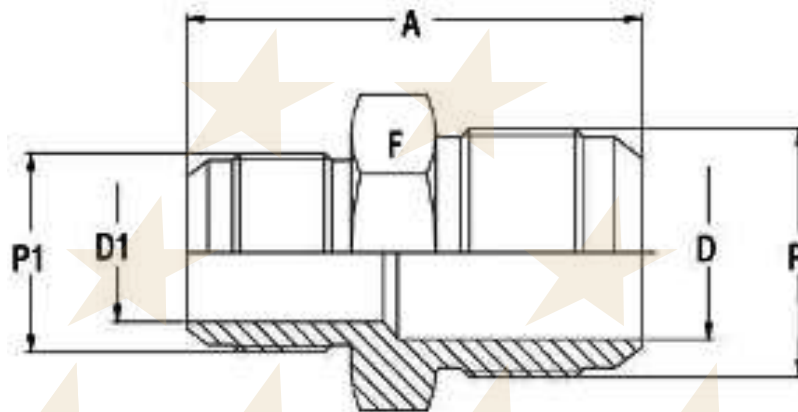


# ★★★★★ REAL HYDROFIT & CO.®

SPLTS: TUBE - PIPE FITTINGS - FLEXIBLE HOSES - HYDRAULIC FITTINGS

## 37° FLARE TUBE FITTINGS

### REDUCING UNION- MODEL NO. RH-203F-RU



#### DESCRIPTION

Model No.	TUBE OD		TUBE OD		THREAD UN/UNF	THREAD UN/UNF	A	D	D1	F A/F	Model No.
INCH	MM	INCH	MM	INCH	P	P1	MM	MM	MM	MM	MM
RH-203F-RU-6-4	10	3/8	6	1/4	9/16-18	7/16-20	36	7.5	4.5	16	RH-203F-RU-10m-6m
RH-203F-RU-8-6	12	1/2	10	3/8	3/4-16	9/16-18	39.5	10	7.5	19	RH-203F-RU-12m-10m
RH-203F-RU-10-8	14/15/16	5/8	12	1/2	7/8-14	3/4-16	45	12	10	24	RH-203F-RU-14m/15m/16m-12m
RH-203F-RU-12-8	18/20	3/4	12	1/2	1 1/16-12	3/4-16	49	15.5	10	27	RH-203F-RU-18m/20m-12m
RH-203F-RU-12-10	18/20	3/4	14/15/16	5/8	11/16-12	7/8-14	52	15.5	12	27	RH-203F-RU-18m/20m-14m/15m/16m
RH-203F-RU-16-12	25	1	18/20	3/4	15/16-12	1 1/16-12	56	21	15.5	36	RH-203F-RU-25m-18m/20m

**Note:** All dimensions are subject to change without notice. All dimensions are in mm unless specified



sales@realhydrofit.com  
reohydesales@gmail.com



www.realhydrofit.com



9869078630, 9167921882  
91 22 66573951/52/53, 23717488



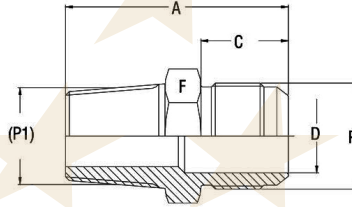


# ★★★★★ REAL HYDROFIT & CO.®

SPLTS: TUBE - PIPE FITTINGS - FLEXIBLE HOSES - HYDRAULIC FITTINGS

## 37° FLARE TUBE FITTINGS

### MALE CONNECTOR - MODEL NO. RH-204F-MC



Model No.	TUBE OD		THREAD UN/UNF	THREAD NPT	A	C	D	F A/F	Model No.
INCH	MM	INCH	P	P1	MM	MM	MM	MM	MM
RH-204F-MC-4-2	6	1/4	7/16-20	1/8-27	31	14	4.4	13	RH-204F-MC-6m-2
RH-204F-MC-4-4	6	1/4	7/16-20	1/4-18	36	14	4.4	14	RH-204F-MC-6m-4
RH-204F-MC-4-6	6	1/4	7/16-20	3/8-18	37	14	4.4	19	RH-204F-MC-6m-6
RH-204F-MC-4-8	6	1/4	7/16-20	1/2-14	43	14	4.4	22	RH-204F-MC-6m-8
RH-204F-MC-5-2	8	5/16	1/2-20	1/8-27	31	14	6	14	RH-204F-MC-8m-2
RH-204F-MC-5-4	8	5/16	1/2-20	1/4-18	36	14	6	14	RH-204F-MC-8m-4
RH-204F-MC-6-2	10	3/8	9/16-18	1/8-27	32	14.1	7.5	16	RH-204F-MC-10m-2
RH-204F-MC-6-4	10	3/8	9/16-18	1/4-18	36.3	14.1	7.5	16	RH-204F-MC-10m-4
RH-204F-MC-6-6	10	3/8	9/16-18	3/8-18	36.4	14.1	7.5	19	RH-204F-MC-10m-6
RH-204F-MC-6-8	10	3/8	9/16-18	1/2-14	42.9	14.1	7.5	22	RH-204F-MC-10m-8
RH-204F-MC-8-4	12	1/2	3/4-16	1/4-18	38.9	16.7	9.9	19	RH-204F-MC-12m-4
RH-204F-MC-8-6	12	1/2	3/4-16	3/8-18	38.9	16.7	9.9	19	RH-204F-MC-12m-6
RH-204F-MC-8-8	12	1/2	3/4-16	1/2-14	45.5	16.7	9.9	22	RH-204F-MC-12m-8
RH-204F-MC-8-12	12	1/2	3/4-16	3/4-14	47	16.7	9.9	27	RH-204F-MC-12m-12
RH-204F-MC-10-6	14/15/16	5/8	7/8-14	3/8-18	43.2	19.3	12.3	24	RH-204F-MC-14m/15m/16m-6
RH-204F-MC-10-8	14/15/16	5/8	7/8-14	1/2-14	48	19.3	12.3	24	RH-204F-MC-14m/15m/16m-8
RH-204F-MC-10-12	14/15/16	5/8	7/8-14	3/4-14	49.5	19.3	12.3	27	RH-204F-MC-14m/15m/16m-12
RH-204F-MC-12-8	18/20	3/4	1 1/16-12	1/2-14	52.3	21.9	15.5	27	RH-204F-MC-18m/20m-8
RH-204F-MC-12-12	18/20	3/4	1 1/16-12	3/4-14	52.3	21.9	15.5	27	RH-204F-MC-18m/20m-12
RH-204F-MC-12-16	18/20	3/4	1 1/16-12	1-11.5	57.1	21.9	15.5	36	RH-204F-MC-18m/20m-16
RH-204F-MC-16-12	25	1	1 5/16-12	3/4-14	53.6	23.1	21.5	36	RH-204F-MC-25m-12
RH-204F-MC-16-16	25	1	1 5/16-12	1-11.5	58.4	23.1	21.5	36	RH-204F-MC-25m-16
RH-204F-MC-20-16	28/30/32	1 1/4	1 5/8-12	1-11.5	61.4	24.3	27.5	46	RH-204F-MC-28m/30m/32m-16
RH-204F-MC-20-20	28/30/32	1 1/4	1 5/8-12	1 1/4-11.5	62.2	24.3	27.5	46	RH-204F-MC-28m/30m/32m-20
RH-204F-MC-24-20	35/38	1 1/2	1 7/8-12	1 1/4-11.5	67.3	27.5	33	50	RH-204F-MC-35m/38m-20
RH-204F-MC-24-24	35/38	1 1/2	1 7/8-12	1 1/2-11.5	68.1	27.5	33	50	RH-204F-MC-35m/38m-24



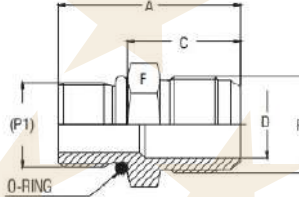


# ★★★★★ REAL HYDROFIT & CO.®

SPLTS: TUBE - PIPE FITTINGS - FLEXIBLE HOSES - HYDRAULIC FITTINGS

## 37° FLARE TUBE FITTINGS

### MALE CONNECTOR - MODEL NO. RH-205F-MCU



Model No.	TUBE		THREAD UN/UNF		A	C	D	F A/F	Model No.
INCH	MM	INCH	P	P1	MM	MM	MM	MM	MM
RH-205F-MCU-4-7	6	1/4	7/16-20	7/16-20	31.2	22	4.4	14	RH-205F-MCU-6m-7
RH-205F-MCU-4-8	6	1/4	7/16-20	1/2-20	31.2	22	4.4	17	RH-205F-MCU-6m-8
RH-205F-MCU-4-9	6	1/4	7/16-20	9/16-18	32.7	22.8	4.4	17	RH-205F-MCU-6m-9
RH-205F-MCU-4-12	6	1/4	7/16-20	3/4-16	35	23.9	4.4	22	RH-205F-MCU-6m-12
RH-205F-MCU-5-8	8	5/16	1/2-20	1/2-20	31.2	22	6	17	RH-205F-MCU-8m-8
RH-205F-MCU-5-9	8	5/16	1/2-20	9/16-18	33	23	6	17	RH-205F-MCU-8m-9
RH-205F-MCU-6-7	10	3/8	9/16-18	7/16-20	32.2	23	7.5	17	RH-205F-MCU-10m-7
RH-205F-MCU-6-8	10	3/8	9/16-18	1/2-20	32.2	23	7.5	17	RH-205F-MCU-10m-8
RH-205F-MCU-6-9	10	3/8	9/16-18	9/16-18	33	23	7.5	17	RH-205F-MCU-10m-9
RH-205F-MCU-6-12	10	3/8	9/16-18	3/4-16	35.1	24	7.5	22	RH-205F-MCU-10m-12
RH-205F-MCU-6-14	10	3/8	9/16-18	7/8-14	35	25.4	7.5	27	RH-205F-MCU-10m-14
RH-205F-MCU-8-9	12	1/2	3/4-16	9/16-18	36.6	26.7	9.9	22	RH-205F-MCU-12m-9
RH-205F-MCU-8-12	12	1/2	3/4-16	3/4-16	38.1	26.4	9.9	22	RH-205F-MCU-12m-12
RH-205F-MCU-8-14	12	1/2	3/4-16	7/8-14	40.7	28	9.9	27	RH-205F-MCU-12m-14
RH-205F-MCU-8-17	12	1/2	3/4-16	1 1/16-12	44.7	29.6	9.9	32	RH-205F-MCU-12m-17
RH-205F-MCU-10-12	14/15/16	5/8	7/8-14	3/4-16	41.7	30.6	12.3	27	RH-205F-MCU-14m/15m/16m-12
RH-205F-MCU-10-14	14/15/16	5/8	7/8-14	7/8-14	43.2	30.5	12.3	27	RH-205F-MCU-14m/15m/16m-14
RH-205F-MCU-10-17	14/15/16	5/8	7/8-14	1 1/16-12	47.2	32.1	12.3	32	RH-205F-MCU-14m/15m/16m-17
RH-205F-MCU-12-12	18/20	3/4	1 1/16-12	3/4-16	49.2	38	15.5	27	RH-205F-MCU-18m/20M-12
RH-205F-MCU-12-14	18/20	3/4	1 1/16-12	7/8-14	47.7	35	15.5	27	RH-205F-MCU-18m/20M-14
RH-205F-MCU-12-17	18/20	3/4	1 1/16-12	1 1/16-12	50	34.9	15.5	32	RH-205F-MCU-18m/20M-17
RH-205F-MCU-12-21	18/20	3/4	1 1/16-12	1 5/16-12	50.5	35.4	15.5	41	RH-205F-MCU-18m/20M-21
RH-205F-MCU-16-14	25	1	1 5/16-12	7/8-14	52.8	39.9	21.5	36	RH-205F-MCU-25m-14
RH-205F-MCU-16-17	25	1	1 5/16-12	1 1/16-12	50.5	36.6	21.5	36	RH-205F-MCU-25m-17
RH-205F-MCU-16-19	25	1	1 5/16-12	1 3/16-12	52	37.1	21.5	36	RH-205F-MCU-25m-19
RH-205F-MCU-16-21	25	1	1 5/16-12	1 5/16-12	52	37	21.5	41	RH-205F-MCU-25m-21
RH-205F-MCU-16-26	25	1	1 5/16-12	1 5/8-12	54.1	39.1	21.5	50	RH-205F-MCU-25m-26
RH-205F-MCU-20-21	28/30/32	1 1/4	1 5/8-12	1 5/16-12	59.1	44.2	27.5	46	RH-205F-MCU-28m/30m/32m-21
RH-205F-MCU-20-26	28/30/32	1 1/4	1 5/8-12	1 5/8-12	55.1	40.1	27.5	50	RH-205F-MCU-28m/30m/32m-26
RH-205F-MCU-24-26	35/38	1 1/2	1 7/8-12	1 5/8-12	60.4	45.5	33	55	RH-205F-MCU-35m/38m-26
RH-205F-MCU-24-30	35/38	1 1/2	1 7/8-12	1 7/8-12	64.3	49.3	33	55	RH-205F-MCU-35m/38m-30



sales@realhydrofit.com  
reohydesales@gmail.com



www.realhydrofit.com



9869078630, 9167921882  
91 22 66573951/52/53, 23717488



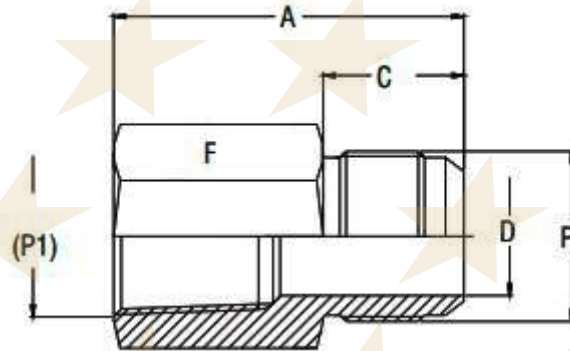


# ★★★★★ REAL HYDROFIT & CO.®

SPLTS: TUBE - PIPE FITTINGS - FLEXIBLE HOSES - HYDRAULIC FITTINGS

## 37° FLARE TUBE FITTINGS

### FEMALE CONNECTOR - MODEL NO. RH-206F-FC



Model No.	TUBE		THREAD UN/UNF		A	C	D	F A/F	Model No.
INCH	MM	INCH	P	P1	MM	MM	MM	MM	MM
RH-206F-FC-4-2	6	1/4	7/16-20	1/8-27	30.2	14	4.4	14	RH-206F-FC-6m-2
RH-206F-FC-4-4	6	1/4	7/16-20	1/4-18	35.3	14	4.4	19	RH-206F-FC-6m-4
RH-206F-FC-5-2	8	5/16	1/2-20	1/8-27	29.7	14	6	14	RH-206F-FC-8m-2
RH-206F-FC-5-4	8	5/16	1/2-20	1/4-18	35.3	14	6	19	RH-206F-FC-8m-4
RH-206F-FC-6-4	10	3/8	9/16-18	1/4-18	35.8	14.1	7.5	19	RH-206F-FC-10m-4
RH-206F-FC-6-6	10	3/8	9/16-18	3/8-18	37.3	14.1	7.5	22	RH-206F-FC-10m-6
RH-206F-FC-8-6	12	1/2	3/4-16	3/8-18	39.6	16.7	9.9	22	RH-206F-FC-12m-6
RH-206F-FC-8-8	12	1/2	3/4-16	1/2-14	45.5	16.7	9.9	30	RH-206F-FC-12m-8
RH-206F-FC-10-8	14/15/16	5/8	7/8-14	1/2-14	48	19.3	12.3	30	RH-206F-FC-14m-15m-16m-8
RH-206F-FC-12-8	18/20	3/4	1 1/16-12	1/2-14	48.5	21.9	15.5	30	RH-206F-FC-18m/20m-8
RH-206F-FC-12-12	18/20	3/4	1 1/16-12	3/4-14	52.3	21.9	15.5	36	RH-206F-FC-18m/20m-12
RH-206F-FC-16-16	25	1	1 5/16-12	1-11.5	59.7	23.1	21.5	41	RH-206F-FC-25m-16
RH-206F-FC-20-20	28/30/32	1 1/4	1 5/8-12	1 1/4-11.5	63	24.3	27.5	50	RH-206F-FC-28m/30m/32m-20
RH-206F-FC-24-24	35/38	1 1/2	1 7/8-12	1 1/2-11.5	66.8	27.5	33	60	RH-206F-FC-35m/38m-24

**Note:** All dimensions are subject to change without notice. All dimensions are in mm unless specified



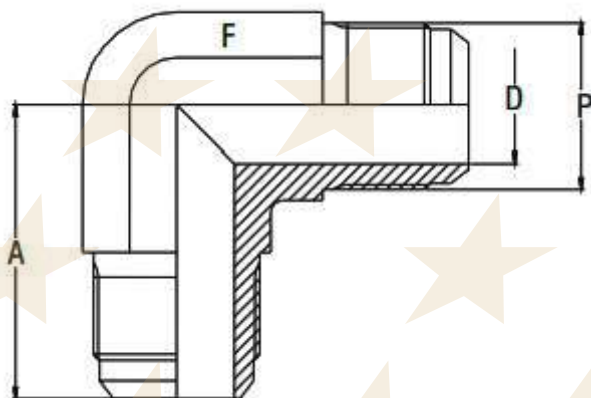


# ★★★★★ REAL HYDROFIT & CO.®

SPLTS: TUBE - PIPE FITTINGS - FLEXIBLE HOSES - HYDRAULIC FITTINGS

## 37° FLARE TUBE FITTINGS

### UNION ELBOW - MODEL NO. RH-207F-UE



Model No.	TUBE		THREAD UN/UNF	A	D	F A/F	Model No.
INCH	MM	INCH	P	MM	MM	MM	MM
RH-207F-UE-4	6	1/4	7/16-20	22.6	4.4	11	RH-207F-UE-6m
RH-207F-UE-5	8	5/16	1/2-20	24.1	6	13	RH-207F-UE-8m
RH-207F-UE-6	10	3/8	9/16-18	26.9	7.5	14	RH-207F-UE-10m
RH-207F-UE-8	12	1/2	3/4-16	31.8	9.9	19	RH-207F-UE-12m
RH-207F-UE-10	14/15/16	5/8	7/8-14	36.8	12.3	22	RH-207F-UE-14m/15m/16m
RH-207F-UE-12	18/20	3/4	1 1/16-12	42.2	15.5	27	RH-207F-UE-18m/20m
RH-207F-UE-16	25	1	1 5/16-12	46	21.5	33	RH-207F-UE-25m
RH-207F-UE-20	28/30/32	1 1/4	15/8-12	52.3	27.5	41	RH-207F-UE-28m/30m/32m
RH-207F-UE-24	35/38	1 1/2	17/8-12	59.2	33	48	RH-207F-UE-35/38

**Note:** All dimensions are subject to change without notice  
All dimensions are in mm unless specified



sales@realhydrofit.com  
reohydesales@gmail.com



www.realhydrofit.com



9869078630, 9167921882  
91 22 66573951/52/53, 23717488



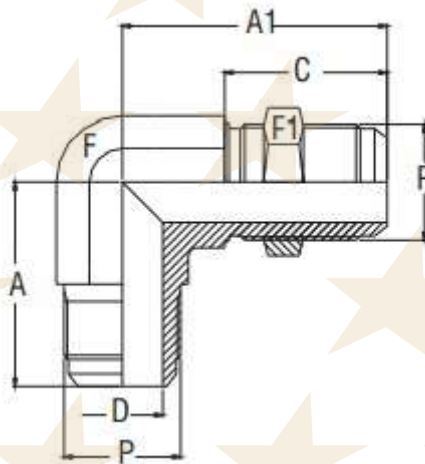


# ★★★★★ REAL HYDROFIT & CO.®

SPLTS: TUBE - PIPE FITTINGS - FLEXIBLE HOSES - HYDRAULIC FITTINGS

## 37° FLARE TUBE FITTINGS

### BULKHEAD ELBOW - MODEL NO. RH-208F-BE



Model No.	TUBE OD		THREAD UN/UNF	A	A1	C	D	F A/F	F1 A/F	Model No.
INCH	MM	INCH	P	MM	MM	MM	MM	MM	MM	MM
RH-208F-BE-4	6	1/4	7/16-20	24.6	40.4	28.3	4.4	11	17	RH-208F-BE-6m
RH-208F-BE-5	8	5/16	1/2-20	26.2	41.1	28.3	6	13	19	RH-208F-BE-8m
RH-208F-BE-6	10	3/8	9/16-18	27.7	46	30.1	7.5	14	22	RH-208F-BE-10m
RH-208F-BE-8	12	1/2	3/4-16	34.5	53.6	35	9.9	19	24	RH-208F-BE-12m
RH-208F-BE-10	14/15/16	5/8	7/8-14	39.6	60.7	38.5	12.3	22	30	RH-208F-BE-14m/15m/16m
RH-208F-BE-12	18/20	3/4	1 1/16-12	45.2	67.8	42.8	15.5	27	36	RH-208F-BE-18m/20m
RH-208F-BE-16	25	1	1 5/8-12	49	71	42.8	21.5	33	41	RH-208F-BE-25m
RH-208F-BE-20	28/30/32	1 1/4	1 5/8-12	55	76	44.1	27.5	41	50	RH-208F-BE-28m/30m/32m

**Note:** All dimensions are subject to change without notice  
All dimensions are in mm unless specified



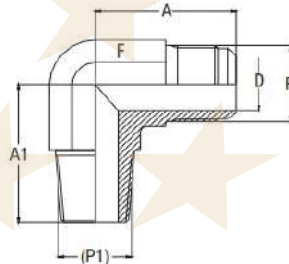


# ★★★★★ REAL HYDROFIT & CO.®

SPLTS: TUBE - PIPE FITTINGS - FLEXIBLE HOSES - HYDRAULIC FITTINGS

## 37° FLARE TUBE FITTINGS

### MALE ELBOW - MODEL NO. RH-209F-ME



Model No.	TUBE OD		THREAD UN/UNF	THREAD NPT	A	A1	D	F A/F	Model No.
INCH	MM	INCH	P	P1	MM	MM	MM	MM	MM
RH-209F-ME-4-2	6	1/4	7/16-20	1/8-27	22.6	19.8	4.4	11	RH-209F-ME-6m-2
RH-209F-ME-4-4	6	1/4	7/16-20	1/4-18	26.6	27.7	4.4	14	RH-209F-ME-6m-4
RH-209F-ME-4-6	6	1/4	7/16-20	3/8-18	28.5	27.5	4.4	19	RH-209F-ME-6m-6
RH-209F-ME-4-8	6	1/4	7/16-20	1/2-14	31	36.5	4.4	22	RH-209F-ME-6m-8
RH-209F-ME-5-2	8	5/16	1/2-20	1/8-27	24.1	19.8	6	13	RH-209F-ME-8m-2
RH-209F-ME-5-4	8	5/16	1/2-20	1/4-18	26.6	27.7	6	14	RH-209F-ME-8m-4
RH-209F-ME-6-2	10	3/8	9/16-18	1/8-27	26.9	27.7	7.5	14	RH-209F-ME-10m-2
RH-209F-ME-6-4	10	3/8	9/16-18	1/4-18	26.9	23.9	7.5	14	RH-209F-ME-10m-4
RH-209F-ME-6-6	10	3/8	9/16-18	3/8-18	29	31	7.5	19	RH-209F-ME-10m-6
RH-209F-ME-6-8	10	3/8	9/16-18	1/2-14	31	37.3	7.5	22	RH-209F-ME-10m-8
RH-209F-ME-8-4	12	1/2	3/4-16	1/4-18	31.8	31	9.9	19	RH-209F-ME-12m-4
RH-209F-ME-8-6	12	1/2	3/4-16	3/8-18	31.8	31	9.9	19	RH-209F-ME-12m-6
RH-209F-ME-8-8	12	1/2	3/4-16	1/2-14	33.8	37.3	9.9	22	RH-209F-ME-12m-8
RH-209F-ME-8-12	12	1/2	3/4-16	3/4-14	36.1	40.4	9.9	27	RH-209F-ME-12m-12
RH-209F-ME-10-6	14/15/16	5/8	7/8-14	3/8-18	36.8	32.5	12.3	22	RH-209F-ME-14m/15m/16m-6
RH-209F-ME-10-8	14/15/16	5/8	7/8-14	1/2-14	36.8	37.3	12.3	22	RH-209F-ME-14m/15m/16m-8
RH-209F-ME-10-12	14/15/16	5/8	7/8-14	3/4-14	36.2	40.5	12.3	27	RH-209F-ME-14m/15m/16m-12
RH-209F-ME-12-8	18/20	3/4	1 1/16-12	1/2-14	42.2	40.4	15.5	27	RH-209F-ME-18m/20m-8
RH-209F-ME-12-12	18/20	3/4	1 1/16-12	3/4-14	42.2	40.4	15.5	27	RH-209F-ME-18m/20m-12
RH-209F-ME-12-16	18/20	3/4	1 1/16-12	1 11.5	44.7	50	15.5	33	RH-209F-ME-18m/20m-16
RH-209F-ME-16-12	25	1	1 5/16-12	3/4-14	46	45.2	21.5	33	RH-209F-ME-25m-12
RH-209F-ME-16-16	25	1	1 5/16-12	1-11.5	46	50	21.5	33	RH-209F-ME-25m-16
RH-209F-ME-16-20	25	1	1 5/16-12	1-1/4-11.5	54	60.5	21.5	41	RH-209F-ME-25m-20
RH-209F-ME-20-16	28/30/32	1 1/4	1 5/8-12	1-11.5	52.3	59.7	27.5	41	RH-209F-ME-28m/30m/32m-16
RH-209F-ME-20-20	28/30/32	1 1/4	1 5/8-12	1 1/4-11.5	52.3	60.5	27.5	41	RH-209F-ME-28m/30m/32m-20
RH-209F-ME-20-24	28/30/32	1 1/4	1 5/8-12	1 1/2-11.5	56	67	27.5	46	RH-209F-ME-28m/30m/32m-24
RH-209F-ME-24-20	35/38	1 1/2	1 7/8-12	1 1/4-11.5	59	57	33	48	RH-209F-ME-35m/38m-20
RH-209F-ME-24-24	35/38	1 1/2	1 7/8-12	1 1/2-11.5	59	67	33	48	RH-209F-ME-35m/38m-24

**Note: All dimensions are subject to change without notice. All dimensions are in mm unless specified**



sales@realhydrofit.com  
reohydesales@gmail.com



www.realhydrofit.com



9869078630, 9167921882  
91 22 66573951/52/53, 23717488



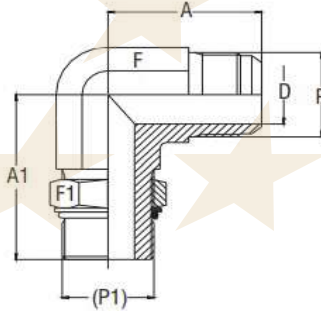


# ★★★★★ REAL HYDROFIT & CO.®

SPLTS: TUBE - PIPE FITTINGS - FLEXIBLE HOSES - HYDRAULIC FITTINGS

## 37° FLARE TUBE FITTINGS

### MALE ELBOW - MODEL NO. RH-210F-MEU



Model No.	TUBE OD		THREAD UN/UNF	THREAD UN/UNF	A	A1	D	F A/F	F1 A/F	Model No.
INCH	MM	INCH	P	P1	MM	MM	MM	MM	MM	MM
RH-210F-MEU-4-7	6	1/4	7/16-20	7/16-20	31.2	22	4.4	11	14	RH-210F-MEU-6m-7
RH-210F-MEU-4-9	6	1/4	7/16-20	9/16-18	31.2	22	4.4	14	17	RH-210F-MEU-6m-9
RH-210F-MEU-5-8	8	5/16	1/2-20	1/2-20	31.2	22	6	13	17	RH-210F-MEU-8m-8
RH-210F-MEU-5-9	8	5/16	1/2-20	9/16-18	33	23	6	14	17	RH-210F-MEU-8m-9
RH-210F-MEU-6-7	10	3/8	9/16-18	7/16-20	26.9	30.3	7.5	14	14	RH-210F-MEU-10m-7
RH-210F-MEU-6-8	10	3/8	9/16-18	1/2-20	26.9	30.3	7.5	14	17	RH-210F-MEU-10m-8
RH-210F-MEU-6-9	10	3/8	9/16-18	9/16-18	26.9	31.8	7.5	14	17	RH-210F-MEU-10m-9
RH-210F-MEU-6-12	10	3/8	9/16-18	3/4-16	29	36.8	7.5	19	22	RH-210F-MEU-10m-12
RH-210F-MEU-6-14	10	3/8	9/16-18	7/8-14	31	43.2	7.5	22	27	RH-210F-MEU-10m-14
RH-210F-MEU-8-9	12	1/2	3/4-16	9/16-18	31.8	33.5	9.9	19	17	RH-210F-MEU-12m-9
RH-210F-MEU-8-12	12	1/2	3/4-16	3/4-16	31.8	36.8	9.9	19	22	RH-210F-MEU-12m-12
RH-210F-MEU-8-14	12	1/2	3/4-16	7/8-14	33.8	43.2	9.9	22	27	RH-210F-MEU-12m-14
RH-210F-MEU-8-17	12	1/2	3/4-16	1 1/16-12	36.1	49.3	9.9	27	32	RH-210F-MEU-12m-17
RH-210F-MEU-10-12	14/15/16	5/8	7/8-14	3/4-16	36.8	39.1	12.3	22	22	RH-210F-MEU-14m/15m/16m-12
RH-210F-MEU-10-14	14/15/16	5/8	7/8-14	7/8-14	26.8	43.2	12.3	22	27	RH-210F-MEU-14m/15m/16m-14
RH-210F-MEU-10-17	14/15/16	5/8	7/8-14	1 1/16-12	39.2	49.3	12.3	27	32	RH-210F-MEU-14m/15m/16m-17
RH-210F-MEU-12-12	18/20	3/4	1 1/16-12	3/4-16	42.2	41.2	15.5	27	22	RH-210F-MEU-18m/20m-12
RH-210F-MEU-12-14	18/20	3/4	1 1/16-12	7/8-14	42.2	45.2	15.5	27	27	RH-210F-MEU-18m/20m-14
RH-210F-MEU-12-17	18/20	3/4	1 1/16-12	1 1/16-12	42.2	49.3	15.5	27	32	RH-210F-MEU-18m/20m-17
RH-210F-MEU-12-21	18/20	3/4	1 1/16-12	1 5/16-12	44.7	52.1	15.5	33	41	RH-210F-MEU-18m/20m-21
RH-210F-MEU-16-17	25	1	1 5/16-12	1 1/16-12	46	52.1	21.5	33	32	RH-210F-MEU-25m-17
RH-210F-MEU-16-21	25	1	1 5/16-12	1 5/16-12	46	52.1	21.5	33	41	RH-210F-MEU-25m-21
RH-210F-MEU-16-26	25	1	1 5/16-12	1 5/8-12	52.3	57.2	21.5	41	41	RH-210F-MEU-25m-26
RH-210F-MEU-20-26	28/30/32	1 1/4	1 5/8-12	1 5/8-12	52.3	57.2	27.5	41	50	RH-210F-MEU-28m/30m/32m-26
RH-210F-MEU-24-30	35/38	1 1/2	1 7/8-12	1 7/8-12	59.2	60.7	33	48	55	RH-210F-MEU-35m/38m-30

**Note:** All dimensions are subject to change without notice. All dimensions are in mm unless specified



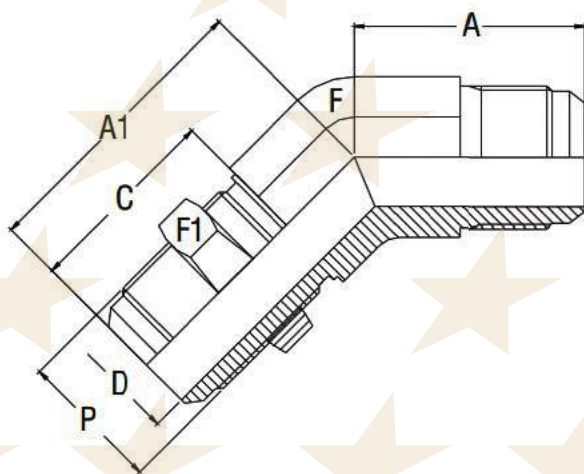


# ★★★★★ REAL HYDROFIT & CO.®

SPLTS: TUBE - PIPE FITTINGS - FLEXIBLE HOSES - HYDRAULIC FITTINGS

## 37° FLARE TUBE FITTINGS

### 45° BULKHEAD ELBOW - MODEL NO. RH-211F-ABE



Model No.	TUBE OD		THREAD UN/UNF	A	A1	C	D	F	F1	Model No.
INCH	MM	INCH	P	MM	MM	MM	MM	MM	MM	MM
RH-211F-ABE-4	6	1/4	7/16-20	24.6	40.4	28.3	4.4	11	17	RH-211F-ABE-6m
RH-211F-ABE-5	8	5/16	1/2-20	26.2	41.1	28.3	6	13	19	RH-211F-ABE-8m
RH-211F-ABE-6	10	3/8	9/16-18	27.7	46	30.1	7.5	14	22	RH-211F-ABE-10m
RH-211F-ABE-8	12	1/2	3/4-16	34.5	53.6	35	9.9	19	24	RH-211F-ABE-12m
RH-211F-ABE-10	14/15/16	5/8	7/8-14	39.6	60.7	38.5	12.3	22	30	RH-211F-ABE-14m/15m/16m
RH-211F-ABE-12	18/20	3/4	1 1/16-12	45.2	67.8	42.8	15.5	27	36	RH-211F-ABE-18m/20m
RH-211F-ABE-16	25	1	1 5/16-12	49	71	42.8	21.5	33	41	RH-211F-ABE-25m

**Note:** All dimensions are subject to change without notice  
All dimensions are in mm unless specified



sales@realhydrofit.com  
reohydesales@gmail.com



www.realhydrofit.com



9869078630, 9167921882  
91 22 66573951/52/53, 23717488



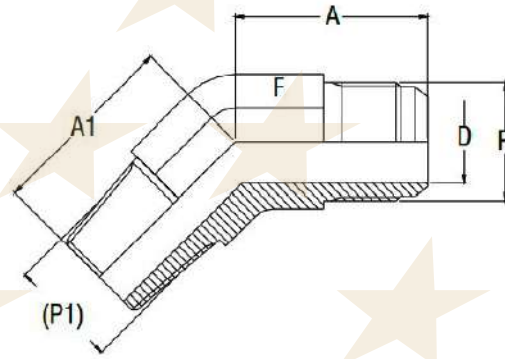


# ★★★★★ REAL HYDROFIT & CO.®

SPLTS: TUBE - PIPE FITTINGS - FLEXIBLE HOSES - HYDRAULIC FITTINGS

## 37° FLARE TUBE FITTINGS

### 45° MALE ELBOW - MODEL NO. RH-212F-AME



Model No.	TUBE OD		THREAD UN/UNF	THREAD NPT	A	A1	D	F A/F	Model No.
INCH	MM	INCH	P	P1	MM	MM	MM	MM	MM
RH-212F-AME-4-2	6	1/4	7/16-20	1/8-27	18.3	16.3	4.4	11	RH-212F-AME-6m-2
RH-212F-AME-4-4	6	1/4	7/16-20	1/4-18	20.8	21.8	4.4	14	RH-212F-AME-6m-4
RH-212F-AME-5-2	8	5/16	1/2-20	1/8-27	19.6	16.3	6	13	RH-212F-AME-8m-2
RH-212F-AME-5-4	8	5/16	1/2-20	1/4-18	20.8	21.8	6	14	RH-212F-AME-8m-4
RH-212F-AME-6-2	10	3/8	9/16-18	1/8-27	21.1	21.8	7.5	14	RH-212F-AME-10m-2
RH-212F-AME-6-4	10	3/8	9/16-18	1/4-18	21	17	7.5	14	RH-212F-AME-10m-4
RH-212F-AME-6-6	10	3/8	9/16-18	3/8-18	22.1	24.1	7.5	19	RH-212F-AME-10m-6
RH-212F-AME-6-8	10	3/8	9/16-18	1/2-14	22.4	29.7	7.5	22	RH-212F-AME-10m-8
RH-212F-AME-8-4	12	1/2	3/4-16	1/4-18	25	24	9.9	19	RH-212F-AME-12m-4
RH-212F-AME-8-6	12	1/2	3/4-16	3/8-18	24.9	24.1	9.9	19	RH-212F-AME-12m-6
RH-212F-AME-8-8	12	1/2	3/4-16	1/2-14	24.9	29.7	9.9	22	RH-212F-AME-12m-8
RH-212F-AME-8-12	12	1/2	3/4-16	3/4-14	26.5	30.5	9.9	27	RH-212F-AME-12m-12
RH-212F-AME-10-6	14/15/16	5/8	7/8-14	3/8-18	28	25	12.3	22	RH-212F-AME-14m/15m/16m-6
RH-212F-AME-10-8	14/15/16	5/8	7/8-14	1/2-14	28.2	29.7	12.3	22	RH-212F-AME-14m/15m/16m-8
RH-212F-AME-10-12	14/15/16	5/8	7/8-14	3/4-14	29.5	30.5	12.3	27	RH-212F-AME-14m/15m/16m-12
RH-212F-AME-12-8	18/20	3/4	1 1/16-12	1/2-14	32.5	30.5	15.5	27	RH-212F-AME-18m/20m-8
RH-212F-AME-12-12	18/20	3/4	1 1/16-12	3/4-14	32.5	33	15.5	27	RH-212F-AME-18m/20m-12
RH-212F-AME-12-16	18/20	3/4	1 1/16-12	1-11.5	36	32.5	15.5	33	RH-212F-AME-18m/20m-16
RH-212F-AME-16-12	25	1	1 5/16-12	3/4-14	37.5	37.6	21.5	33	RH-212F-AME-25m-12
RH-212F-AME-16-16	25	1	1 5/16-12	1-11.5	37.3	37.6	21.5	33	RH-212F-AME-25m-16
RH-212F-AME-20-20	28/30/32	1 1/4	1 5/8-12	1 1/4-11.5	40.4	42.4	27.5	41	RH-212F-AME-28m/30m/32m-20
RH-212F-AME-24-24	35/38	1 1/2	1 7/8-12	1 1/2-11.5	45.2	45	33	48	RH-212F-AME-35m/38m-24

**Note:** All dimensions are subject to change without notice  
All dimensions are in mm unless specified



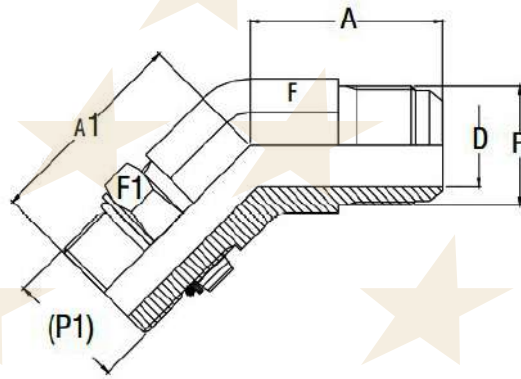


# ★★★★★ REAL HYDROFIT & CO.®

SPLTS: TUBE - PIPE FITTINGS - FLEXIBLE HOSES - HYDRAULIC FITTINGS

## 37° FLARE TUBE FITTINGS

### 45° MALE ELBOW - MODEL NO. RH-213F-AMEU



Model No.	TUBE OD		THREAD UN/UNF		A	A1	D	F	F1	Model No.
INCH	MM	INCH	P	P1	MM	MM	MM	MM	MM	MM
RH-213F-AMEU-4-7	6	1/4	7/16-20	7/16-20	18.3	26.7	4.4	11	14	RH-213F-AMEU-6m-7
RH-213F-AMEU-5-8	8	5/16	1/2-20	1/2-20	19.6	26.7	6	13	17	RH-213F-AMEU-8m-8
RH-213F-AMEU-6-9	10	3/8	9/16-18	9/16-20	21.1	29	7.5	14	17	RH-213F-AMEU-10m-9
RH-213F-AMEU-6-12	10	3/8	9/16-18	3/4-16	24.9	29.7	7.5	19	17	RH-213F-AMEU-10m-12
RH-213F-AMEU-8-12	12	1/2	3/4-16	3/4-16	24.9	33	9.9	19	22	RH-213F-AMEU-12m-12
RH-213F-AMEU-8-14	12	1/2	3/4-16	7/8-14	25.2	38.6	9.9	22	27	RH-213F-AMEU-12m-14
RH-213F-AMEU-10-12	14/15/16	5/8	7/8-14	3/4-16	28.2	34.5	12.3	22	22	RH-213F-AMEU-14m/15m/16m-12
RH-213F-AMEU-10-14	14/15/16	5/8	7/8-14	7/8-14	28.2	38.6	12.3	22	27	RH-213F-AMEU-14m/15m/16m-14
RH-213F-AMEU-12-14	18/20	3/4	1 1/16-12	7/8-14	32.5	39.8	15.5	27	27	RH-213F-AMEU-18m/20m-14
RH-213F-AMEU-12-17	18/20	3/4	1 1/16-12	1 1/16-12	32.5	43.9	15.5	27	32	RH-213F-AMEU-18m/20m-17
RH-213F-AMEU-16-21	25	1	1 5/16-12	1 5/16-12	37.3	47.2	21.5	33	41	RH-213F-AMEU-25m-21
RH-213F-AMEU-20-26	28/30/32	1 1/4	1 5/8-12	1 5/8-12	40.4	48.5	27.5	41	50	RH-213F-AMEU-28m/30m/32m-26
RH-213F-AMEU-24-30	35/38	1 1/2	1 7/8-12	1 7/8-12	45.2	48.5	33	48	55	RH-213F-AMEU-35m/38m-30

**Note:** All dimensions are subject to change without notice  
All dimensions are in mm unless specified



sales@realhydrofit.com  
reohydesales@gmail.com



www.realhydrofit.com



9869078630, 9167921882  
91 22 66573951/52/53, 23717488

48

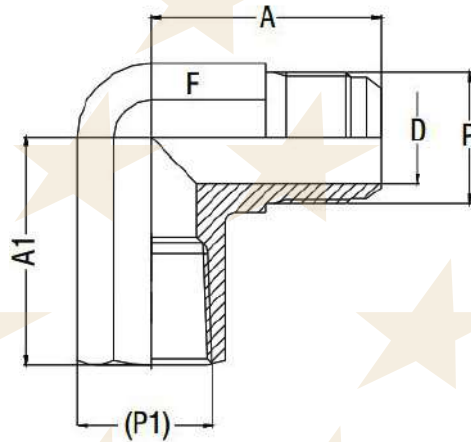




# ★★★★★ REAL HYDROFIT & CO.®

SPLTS: TUBE - PIPE FITTINGS - FLEXIBLE HOSES - HYDRAULIC FITTINGS

## 37° FLARE TUBE FITTINGS FEMALE ELBOW - MODEL NO. RH-214F-FE



Model No.	TUBE OD		THREAD UN/UNF	THREAD NPT	A	A1	D	F A/F	Model No.
INCH	MM	INCH	P	P1	MM	MM	MM	MM	MM
RH-214F-FE-4-2	6	1/4	7/16-20	1/8-27	27.4	16.8	4.4	14	RH-214F-FE-6m-2
RH-214F-FE-4-4	6	1/4	7/16-20	1/4-18	31	22.3	4.4	19	RH-214F-FE-6m-4
RH-214F-FE-5-2	8	5/16	1/2-20	1/8-27	27.4	16.8	6	14	RH-214F-FE-8m-2
RH-214F-FE-5-4	8	5/16	1/2-20	1/4-18	28.7	22.3	6	19	RH-214F-FE-8m-4
RH-214F-FE-6-2	10	3/8	9/16-18	1/8-27	31.2	17	7.5	14	RH-214F-FE-10m-2
RH-214F-FE-6-4	10	3/8	9/16-18	1/4-18	31.2	22.3	7.5	19	RH-214F-FE-10m-4
RH-214F-FE-6-6	10	3/8	9/16-18	3/8-18	33.3	25.9	7.5	22	RH-214F-FE-10m-6
RH-214F-FE-8-4	12	1/2	3/4-16	1/4-18	36.1	25.6	9.9	19	RH-214F-FE-12m-4
RH-214F-FE-8-6	12	1/2	3/4-16	3/8-18	36.1	25.9	9.9	22	RH-214F-FE-12m-6
RH-214F-FE-8-8	12	1/2	3/4-16	1/2-14	38.7	31.2	9.9	27	RH-214F-FE-12m-8
RH-214F-FE-10-8	14/15/16	5/8	7/8-14	1/2-14	41.7	31.2	12.3	27	RH-214F-FE-14m/15m/16m-8
RH-214F-FE-12-8	18/20	3/4	1 1/16-12	1/2-14	48	34.3	15.5	27	RH-214F-FE-18m/20m-8
RH-214F-FE-12-12	18/20	3/4	1 1/16-12	3/4-14	48	34.5	15.5	33	RH-214F-FE-18m/20m-12
RH-214F-FE-16-16	25	1	1 5/16-12	1-11.5	55.1	41.4	21.5	41	RH-214F-FE-25m-16
RH-214F-FE-20-20	28/30/32	1 1/4	1 5/8-12	1 1/4-11.5	59.2	43.2	27.5	48	RH-214F-FE-28m/30m/32m-20

**Note:** All dimensions are subject to change without notice  
All dimensions are in mm unless specified

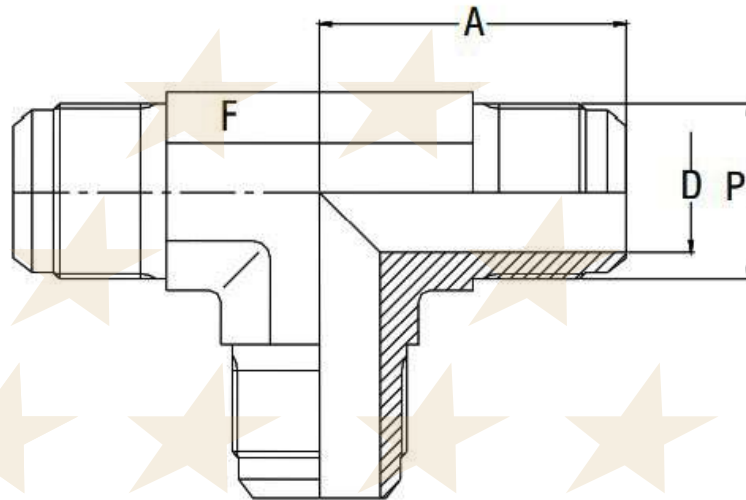




# ★★★★★ REAL HYDROFIT & CO.®

SPLTS: TUBE - PIPE FITTINGS - FLEXIBLE HOSES - HYDRAULIC FITTINGS

## 37° FLARE TUBE FITTINGS UNION TEE - MODEL NO. RH-215F-UT



Model No.	TUBE OD		THREAD UN/UNF	A	F A/F	D	Model No.
INCH	MM	INCH	P	MM	MM	MM	MM
RH-215F-UT-4	6	1/4	7/16-20	22.6	4.4	11	RH-215F-UT-6m
RH-215F-UT-5	8	5/16	1/2-20	24.1	6	13	RH-215F-UT-8m
RH-215F-UT-6	10	3/8	9/16-18	26.9	7.5	14	RH-215F-UT-10m
RH-215F-UT-8	12	1/2	3/4-16	31.8	9.9	19	RH-215F-UT-12m
RH-215F-UT-10	14/15/16	5/8	7/8-14	36.8	12.3	22	RH-215F-UT-14m/15m/16m
RH-215F-UT-12	18/20	3/4	1 1/16-12	42.2	15.5	27	RH-215F-UT-18m/20m
RH-215F-UT-16	25	1	1 5/16-12	46	21.5	33	RH-215F-UT-25m
RH-215F-UT-20	28/30/32	1 1/4	15/8-12	52.3	27.5	41	RH-215F-UT-28m/30m/32m
RH-215F-UT-24	35/38	1 1/2	17/8-12	59.2	33	48	RH-215F-UT-35m/38m

**Note:** All dimensions are subject to change without notice  
All dimensions are in mm unless specified



[sales@realhydrofit.com](mailto:sales@realhydrofit.com)  
[reohydesales@gmail.com](mailto:reohydesales@gmail.com)



[www.realhydrofit.com](http://www.realhydrofit.com)



9869078630, 9167921882  
91 22 66573951/52/53, 23717488



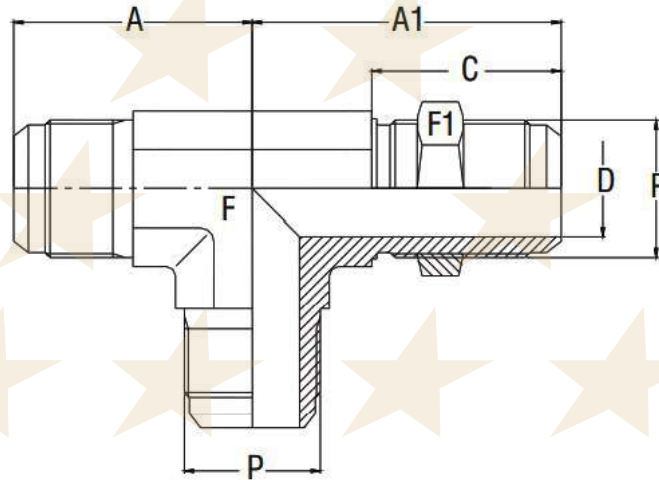


# ★★★★★ REAL HYDROFIT & CO.®

SPLTS: TUBE - PIPE FITTINGS - FLEXIBLE HOSES - HYDRAULIC FITTINGS

## 37° FLARE TUBE FITTINGS

### BULKHEAD RUN TEE - MODEL NO. RH-216F-BRT



Model No.	TUBE OD		THREAD UN/UNF	A	A1	C	D	F A/F	F1 A/F	Model No.
INCH	MM	INCH	P	MM	MM	MM	MM	MM	MM	MM
RH-216F-BRT-4	6	1/4	7/16-20	24.6	40.4	28.3	4.4	11	17	RH-216F-BRT-6m
RH-216F-BRT-5	8	5/16	1/2-20	26.2	41.1	28.3	6	13	19	RH-216F-BRT-8m
RH-216F-BRT-6	10	3/8	9/16-18	27.7	46	30.1	7.5	14	22	RH-216F-BRT-10m
RH-216F-BRT-8	12	1/2	3/4-16	34.5	53.6	35	9.9	19	24	RH-216F-BRT-12m
RH-216F-BRT-10	14/15/16	5/8	7/8-14	39.6	60.7	38.5	12.3	22	30	RH-216F-BRT-14m/15m/16m
RH-216F-BRT-12	18/20	3/4	1 1/16-12	45.2	67.8	42.8	15.5	27	36	RH-216F-BRT-18m/20m
RH-216F-BRT-16	25	1	1 5/16-12	49	71	42.8	21.5	33	41	RH-216F-BRT-25m

**Note:** All dimensions are subject to change without notice  
All dimensions are in mm unless specified



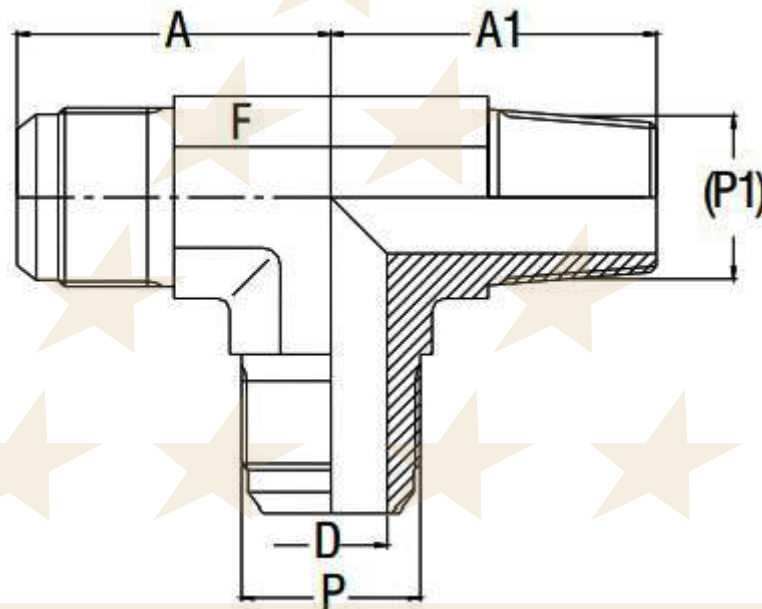


# ★★★★★ REAL HYDROFIT & CO.®

SPLTS: TUBE - PIPE FITTINGS - FLEXIBLE HOSES - HYDRAULIC FITTINGS

## 37° FLARE TUBE FITTINGS

### MALE RUN TEE - MODEL NO. RH-217F-MRT



Model No.	TUBE OD		THREAD UN/UNF	THREAD NPT	A	A1	D	F A/F	Model No.
INCH	MM	INCH	P	P1	MM	MM	MM	MM	MM
RH-217F-MRT-4-2	6	1/4	7/16-20	1/8-27	22.6	20	4.4	11	RH-217F-MRT-6m-2
RH-217F-MRT-4-4	6	1/4	7/16-20	1/4-18	26.5	27.5	4.4	14	RH-217F-MRT-6m-4
RH-217F-MRT-5-2	8	5/16	1/2-20	1/8-27	24.5	20	6	13	RH-217F-MRT-8m-2
RH-217F-MRT-6-4	10	3/8	9/16-18	1/4-18	26.9	27.7	7.5	14	RH-217F-MRT-10m-4
RH-217F-MRT-6-6	10	3/8	9/16-18	3/8-18	29	31	7.5	19	RH-217F-MRT-10m-6
RH-217F-MRT-8-6	12	1/2	3/4-16	3/8-18	31.8	31	9.9	19	RH-217F-MRT-12m-6
RH-217F-MRT-8-8	12	1/2	3/4-16	1/2-14	33.8	37.3	9.9	22	RH-217F-MRT-12m-8
RH-217F-MRT-10-8	14/15/16	5/8	7/8-14	1/2-14	36.8	37.3	12.3	22	RH-217F-MRT-14m/15m/16m-8
RH-217F-MRT-12-12	18/20	3/4	1 1/16-12	3/4-14	42.2	40.4	15.5	27	RH-217F-MRT-18m/20m-12
RH-217F-MRT-16-16	25	1	1 5/16-12	1-11.5	46	50	21.5	33	RH-217F-MRT-25m-16
RH-217F-MRT-20-20	28/30/32	1 1/4	15/8-12	1 1/4-11.5	52.5	60.5	27.5	41	RH-217F-MRT-28m/30m/32m-20
RH-217F-MRT-24-24	35/38	1 1/2	17/8-12	1 1/2-11.5	59	67	33	48	RH-217F-MRT-35m/38m-24

**Note:** All dimensions are subject to change without notice  
All dimensions are in mm unless specified



sales@realhydrofit.com  
reohydesales@gmail.com



www.realhydrofit.com



9869078630, 9167921882  
91 22 66573951/52/53, 23717488



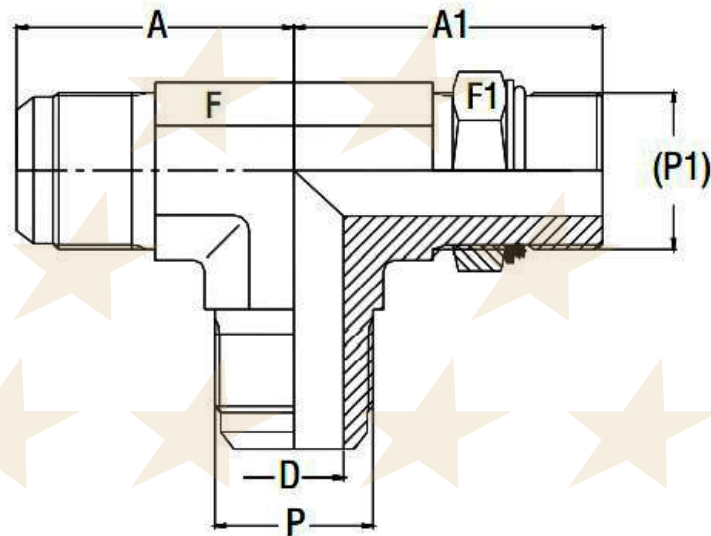


# ★★★★★ REAL HYDROFIT & CO.®

SPLTS: TUBE - PIPE FITTINGS - FLEXIBLE HOSES - HYDRAULIC FITTINGS

## 37° FLARE TUBE FITTINGS

### MALE RUN TEE - MODEL NO. RH-218F-MRTU



Model No.	TUBE OD		THREAD UN/UNF	THREAD UN/UNF	A	A1	D	F A/F	F1 A/F	Model No.
INCH	MM	INCH	P	P1	MMMM	MM	MM	MM	MM	MM
RH-218F-MRTU-4-7	6	1/4	7/16-20	7/16-20	22.6	40.4	4.4	11	14	RH-218F-MRTU-6m-7
RH-218F-MRTU-5-8	8	5/16	1/2-20	1/2-20	24.1	41.1	6	13	17	RH-218F-MRTU-8m-8
RH-218F-MRTU-6-9	10	3/8	9/16-18	9/16-20	26.9	46	7.5	14	17	RH-218F-MRTU-10m-9
RH-218F-MRTU-8-12	12	1/2	3/4-16	3/4-16	31.8	53.6	9.9	19	22	RH-218F-MRTU-12m-12
RH-218F-MRTU-10-14	14/15/16	5/8	7/8-14	7/8-14	36.8	60.7	12.3	22	27	RH-218F-MRTU-14m/15m/16m-14
RH-218F-MRTU-12-17	18/20	3/4	1 1/16-12	1 1/16-12	42.2	67.8	15.5	27	32	RH-218F-MRTU-18m/20m-17
RH-218F-MRTU-16-21	25	1	1 5/16-12	1 5/16-12	46	71.0	21.5	33	41	RH-218F-MRTU-25m-21
RH-218F-MRTU-20-26	28/30/32	1 1/4	1 5/8-12	1 5/8-12	52.3	76	27.5	41	50	RH-218F-MRTU-28m/30m/32m-26
RH-218F-MRTU-24-30	35/38	1 1/2	1 7/8-12	1 7/8-12	59.2	81	33	48	55	RH-218F-MRTU-35m/38m-30

**Note:** All dimensions are subject to change without notice  
All dimensions are in mm unless specified



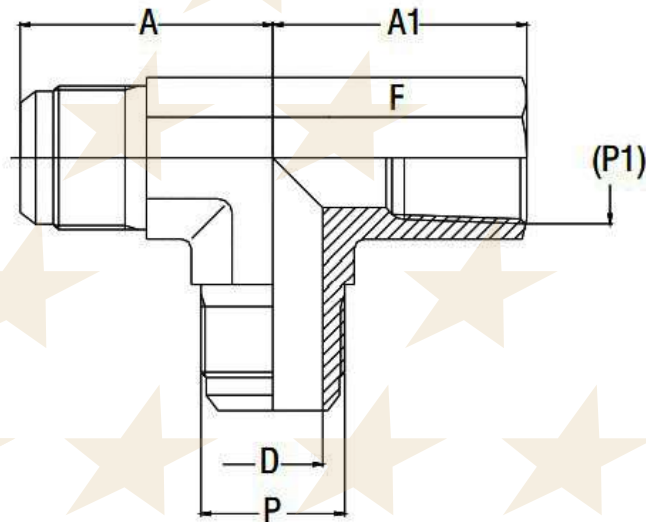


# ★★★★★ REAL HYDROFIT & CO.®

SPLTS: TUBE - PIPE FITTINGS - FLEXIBLE HOSES - HYDRAULIC FITTINGS

## 37° FLARE TUBE FITTINGS

### FEMALE RUN TEE - MODEL NO. RH-219F-FRT



Model No.	TUBE OD		THREAD UN/UNF	THREAD NPT	A	A1	D	F A/F	Model No.
INCH	MM	INCH	P	P1	MM	MM	MM	MM	MM
RH-219F-FRT-4-2	6	1/4	7/16-20	1/8-27	27.4	16.8	4.4	14	RH-219F-FRT-6m-2
RH-219F-FRT-4-4	6	1/4	7/16-20	1/4-18	31	22.3	4.4	19	RH-219F-FRT-6m-4
RH-219F-FRT-5-2	8	5/16	1/2-20	1/8-27	27.4	16.8	6	14	RH-219F-FRT-8m-2
RH-219F-FRT-5-4	8	5/16	1/2-20	1/4-18	28.4	22.3	6	19	RH-219F-FRT-8m-4
RH-219F-FRT-6-2	10	3/8	9/16-18	1/8-27	31.2	17	7.5	14	RH-219F-FRT-10m-2
RH-219F-FRT-6-4	10	3/8	9/16-18	1/4-18	31.2	22.3	7.5	19	RH-219F-FRT-10m-4
RH-219F-FRT-6-6	10	3/8	9/16-18	3/8-18	33.3	25.9	7.5	22	RH-219F-FRT-10m-6
RH-219F-FRT-8-4	12	1/2	3/4-16	1/4-18	36.1	25.6	9.9	19	RH-219F-FRT-12m-4
RH-219F-FRT-8-6	12	1/2	3/4-16	3/8-18	36.1	25.9	9.9	22	RH-219F-FRT-12m-6
RH-219F-FRT-8-8	12	1/2	3/4-16	1/2-14	38.7	31.2	9.9	27	RH-219F-FRT-12m-8
RH-219F-FRT-10-8	14/15/16	5/8	7/8-14	1/2-14	41.7	31.2	12.3	27	RH-219F-FRT-14m-15m-16m-8
RH-219F-FRT-12-8	18/20	3/4	1 1/16-12	1/2-14	48	34.3	15.5	27	RH-219F-FRT-18m/20m-8
RH-219F-FRT-12-12	18/20	3/4	1 1/16-12	3/4-14	48	34.5	15.5	33	RH-219F-FRT-18m/20m-12
RH-219F-FRT-16-16	25	1	1 5/16-12	1-11.5	55.1	41.4	21.5	41	RH-219F-FRT-25m-16
RH-219F-FRT-20-20	28/30/32	1 1/4	1 5/8-12	1 1/4-11.5	59.2	43.2	27.5	48	RH-219F-FRT-28m/30m/32m-20

**Note:** All dimensions are subject to change without notice  
All dimensions are in mm unless specified



sales@realhydrofit.com  
reohydesales@gmail.com



www.realhydrofit.com



9869078630, 9167921882  
91 22 66573951/52/53, 23717488

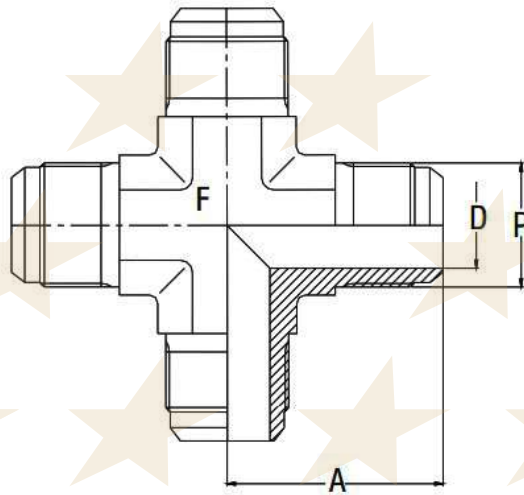




# ★★★★★ REAL HYDROFIT & CO.®

SPLTS: TUBE - PIPE FITTINGS - FLEXIBLE HOSES - HYDRAULIC FITTINGS

## 37° FLARE TUBE FITTINGS UNION CROSS - MODEL NO. RH-220F-UC



Model No.	TUBE OD		THREAD UN/UNF	A	D	F A/F	Model No.
INCH	MM	INCH	P	MM	MM	MM	MM
RH-220F-UC-4	6	1/4	7/16-20	22.6	4.4	11	RH-220F-UC-6m
RH-220F-UC-5	8	5/16	1/2-20	24.1	6	13	RH-220F-UC-8m
RH-220F-UC-6	10	3/8	9/16-18	26.9	7.5	14	RH-220F-UC-10m
RH-220F-UC-8	12	1/2	3/4-16	31.8	9.9	19	RH-220F-UC-12m
RH-220F-UC-10	14/15/16	5/8	7/8-14	36.8	12.3	22	RH-220F-UC-14m/15m/16m
RH-220F-UC-12	18/20	3/4	1 1/16-12	42.2	15.5	27	RH-220F-UC-18m/20m
RH-220F-UC-16	25	1	1 5/16-12	46	21.5	33	RH-220F-UC-25m
RH-220F-UC-20	28/30/32	1 1/4	15/8-12	52.3	27.5	41	RH-220F-UC-28m/30m/32m
RH-220F-UC-24	35/38	1 1/2	17/8-12	59.2	33	48	RH-220F-UC-35m/38m

**Note:** All dimensions are subject to change without notice  
All dimensions are in mm unless specified



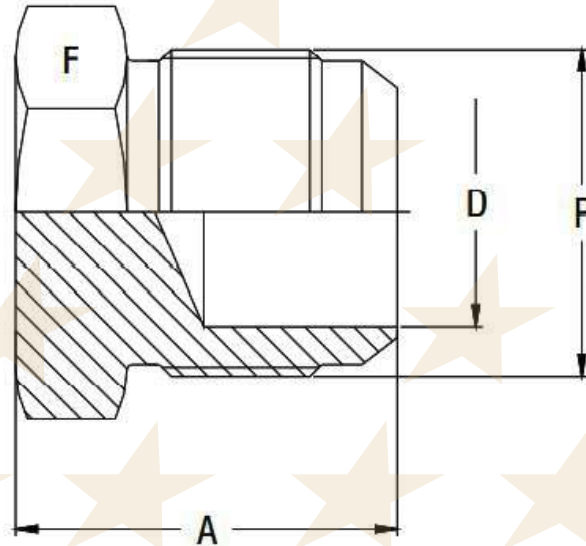


# ★★★★★ REAL HYDROFIT & CO.®

SPLTS: TUBE - PIPE FITTINGS - FLEXIBLE HOSES - HYDRAULIC FITTINGS

## 37° FLARE TUBE FITTINGS

### PIPE END CLOSURE - MODEL NO. RH-221F-TC



Model No.	TUBE OD		THREAD	A	D	F	Model No.
INCH	MM	INCH	P	MM	MM	MM	MM
RH-221F-TC-4	6	1/4	7/16-20	20.3	4.4	13	RH-221F-TC-6m
RH-221F-TC-5	8	5/16	1/2-20	20.3	6	14	RH-221F-TC-8m
RH-221F-TC-6	10	3/8	9/16-18	21.3	7.5	16	RH-221F-TC-10m
RH-221F-TC-8	12	1/2	3/4-16	23.9	9.9	19	RH-221F-TC-12m
RH-221F-TC-10	14/15/16	5/8	7/8-14	27.9	12.3	24	RH-221F-TC-14m/15m/16m
RH-221F-TC-12	18/20	3/4	1 1/6-12	32.5	15.5	27	RH-221F-TC-18m/20m
RH-221F-TC-16	25	1	1 5/16-12	33.8	21.5	36	RH-221F-TC-25m
RH-221F-TC-20	28/30/32	1 1/4	15/8-12	36.8	27.5	46	RH-221F-TC-28m/30m/32m
RH-221F-TC-24	35/38	1 1/2	17/8-12	42.2	33	51	RH-221F-TC-35m/38m

**Note:** All dimensions are subject to change without notice  
All dimensions are in mm unless specified

sales@realhydrofit.com  
reohydesales@gmail.com

www.realhydrofit.com

9869078630, 9167921882  
91 22 66573951/52/53, 23717488

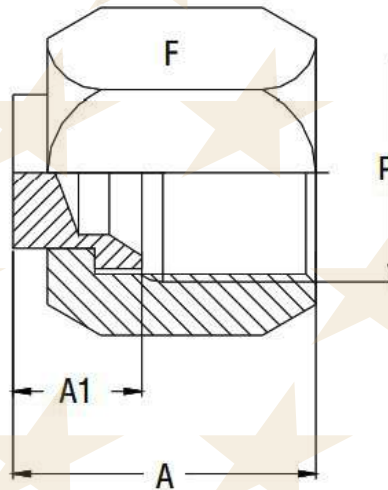




# ★★★★★ REAL HYDROFIT & CO.®

SPLTS: TUBE - PIPE FITTINGS - FLEXIBLE HOSES - HYDRAULIC FITTINGS

## 37° FLARE TUBE FITTINGS FITTING END CLOSURE - MODEL NO. RH-222F-TP



Model No.	TUBE OD		THREAD UN/UNF	A	D	F A/F	Model No.
INCH	MM	INCH	P	MM	MM	MM	MM
RH-222F-TP-4	6	1/4	7/16-20	17	9	14	RH-222F-TP-6m
RH-222F-TP-5	8	5/16	1/2-20	19.5	10.5	17	RH-222F-TP-8m
RH-222F-TP-6	10	3/8	9/16-18	20.5	10.5	19	RH-222F-TP-10m
RH-222F-TP-8	12	1/2	3/4-16	23.9	13	22	RH-222F-TP-12m
RH-222F-TP-10	14/15/16	5/8	7/8-14	27.1	14	27	RH-222F-TP-14m/15m/16m
RH-222F-TP-12	18/20	3/4	1 1/16-12	31.6	14	32	RH-222F-TP-18m/20m
RH-222F-TP-16	25	1	1 5/16-12	32.8	17	41	RH-222F-TP-25m
RH-222F-TP-20	28/30/32	1 1/4	1 5/8-12	35.47	19	50	RH-222F-TP-28m/30m/32m
RH-222F-TP-24	35/38	1 1/2	1 7/8-12	43.2	21	60	RH-222F-TP-35m/38m

**Note:** All dimensions are subject to change without notice  
All dimensions are in mm unless specified

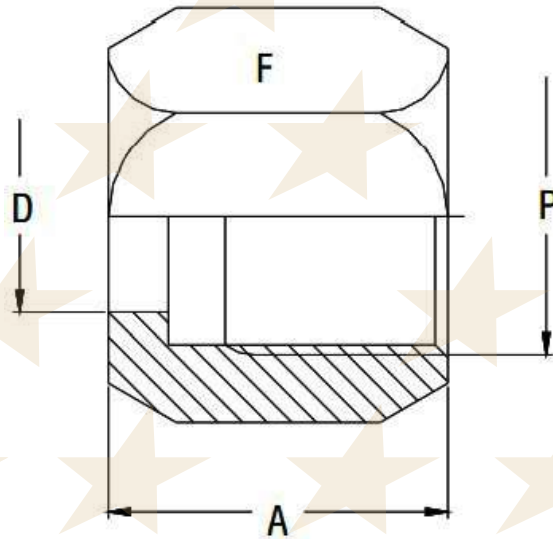




# ★★★★★ REAL HYDROFIT & CO.®

SPLTS: TUBE - PIPE FITTINGS - FLEXIBLE HOSES - HYDRAULIC FITTINGS

## 37° FLARE TUBE FITTINGS NUTS - MODEL NO. RH-223F-N



Model No.	TUBE OD		THREAD UN/UNF	A	D	F A/F	Model No.
INCH	MM	INCH	P	MM	MM	MM	MM
RH-223F-N-4	6	1/4	7/16-20	15.5	7.8	14	RH-223F-N-6m
RH-223F-N-5	8	5/16	1/2-20	17	9.5	17	RH-223F-N-8m
RH-223F-N-6	10	3/8	9/16-18	18.3	11.2	19	RH-223F-N-10m
RH-223F-N-8	12	1/2	3/4-16	21.3	14.5	22	RH-223F-N-12m
RH-223F-N-10	14/15/16	5/8	7/8-14	24.6	17.8	27	RH-223F-N-14m/15m/16m
RH-223F-N-12	18/20	3/4	1 1/6-12	25.9	21.2	32	RH-223F-N-18m/20m
RH-223F-N-16	25	1	1 5/16-12	28.4	27.7	41	RH-223F-N-25m
RH-223F-N-20	28/30/32	1 1/4	1 5/8-12	31	34.2	50	RH-223F-N-28m/30m/32m
RH-223F-N-24	35/38	1 1/2	1 7/8-12	35.8	41	60	RH-223F-N-35m/38m

**Note:** All dimensions are subject to change without notice  
All dimensions are in mm unless specified



sales@realhydrofit.com  
reohydesales@gmail.com



www.realhydrofit.com



9869078630, 9167921882  
91 22 66573951/52/53, 23717488

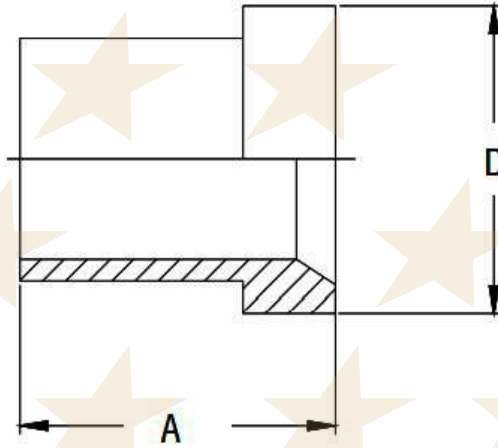




# ★★★★★ REAL HYDROFIT & CO.®

SPLTS: TUBE - PIPE FITTINGS - FLEXIBLE HOSES - HYDRAULIC FITTINGS

## 37° FLARE TUBE FITTINGS SLEEVES - MODEL NO. RH-224F-S



Model No.	TUBE OD		A	D	Model No.
INCH	MM	INCH	MM	MM	MM®
RH-224F-S-4	6	1/4	10.4	9.7	RH-224F-S-6m
RH-224F-S-5	8	5/16	11.2	11.3	RH-224F-S-8m
RH-224F-S-6	10	3/8	12.7	12.7	RH-224F-S-10m
RH-224F-S-8	12	1/2	14.2	17.3	RH-224F-S-12m
RH-224F-S-10	14/15/16	5/8	16.8	20.8	RH-224F-S-14m/15m/16m
RH-224F-S-12	18/20	3/4	17.3	24.7	RH-224F-S-18m/20m
RH-224F-S-16	25	1	19.8	31	RH-224F-S-25m
RH-224F-S-20	28/30/32	1 1/4	23.1	38.9	RH-224F-S-28m/30m/32m
RH-224F-S-24	35/38	1 1/2	28.4	45.3	RH-224F-S-35m/38m

**Note:** All dimensions are subject to change without notice  
All dimensions are in mm unless specified





# ★★★★★ REAL HYDROFIT & CO.®

SPLTS: TUBE - PIPE FITTINGS - FLEXIBLE HOSES - HYDRAULIC FITTINGS

## PIPE FITTINGS

### PLUG - MODEL NO. RH-225-P

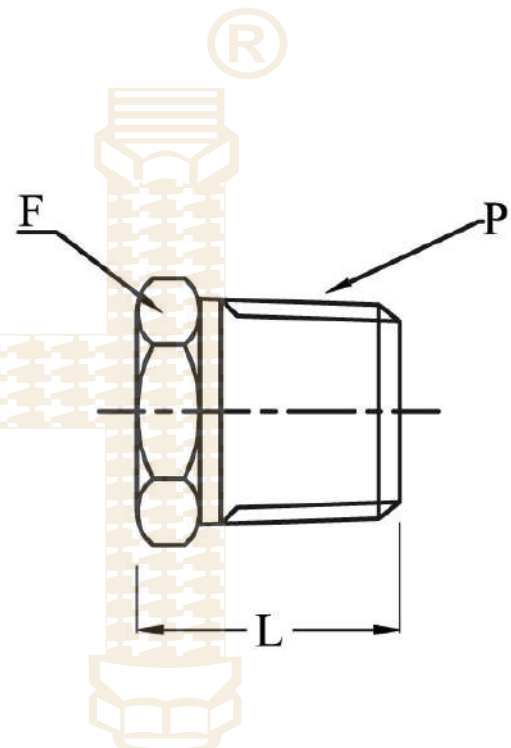
#### 6000 PSI (3K & 6K)

Model No.	P Male NPT Size	L	F A/F
RH-225-P-2N	1/8"	16.0	12.7
RH-225-P-4N	1/4"	21.0	14.0
RH-225-P-6N	3/8"	21.0	19.0
RH-225-P-8N	1/2"	25.0	22.0
RH-225-P-12N	3/4"	28.0	28.0
RH-225-P-16N	1"	34.0	36.0
RH-225-P-20N	1-1/4"	40.0	46.0
RH-225-P-24N	1-1/2"	40.0	50.0
RH-225-P-32N	2"	40.0	65.0



#### 10000 PSI (10K)

Model No.	P Male NPT Size	L	F A/F
RH-225-P-2N-10K	1/8"	18.0	14.0
RH-225-P-4N-10K	1/4"	22.0	16.0
RH-225-P-6N-10K	3/8"	22.0	22.0
RH-225-P-8N-10K	1/2"	30.0	25.0
RH-225-P-12N-10K	3/4"	30.0	32.0
RH-225-P-16N-10K	1"	40.0	41.0
RH-225-P-20N-10K	1-1/4"	40.0	50.0
RH-225-P-24N-10K	1-1/2"	40.0	55.0
RH-225-P-32N-10K	2"	40.0	70.0



\*End Connections other thread on Request.

**Note:** All dimensions are subject to change without notice  
All dimensions are in mm unless specified



sales@realhydrofit.com  
reohydesales@gmail.com



www.realhydrofit.com



9869078630, 9167921882  
91 22 66573951/52/53, 23717488





# ★★★★★ REAL HYDROFIT & CO.®

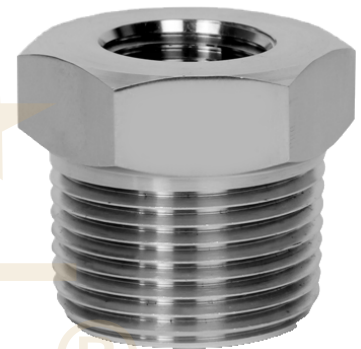
SPLTS: TUBE - PIPE FITTINGS - FLEXIBLE HOSES - HYDRAULIC FITTINGS

## PIPE FITTINGS

### BUSHING- MODEL NO. RH-226-B

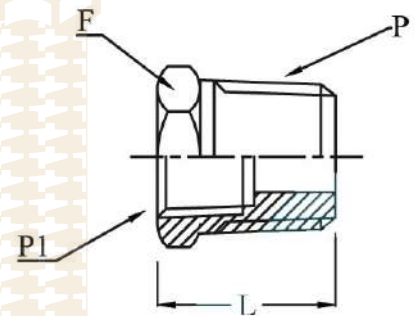
#### 6000 PSI (3K & 6K)

Model No.	P Male NPT Size	P1 Female NPT Size	L	F A/F
RH-226-B-4N-2N	1/4" NPT	1/8" NPT	21.0	14.0
RH-226-B-6N-4N	3/8" NPT	1/4" NPT	21.0	19.0
RH-226-B-8N-4N	1/2" NPT	1/4" NPT	25.0	22.0
RH-226-B-8N-6N	1/2" NPT	3/8" NPT	25.0	22.0
RH-226-B-12N-8N	3/4" NPT	1/2" NPT	28.0	28.0
RH-226-B-16N-8N	1" NPT	1/2" NPT	34.0	36.0
RH-226-B-16N-12N	1" NPT	3/4" NPT	34.0	36.0
RH-226-B-20N-16N	1-1/4" NPT	1" NPT	40.0	46.0
RH-226-B-24N-16N	1-1/2" NPT	1" NPT	40.0	50.0
RH-226-B-24N-20N	1-1/2" NPT	1-1/4" NPT	40.0	50.0
RH-226-B-32N-16N	2" NPT	1" NPT	40.0	65.0
RH-226-B-32N-24N	2" NPT	1-1/2" NPT	40.0	65.0



#### 10000 PSI (3K & 6K)

Model No.	P Male NPT Size	P1 Female NPT Size	L	F A/F
RH-226-B-4N-2N-10K	1/4" NPT	1/8" NPT	22.0	16.0
RH-226-B-6N-4N-10K	3/8" NPT	1/4" NPT	22.0	22.0
RH-226-B-8N-4N-10K	1/2" NPT	1/4" NPT	30.0	25.0
RH-226-B-8N-6N-10K	1/2" NPT	3/8" NPT	30.0	25.0
RH-226-B-12N-8N-10K	3/4" NPT	1/2" NPT	30.0	32.0
RH-226-B-16N-8N-10K	1" NPT	1/2" NPT	40.0	41.0
RH-226-B-16N-12N-10K	1" NPT	3/4" NPT	40.0	41.0
RH-226-B-20N-16N-10K	1-1/4" NPT	1" NPT	40.0	50.0
RH-226-B-24N-16N-10K	1-1/2" NPT	1" NPT	40.0	55.0
RH-226-B-24N-20N-10K	1-1/2" NPT	1-1/4" NPT	40.0	55.0
RH-226-B-32N-16N-10K	2" NPT	1" NPT	40.0	70.0
RH-226-B-32N-24N-10K	2" NPT	1-1/2" NPT	40.0	70.0



\*End Connections other thread on Request.

**Note:** All dimensions are subject to change without notice  
All dimensions are in mm unless specified





# ★★★★★ REAL HYDROFIT & CO.®

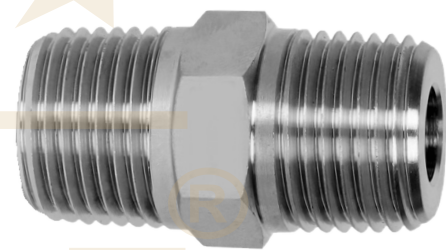
SPLTS: TUBE - PIPE FITTINGS - FLEXIBLE HOSES - HYDRAULIC FITTINGS

## PIPE FITTINGS

### NIPPLE- MODEL NO. RH-227-N

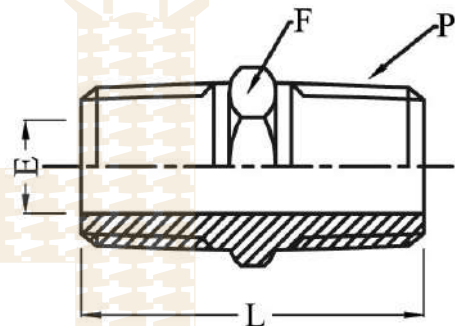
#### 6000 PSI (3K & 6K)

Model No.	P Male	L	E	F A/F
RH-227-N-2N	1/8" NPT	26.0	4.8	12.7
RH-227-N-4N	1/4" NPT	35.0	7.0	14.0
RH-227-N-6N	3/8" NPT	35.0	9.5	19.0
RH-227-N-8N	1/2" NPT	42.0	10.0	22.0
RH-227-N-12N	3/4" NPT	47.0	15.0	28.0
RH-227-N-16N	1" NPT	56.0	19.0	36.0
RH-227-N-20N	1-1/4" NPT	65.0	22.0	46.0
RH-227-N-24N	1-1/2" NPT	65.0	28.0	50.0
RH-227-N-32N	2" NPT	65.0	38.0	65.0



#### 10000 PSI (10K)

Model No.	P Male	L	E	F A/F
RH-227-N-2N-10K	1/8" NPT	28.0	3.0	14.0
RH-227-N-4N-10K	1/4" NPT	36.0	5.0	16.0
RH-227-N-6N-10K	3/8" NPT	38.0	7.0	22.0
RH-227-N-8N-10K	1/2" NPT	50.0	8.0	25.0
RH-227-N-12N-10K	3/4" NPT	50.0	12.0	32.0
RH-227-N-16N-10K	1" NPT	65.0	15.0	41.0
RH-227-N-20N-10K	1-1/4" NPT	65.0	19.0	50.0
RH-227-N-24N-10K	1-1/2" NPT	75.0	22.0	55.0
RH-227-N-32N-10K	2" NPT	75.0	28.0	70.0



\*End Connections other thread on Request.

**Note:** All dimensions are subject to change without notice  
All dimensions are in mm unless specified



sales@realhydrofit.com  
reohydesales@gmail.com



www.realhydrofit.com



9869078630, 9167921882  
91 22 66573951/52/53, 23717488





# ★★★★★ REAL HYDROFIT & CO.®

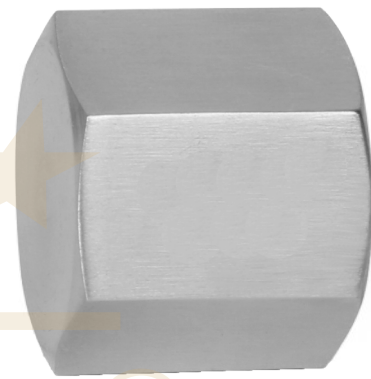
SPLTS: TUBE - PIPE FITTINGS - FLEXIBLE HOSES - HYDRAULIC FITTINGS

## PIPE FITTINGS

### CAP- MODEL NO. RH-228-C

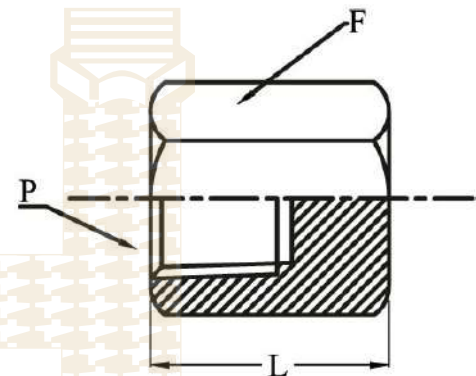
#### 6000 PSI (3K & 6K)

Model No.	P Male NPT Size	L	F A/F
RH-228-C-2N	1/8"	16.0	14.0
RH-228-C-4N	1/4"	21.0	19.0
RH-228-C-6N	3/8"	21.0	22.0
RH-228-C-8N	1/2"	25.0	27.0
RH-228-C-12N	3/4"	28.0	36.0
RH-228-C-16N	1"	34.0	41.0
RH-228-C-20N	1-1/4"	40.0	50.0
RH-228-C-24N	1-1/2"	40.0	63.0
RH-228-C-32N	2"	40.0	76.0



#### 10000 PSI (10K)

Model No.	P Male NPT Size	L	F A/F
RH-228-C-2N-10K	1/8"	18.0	19.0
RH-228-C-4N-10K	1/4"	22.0	25.0
RH-228-C-6N-10K	3/8"	22.0	28.0
RH-228-C-8N-10K	1/2"	30.0	32.0
RH-228-C-12N-10K	3/4"	30.0	41.0
RH-228-C-16N -10K	1"	40.0	45.0
RH-228-C-20N -10K	1-1/4"	40.0	55.0
RH-228-C-24N-10K	1-1/2"	40.0	70.0
RH-228-C-32N -10K	2"	40.0	80.0



\*End Connections other thread on Request.

**Note:** All dimensions are subject to change without notice  
All dimensions are in mm unless specified





# ★★★★★ REAL HYDROFIT & CO.®

SPLTS: TUBE - PIPE FITTINGS - FLEXIBLE HOSES - HYDRAULIC FITTINGS

## PIPE FITTINGS

### HEX COUPLING- MODEL NO. RH-229-CU

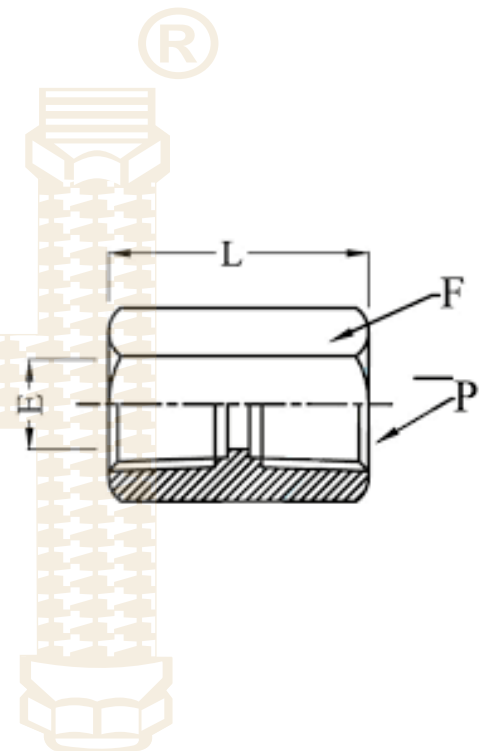
#### 6000 PSI (3K & 6K)

Model No.	P Male	L	E	F A/F
RH-229-CU-2N	1/8" NPT	26.0	7.5	16.0
RH-229-CU-4N	1/4" NPT	35.0	10.5	22.0
RH-229-CU-6N	3/8" NPT	35.0	14.0	25.0
RH-229-CU-8N	1/2" NPT	46.0	16.5	28.0
RH-229-CU-12N	3/4" NPT	48.0	22.0	36.0
RH-229-CU-16N	1" NPT	62.0	28.0	41.0
RH-229-CU-20N	1-1/4" NPT	62.0	16.5	55.0
RH-229-CU-24N	1-1/2" NPT	65.0	22.0	65.0
RH-229-CU-32N	2" NPT	65.0	28.0	76.0



#### 10000 PSI (10K)

Model No.	P Male	L	E	F A/F
RH-229-CU-2N-10K	1/8" NPT	28.0	7.5	19.0
RH-229-CU-4N-10K	1/4" NPT	38.0	10.5	25.0
RH-229-CU-6N-10K	3/8" NPT	38.0	14.0	28.0
RH-229-CU-8N-10K	1/2" NPT	48.0	16.5	32.0
RH-229-CU-12N-10K	3/4" NPT	50.0	22.0	41.0
RH-229-CU-16N-10K	1" NPT	65.0	28.0	45.0
RH-229-CU-20N-10K	1-1/4" NPT	65.0	16.5	63.0
RH-229-CU-24N-10K	1-1/2" NPT	75.0	22.0	70.0
RH-229-CU-32N-10K	2" NPT	75.0	28.0	80.0



\*End Connections other thread on Request.

**Note:** All dimensions are subject to change without notice  
All dimensions are in mm unless specified



sales@realhydrofit.com  
reohydesales@gmail.com



www.realhydrofit.com



9869078630, 9167921882  
91 22 66573951/52/53, 23717488



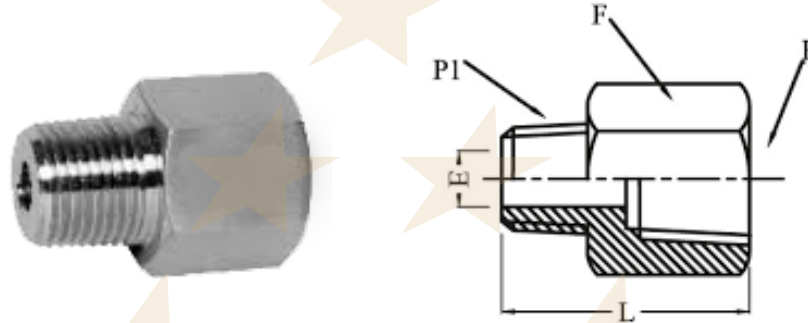


# ★★★★★ REAL HYDROFIT & CO.®

SPLTS: TUBE - PIPE FITTINGS - FLEXIBLE HOSES - HYDRAULIC FITTINGS

## PIPE FITTINGS

### ADAPTOR- MODEL NO. RH-230-A



6000 PSI (3K & 6K)

Model No.	P Female NPT Size	P1 Male NPT Size	L	E	F A/F
RH-230-A-2N	1/8" NPT	1/8" NPT	25.0	4.8	16.0
RH-230-A-4N	1/4" NPT	1/4" NPT	34.0	7.0	19.0
RH-230-A-6N	3/8" NPT	3/8" NPT	34.0	9.5	22.0
RH-230-A-8N	1/2" NPT	1/2" NPT	42.0	10.0	27.0
RH-230-A-12N	3/4" NPT	3/4" NPT	44.0	15.0	36.0
RH-230-A-16N	1" NPT	1" NPT	57.0	19.0	41.0
RH-230-A-20N	1-1/4" NPT	1-1/4" NPT	65.0	22.0	55.0
RH-230-A-24N	1-1/2" NPT	1-1/2" NPT	65.0	28.0	65.0
RH-230-A-32N	2" NPT	2" NPT	65.0	38.0	80.0

10000 PSI (10K)

Model No.	P Female NPT Size	P1 Male NPT Size	L	E	F A/F
RH-230-A-2N-10K	1/8" NPT	1/8" NPT	28.0	3.0	19.0
RH-230-A-4N-10K	1/4" NPT	1/4" NPT	36.0	5.0	25.0
RH-230-A-6N-10K	3/8" NPT	3/8" NPT	38.0	7.0	28.0
RH-230-A-8N-10K	1/2" NPT	1/2" NPT	48.0	8.0	32.0
RH-230-A-12N-10K	3/4" NPT	3/4" NPT	50.0	12.0	41.0
RH-230-A-16N-10K	1" NPT	1" NPT	65.0	15.0	45.0
RH-230-A-20N-10K	1-1/4" NPT	1-1/4" NPT	65.0	19.0	63.0
RH-230-A-24N-10K	1-1/2" NPT	1-1/2" NPT	75.0	22.0	70.0
RH-230-A-32N-10K	2" NPT	2" NPT	75.0	28.0	80.0

\*End Connections other thread on Request.

**Note:**  
All dimensions are subject to change without notice  
All dimensions are in mm unless specified



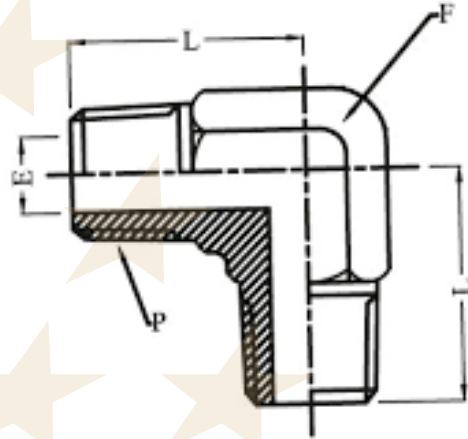
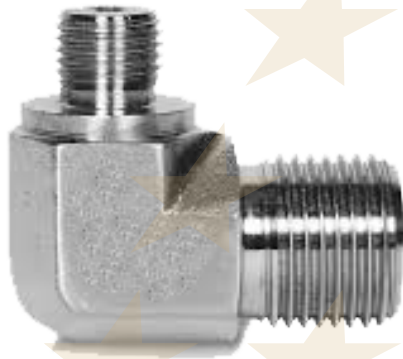


# ★★★★★ REAL HYDROFIT & CO.®

SPLTS: TUBE - PIPE FITTINGS - FLEXIBLE HOSES - HYDRAULIC FITTINGS

## PIPE FITTINGS

### MALE ELBOW- MODEL NO. RH-231-ME



### 3K & 6K

Model No.	P Male & Female NPT Size	L	E	F A/F
RH-231-ME-2N	1/8" NPT	22.4	4	14
RH-231-ME-4N	1/4" NPT	26.7	7.1	14
RH-231-ME-6N	3/8" NPT	29.7	9.5	17
RH-231-ME-8N	1/2" NPT	36.8	11.8	22
RH-231-ME-12N	3/4" NPT	38.8	15.6	27
RH-231-ME-16N	1" NPT	45.2	22	35

\*End Connections other thread on Request.

**Note:** All dimensions are subject to change without notice  
All dimensions are in mm unless specified



sales@realhydrofit.com  
reohydesales@gmail.com



www.realhydrofit.com



9869078630, 9167921882  
91 22 66573951/52/53, 23717488





# ★★★★★ REAL HYDROFIT & CO.®

SPLTS: TUBE - PIPE FITTINGS - FLEXIBLE HOSES - HYDRAULIC FITTINGS

## PIPE FITTINGS

### FEMALE ELBOW- MODEL NO. RH-232-FE

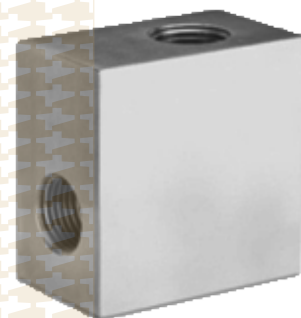
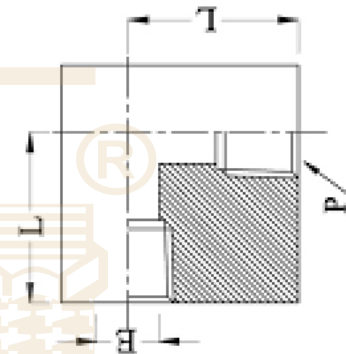
#### 3K

Model No. NPT Size	P Female	L	E	F A/F
RH-232-FE-2N	1/8" NPT	26.4	7.5	15.0
RH-232-FE-4N	1/4" NPT	29.7	10.5	19.0
RH-232-FE-6N	3/8" NPT	36.1	14.0	22.0
RH-232-FE-8N	1/2" NPT	39.8	16.5	27.0
RH-232-FE-12N	3/4" NPT	48.8	22.0	32.0
RH-232-FE-16N	1" NPT	48.5	28.0	41.0



#### 6K

Model No. NPT Size	P Female	L	E	F A/F
RH-232-FE-6K-4N	1/4" NPT	29.7	7.0	25.0
RH-232-FE-6K-6N	3/8" NPT	36.1	9.5	28.0
RH-232-FE-6K-8N	1/2" NPT	39.8	11.8	32.0
RH-232-FE-6K-12N	3/4" NPT	48.8	15.0	41.0
RH-232-FE-6K-16N	1" NPT	48.5	22.0	52.0



#### 10K

Model No. NPT Size	P Female	L	E	F A/F
RH-232-FE-10K-4N	1/4" NPT	29.7	4.5	32.0
RH-232-FE-10K-6N	3/8" NPT	36.1	6.0	32.0
RH-232-FE-10K-8N	1/2" NPT	39.8	8.0	36.0
RH-232-FE-10K-12N	3/4" NPT	48.8	9.5	50.0
RH-232-FE-10K-16N	1" NPT	48.5	12.0	65.0

\*End Connections other thread on Request.

**Note:**

All dimensions are subject to change without notice  
All dimensions are in mm unless specified



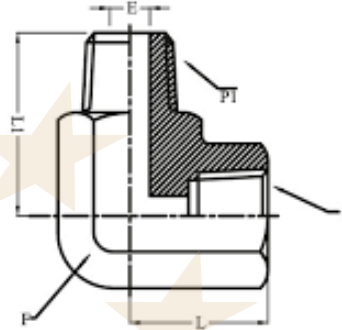
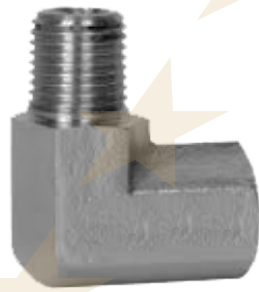


# ★★★★★ REAL HYDROFIT & CO.®

SPLTS: TUBE - PIPE FITTINGS - FLEXIBLE HOSES - HYDRAULIC FITTINGS

## PIPE FITTINGS

### STREET ELBOW- MODEL NO. RH-233-SE

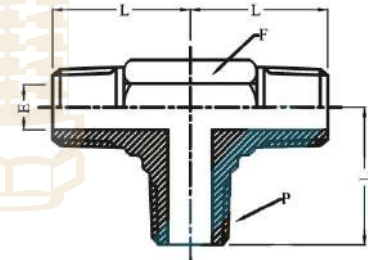
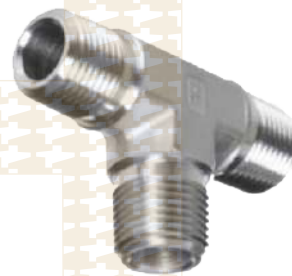


Model No.	P Female NPT Size	P Male NPT Size	L	L1	E	F A/F
RH-233-SE-2N-4N	1/4" NPT	1/4" NPT	29.8	29.8	4.8	19.0
RH-233-SE-6N-4N	3/8" NPT	1/4" NPT	36.1	32.0	7.0	22.0
RH-233-SE-6N-6N	3/8" NPT	3/8" NPT	36.1	32.0	9.5	22.0
RH-233-SE-8N-4N	1/2" NPT	1/4" NPT	39.5	35.0	7.1	27.0
RH-233-SE-8N-8N	3/4" NPT	1/2" NPT	39.5	39.6	11.8	27.0
RH-233-SE-12N-12N	1" NPT	3/4" NPT	48.8	32.4	15.0	32.0

### MALE TEE- MODEL NO. RH-234-MT

#### 3K & 6K

Model No. NPT Size	P Male	L	E	F A/F
RH-234-MT-2N	1/8" NPT	22.4	4.0	11.0
RH-234-MT-4N	1/4" NPT	26.7	7.1	14.0
RH-234-MT-6N	3/8" NPT	29.7	9.5	17.0
RH-234-MT-8N	1/2" NPT	36.8	11.8	22.0
RH-234-MT-12N	3/4" NPT	38.0	15.6	27.0
RH-234-MT-16N	1" NPT	47.6	22.0	35.0



\*End Connections other thread on Request.

**Note:** All dimensions are subject to change without notice  
All dimensions are in mm unless specified



sales@realhydrofit.com  
reohydesales@gmail.com



www.realhydrofit.com



9869078630, 9167921882  
91 22 66573951/52/53, 23717488



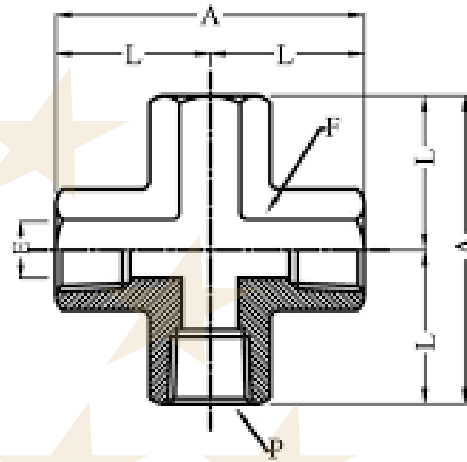


# ★★★★★ REAL HYDROFIT & CO.®

SPLTS: TUBE - PIPE FITTINGS - FLEXIBLE HOSES - HYDRAULIC FITTINGS

## PIPE FITTINGS

### FEMALE CROSS- MODEL NO. RH-235-FC



Model No. NPT Size	P Female	L	E	F A/F
RH-235-FC-2N	1/8" NPT	22.4	4.8	11.0
RH-235-FC-4N	1/4" NPT	29.7	7.0	16.0
RH-235-FC-6N	3/8" NPT	29.7	9.6	19.0
RH-235-FC-8N	1/2" NPT	36.8	11.9	22.0
RH-235-FC-12N	3/4" NPT	48.0	15.8	27.0
RH-235-FC-16N	1" NPT	47.6	22.0	35.0

\*End Connections other thread on Request.

**Note:** All dimensions are subject to change without notice  
All dimensions are in mm unless specified





# ★★★★★ REAL HYDROFIT & CO.®

SPLTS: TUBE - PIPE FITTINGS - FLEXIBLE HOSES - HYDRAULIC FITTINGS

## PIPE FITTINGS

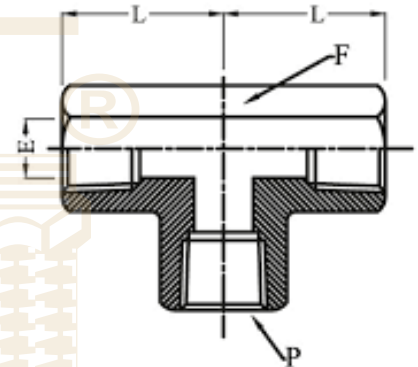
### FEMALE TEE- MODEL NO. RH-236-FT-3K

Model No. NPT Size	P Female	L	E	F A/F
RH-236-FT-2N	1/8" NPT	26.5	7.5	15.0
RH-236-FT-4N	1/4" NPT	29.5	10.5	19.0
RH-236-FT-6N	3/8" NPT	36.0	14.0	22.0
RH-236-FT-8N	1/2" NPT	39.5	16.5	27.0
RH-236-FT-12N	3/4" NPT	48.5	22.0	32.0
RH-236-FT-16N	1" NPT	48.5	28.0	41.0



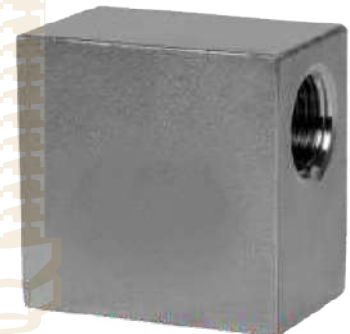
### 6K

Model No. NPT Size	P Female	L	E	F A/F
RH-236-FT-6K-4N	1/4" NPT	29.7	7.0	25.0
RH-236-FT-6K-6N	3/8" NPT	36.1	9.5	28.0
RH-236-FT-6K-8N	1/2" NPT	39.8	11.8	32.0
RH-236-FT-6K-12N	3/4" NPT	48.8	15.0	41.0
RH-236-FT-6K-16N	1" NPT	48.5	22.0	52.0



### 10K

Model No. NPT Size	P Female	L	E	F A/F
RH-236-FT-10K-4N	1/4" NPT	29.7	4.5	32.0
RH-236-FT-10K-6N	3/8" NPT	36.1	6.0	32.0
RH-236-FT-10K-8N	1/2" NPT	39.8	8.0	36.0
RH-236-FT-10K-12N	3/4" NPT	48.8	9.5	50.0
RH-236-FT-10K-16N	1" NPT	48.5	12.0	65.0



\*End Connections other thread on Request.

**Note:** All dimensions are subject to change without notice  
All dimensions are in mm unless specified



sales@realhydrofit.com  
reohydesales@gmail.com



www.realhydrofit.com



9869078630, 9167921882  
91 22 66573951/52/53, 23717488



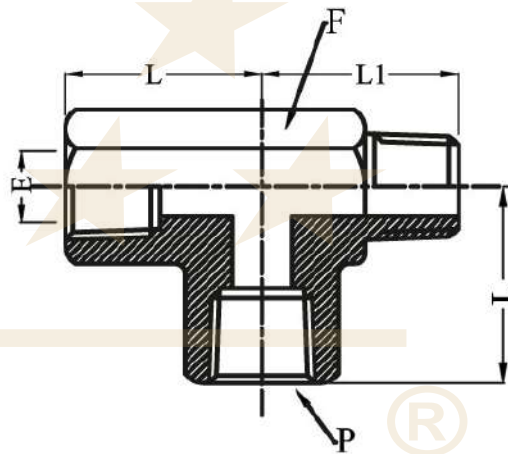
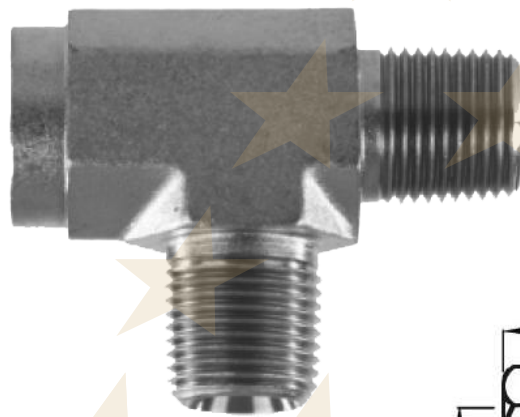


# ★★★★★ REAL HYDROFIT & CO.®

SPLTS: TUBE - PIPE FITTINGS - FLEXIBLE HOSES - HYDRAULIC FITTINGS

## PIPE FITTINGS

### STREET TEE- MODEL NO. RH-237-ST



### 3K & 6K

Model No. Female	P Male NPT Size	L	L1	E A/F	F
RH-237-ST-2N	1/8" NPT	26.4	22.1	4.5	15.0
RH-237-ST-4N	1/4" NPT	29.7	29.7	7.0	19.0
RH-237-ST-6N	3/8" NPT	36.1	32.0	9.5	22.0
RH-237-ST-8N	1/2" NPT	39.6	39.6	11.8	27.0
RH-237-ST-12N	3/4" NPT	48.7	49.0	15.0	32.0
RH-237-ST-16N	1" NPT	48.5	49.0	22.0	41.0

\*End Connections other thread on Request.

**Note:** All dimensions are subject to change without notice  
All dimensions are in mm unless specified



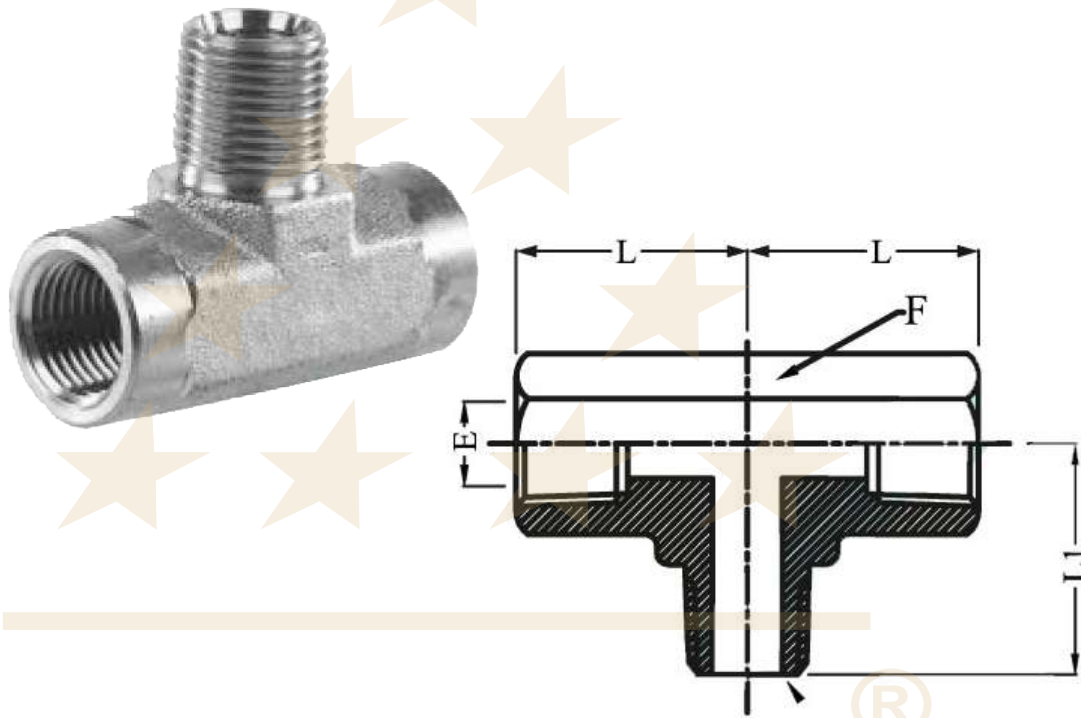


# ★★★★★ REAL HYDROFIT & CO.®

SPLTS: TUBE - PIPE FITTINGS - FLEXIBLE HOSES - HYDRAULIC FITTINGS

## PIPE FITTINGS

### BRANCH TEE- MODEL NO. RH-238-BT



### 3K & 6K

Model No. Female	P Male & NPT Size	L	L1	E	F A/F
RH-238-BT-2N	1/8" NPT	26.4	22.1	4.5	15.0
RH-238-BT-4N	1/4" NPT	29.7	29.7	7.0	19.0
RH-238-BT-6N	3/8" NPT	36.1	32.0	9.5	22.0
RH-238-BT-8N	1/2" NPT	39.6	39.6	11.8	27.0
RH-238-BT-12N	3/4" NPT	48.7	49.0	15.0	32.0
RH-238-BT-16N	1" NPT	48.5	49.0	22.0	41.0

\*End Connections other thread on Request.

**Note:** All dimensions are subject to change without notice  
All dimensions are in mm unless specified



sales@realhydrofit.com  
reohydesales@gmail.com



www.realhydrofit.com



9869078630, 9167921882  
91 22 66573951/52/53, 23717488



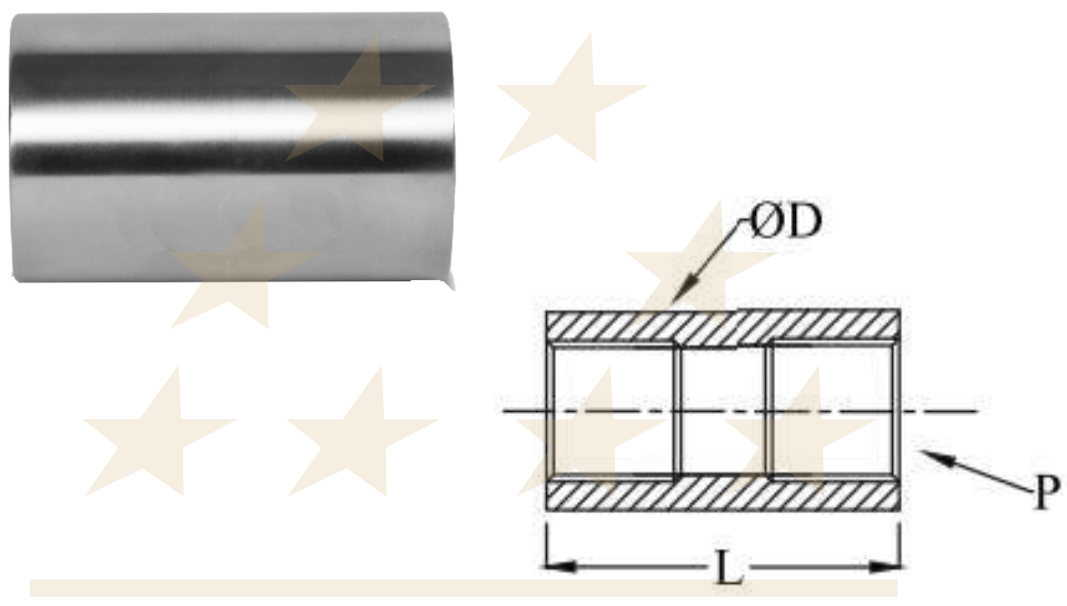


# ★★★★★ REAL HYDROFIT & CO.®

SPLTS: TUBE - PIPE FITTINGS - FLEXIBLE HOSES - HYDRAULIC FITTINGS

## PIPE FITTINGS

### ROUND COUPLING- MODEL NO. RH-239-RC



Model No.	P Male & Female NPT Size	3000/PSI		6000/PSI	
		L	ØD	L	ØD
RH-239-RC-4N	1/4" NPT	35	20	35	25
RH-239-RC-6N	3/8" NPT	38	22	38	32
RH-239-RC-8N	1/2" NPT	48	23	48	38
RH-239-RC-12N	3/4" NPT	51	35	51	44
RH-239-RC-16N	1" NPT	60	44	60	57
RH-239-RC-20N	1-1/4" NPT	67	57	67	64
RH-239-RC-24N	1-1/2" NPT	79	64	79	76
RH-239-RC-32N	2" NPT	86	76	86	92

\*End Connections other thread on Request.

**Note:** All dimensions are subject to change without notice  
All dimensions are in mm unless specified





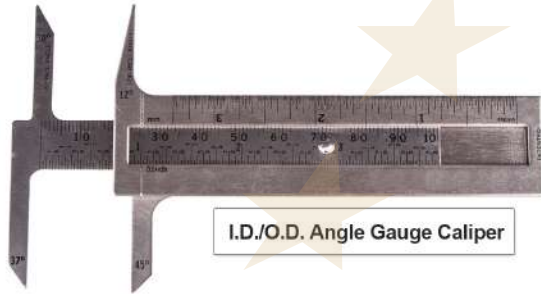
# ★★★★★ REAL HYDROFIT & CO.®

SPLTS: TUBE - PIPE FITTINGS - FLEXIBLE HOSES - HYDRAULIC FITTINGS

## HOW TO IDENTIFY FLUID CONNECTORS

### MEASURING TOOLS :

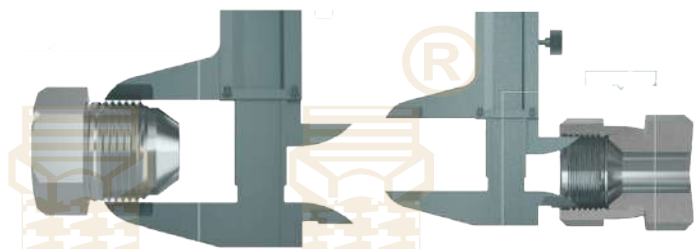
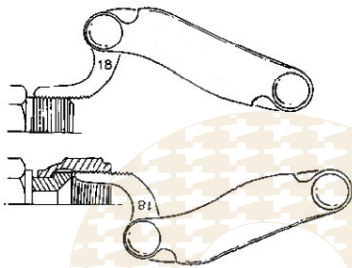
A seat angle gauge, thread pitch gauge and an I.D./O.D. caliper are necessary to make accurate measurements of commonly used connectors. Eaton offers a unique caliper that offers the capabilities of both a caliper and a seat angle gauge in one unit.



### MEASURING TOOLS :

Use a thread pitch gauge to determine the number of threads per inch or the distance between threads in metric connections. Place the gauge on the threads until the fit is snug. Match the measurement to the charts.

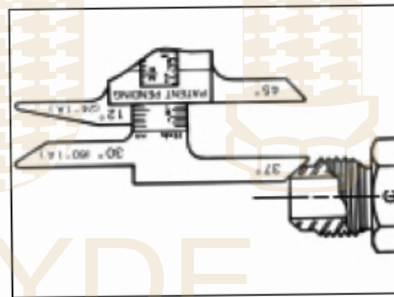
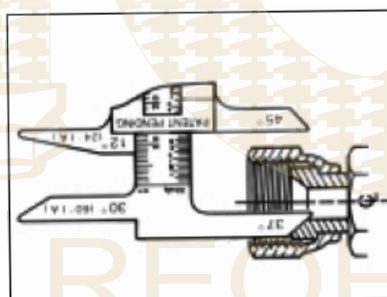
Measure the thread diameter with an I.D./O.D. caliper as shown. Match the measurements to the chart



### HOW TO MEASURE SEALING SURFACE ANGLES :

Female connections are usually measured by inserting the gauge into the connection and placing it on the sealing surface. If the centerlines of the connection and gauge are parallel, the correct angle has been determined.

Male flare type connectors are usually measured by placing the gauge on the sealing surface. If the centerlines of the connection and gauge are parallel, the correct angle has been determined.



sales@realhydrofit.com  
reohydesales@gmail.com



www.realhydrofit.com



9869078630, 9167921882  
91 22 66573951/52/53, 23717488



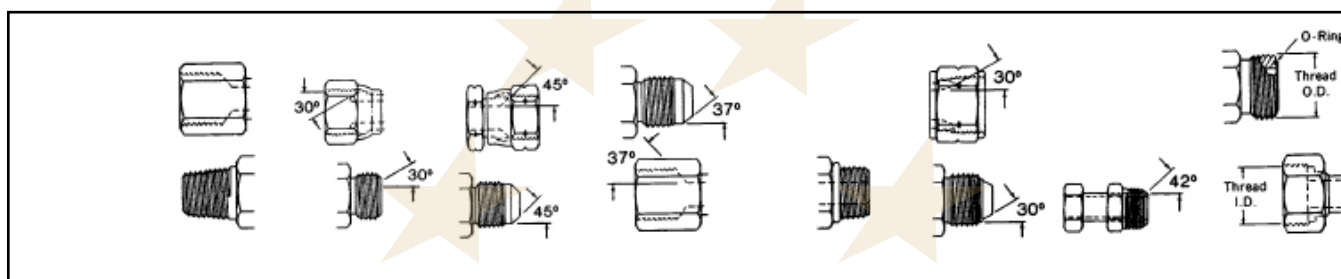


# ★★★★★ REAL HYDROFIT & CO.®

SPLTS: TUBE - PIPE FITTINGS - FLEXIBLE HOSES - HYDRAULIC FITTINGS

## HOW TO IDENTIFY FLUID CONNECTORS THREAD SIZE CHART

The following chart is intended as a quick reference guide for thread size by dash size.



Dash size	N.P.T.F.	N.P.S.M approx. dia.	SAE 45° auto refriger.	SAE 37° (J.I.C.) hydraulic	SAE O-Ring boss	SAE O-Ring automotive	SAE invert. flare	ORS
-02	1/8-27	1/8-27	5/16-24	5/16-24	5/16-24		5/16-24	
-03			3/8-24	3/8-24	3/8-24		3/8-24	
-04	1/4-18	1/4-18	7/16-20	7/16-20	7/16-20		7/16-24	9/16-18
-05			1/2-20	1/2-20	1/2-20		1/2-20	
-06	3/8-18	3/8-18	5/8-18	9/16-18	9/16-18		5/8-18	1 1/16-16
-07			1 1/16-24				1 1/16-18	
-08	1/2-14	1/2-14	3/4-16	3/4-16	3/4-16		3/4-18	1 3/16-16
-10			7/8-14	7/8-14	7/8-14		7/8-18	1-14
-12	3/4-14	3/4-14	1 1/16-14	1 1/16-12	1 1/16-12		1 1/16-16	1 3/16-12
-14				1 3/16-12	1 3/16-12			
-16	1-11 1/2	1-11 1/2		1 5/16-12	1 5/16-12	1 5/16-14		1 7/16-12
-20	1 1/4-11 1/2	1 1/4-11 1/2		1 5/8-12	1 5/8-12	1 5/8-14		1 11/16-12
-24	1 1/2-11 1/2	1 1/2-11 1/2		1 7/8-12	1 7/8-12	1 7/8-14		2-12
-32	2-11 1/2	2-11 1/2		2 1/2-12	2 1/2-12	2 1/2-12		
-40	2 1/2-8	2 1/2-8		3-12	3-12			
-48	3-8	3-8		3 1/2-12	3 1/2-12			





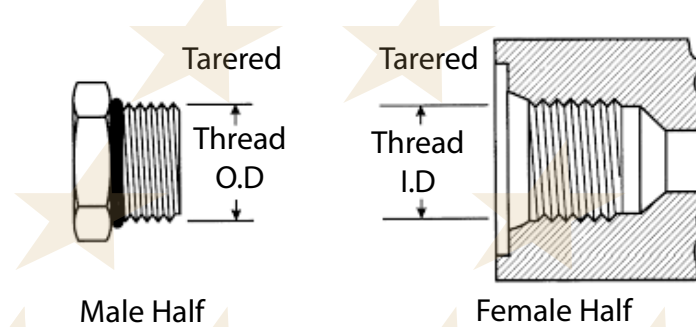
# ★★★★★ REAL HYDROFIT & CO.®

SPLTS: TUBE - PIPE FITTINGS - FLEXIBLE HOSES - HYDRAULIC FITTINGS

## AMERICAN CONNECTIONS

### NPTF (NATIONAL PIPE TAPERED FUEL)

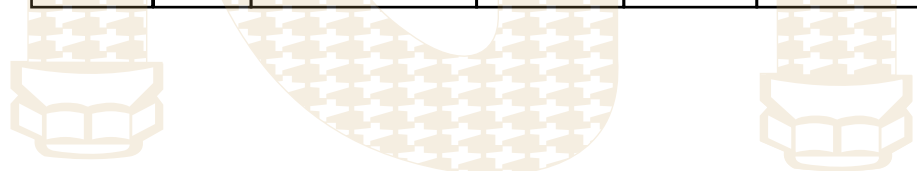
This connection is still widely used in fluid power systems, even though it is not recommended by the National Fluid Power Association (N.F.P.A.) for use in hydraulic applications. The thread is tapered and the seal takes place by deformation of the threads.



### NPTF THREADS

Measure thread diameter and subtract 1/4-inch to find the nominal pipe size.

Inch size	Dash size	Nominal Thread Size	Male Thread O.D. (in)		Female thread I.D (in)	
			Fraction	Decimal	Fraction	Decimal
1/8	02	1/8-27	13/32	0.41	3/8	0.38
1/4	04	1/4-18	17/32	0.54	1/2	0.49
3/8	06	3/8-18	11/16	0.68	5/8	0.63
1/2	08	1/2-14	27/32	0.84	25/32	0.77
3/4	12	3/4-14	1 1/16	1.05	1	0.98
1	16	1-11 1/2	1 5/16	1.32	1 1/4	1.24
1 1/4	20	1 1/4-11 1/2	1 21/32	1.66	1 19/32	1.58
1 1/2	24	1 1/2-11 1/2	1 29/32	1.90	1 13/16	1.82
2	32	2-11 1/2	2 3/8	2.38	2 5/16	2.30



# REOHYDE



sales@realhydrofit.com  
reohydesales@gmail.com



www.realhydrofit.com



9869078630, 9167921882  
91 22 66573951/52/53, 23717488





# ★★★★★ REAL HYDROFIT & CO.®

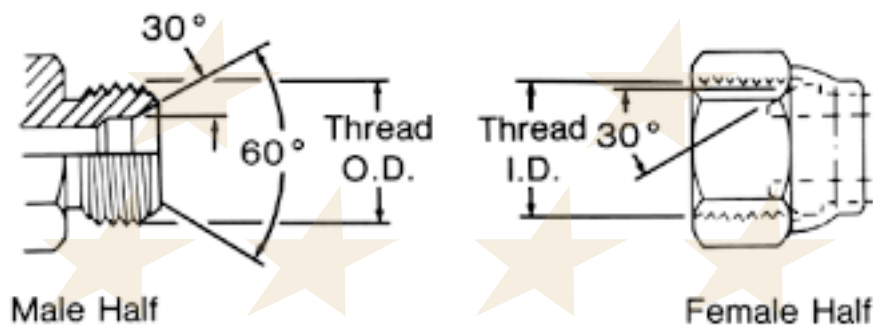
SPLTS: TUBE - PIPE FITTINGS - FLEXIBLE HOSES - HYDRAULIC FITTINGS

## AMERICAN CONNECTIONS

### NPSM (NATIONAL PIPE STRAIGHT MECHANICAL)

This connection is sometimes used in fluid power systems. The female half has a straight thread and an inverted 30° seat. The male half of the connection has a straight thread and a 30° internal chamfer. The seal takes place by compression of the 30° seat on the chamfer. The threads hold the connection mechanically.

*Note: A properly chamfered NPTF male will also seal with the NPSM female.*



Inch size	Dash size	Nominal Thread Size	Male Thread O.D. (in)		Female thread I.D (in)	
			Fraction	Decimal	Fraction	Decimal
1/8	02	1/8-27	13/32	0.41	3/8	0.38
1/4	04	1/4-18	17/32	0.54	1/2	0.49
3/8	06	3/8-18	11/16	0.68	5/8	0.63
1/2	08	1/2-14	27/32	0.84	25/32	0.77
3/4	12	3/4-14	1 1/16	1.05	1	0.98
1	16	1-11 1/2	1 5/16	1.32	1 1/4	1.24
1 1/4	20	1 1/4-11 1/2	1 21/32	1.66	1 19/32	1.58
1 1/2	24	1 1/2-11 1/2	1 29/32	1.90	1 13/16	1.82
2	32	2-11 1/2	2 3/8	2.38	2 5/16	2.30



# REOHYDE





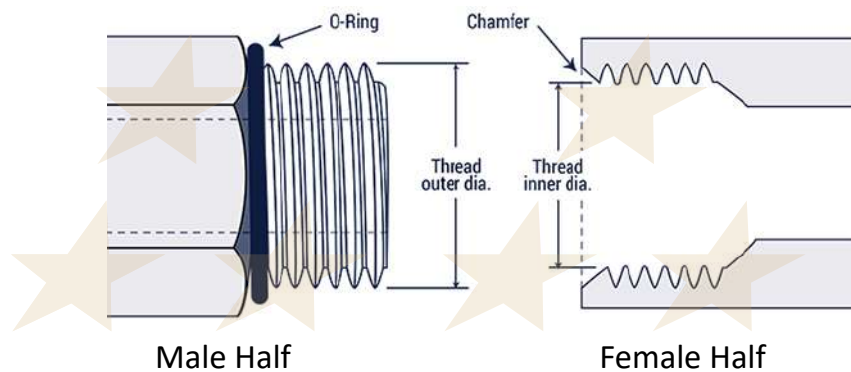
# ★★★★★ REAL HYDROFIT & CO.®

SPLTS: TUBE - PIPE FITTINGS - FLEXIBLE HOSES - HYDRAULIC FITTINGS

## AMERICAN CONNECTIONS

### SAE J1926 STRAIGHT THREAD O-RING BOSS (ORB)

This port connection is recommended by the N.F.P.A. for optimum leakage control in medium and high pressure hydraulic systems. The male connector has a straight thread and an O-Ring. The female port has a straight thread, a machined surface (minimum spotface) and a chamfer to accept the O-Ring. The seal takes place by compressing the O-Ring into the chamfer. The threads hold the connection mechanically.



Inch size	Dash size	Thread Size	Male Thread O.D. (in)		Female thread I.D (in)	
			Fraction	Decimal	Fraction	Decimal
1/8	02	5/16 - 24	5/16	0.31	9/32	0.27
3/16	03	3/8 - 24	3/8	0.38	11/32	0.34
1/4	04	7/16 - 20	7/16	0.44	13/32	0.39
5/16	05	1/2 - 20	1/2	0.50	15/32	0.45
3/8	06	9/16 - 18	9/16	0.56	17/32	0.51
1/2	08	3/4 - 16	3/4	0.75	3/4	0.69
5/8	10	7/8 - 14	7/8	0.88	13/16	0.81
3/4	12	1 1/16 - 12	1 1/16	1.06	1	0.98
7/8	14	1 3/16 - 12	1 3/16	1.19	1 1/8	1.13
1	16	1 5/16 - 12	1 5/16	1.31	1 1/4	1.23
1 1/4	20	1 5/8 - 12	1 5/8	1.63	1 9/16	1.54
1 1/2	24	1 7/8 - 12	1 7/8	1.88	1 13/16	1.79
2	32	2 1/2 - 12	2 1/2	2.50	2 7/16	2.42



sales@realhydrofit.com  
reohydesales@gmail.com



www.realhydrofit.com



9869078630, 9167921882  
91 22 66573951/52/53, 23717488





# ★★★★★ REAL HYDROFIT & CO.®

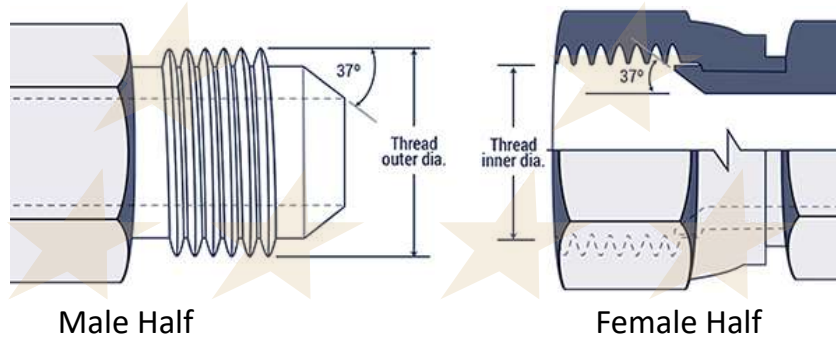
SPLTS: TUBE - PIPE FITTINGS - FLEXIBLE HOSES - HYDRAULIC FITTINGS

## AMERICAN CONNECTIONS

### SAE J514 JIC/37° HYDRAULIC

This connection is very common in fluid power systems. Both the male and female halves of the connections have 37° seats. The seal takes place by establishing a line of contact between the male flare and the female cone seat. The threads hold the connection mechanically.

**CAUTION:** In the -02, -03, -04, -05, -08 and -10 sizes, the threads of the SAE 37° flare and SAE 45° flare are the same. However, the sealing surface angles are not the same.



Inch size	Dash size	Thread Size	Male Thread O.D. (in)		Female thread I.D (in)	
			Fraction	Decimal	Fraction	Decimal
1/8	02	5/16 – 24	5/16	0.31	9/32	0.27
3/16	03	3/8 – 24	3/8	0.38	11/32	0.34
1/4	04	7/16 – 20	7/16	0.44	13/32	0.39
5/16	05	1/2 – 20	1/2	0.50	15/32	0.45
3/8	06	9/16 – 18	9/16	0.56	17/32	0.51
1/2	08	3/4 – 16	3/4	0.75	11/16	0.69
5/8	10	7/8 – 14	7/8	0.88	13/16	0.81
3/4	12	1 1/16 – 12	1 1/16	1.06	1	0.98
1	16	1 5/16 – 12	1 5/16	1.31	1 1/4	1.23
1 1/4	20	1 5/8 – 12	1 5/8	1.63	1 9/16	1.54
1 1/2	24	1 7/8 – 12	1 7/8	1.88	1 13/16	1.79
2	32	2 1/2 – 12	2 1/2	2.50	2 7/16	2.42

\*This connection formerly known as JIC.





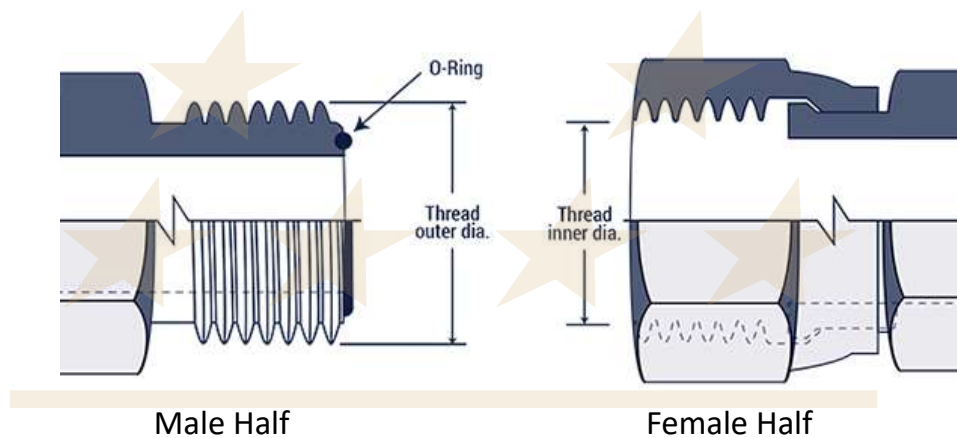
# ★★★★★ REAL HYDROFIT & CO.®

SPLTS: TUBE - PIPE FITTINGS - FLEXIBLE HOSES - HYDRAULIC FITTINGS

## AMERICAN CONNECTIONS

### SAE J1453 O-RING FACE SEAL

This connection offers the very best leakage control available today. The male connector has a straight thread and an O-Ring in the face. The female has a straight thread and a machined flat face. The seal takes place by compressing the O-Ring onto the flat face of the female, similar to the split flange type fitting. The threads hold the connection mechanically.



Inch size	Dash size	Thread Size	Male Thread O.D. (in)		Female thread I.D (in)	
			Fraction	Decimal	Fraction	Decimal
1/4	04	9/16 – 18	9/16	0.56	17/32	0.51
3/8	06	11/16 – 16	11/16	0.69	5/8	0.63
1/2	08	13/16 – 16	13/16	0.82	3/4	0.75
5/8	10	1 – 14	1	1.00	15/16	0.93
3/4	12	1 3/16 – 12	1 3/16	1.19	1 1/8	1.11
1	16	1 7/16 – 12	1 7/16	1.44	1 3/8	1.36
1/4	20	1 11/16 – 12	1 11/16	1.69	1 5/8	1.61
1/2	24	2 – 12	2	2.00	1 15/16	1.92

# REOHYDE



sales@realhydrofit.com  
reohydesales@gmail.com



www.realhydrofit.com



9869078630, 9167921882  
91 22 66573951/52/53, 23717488





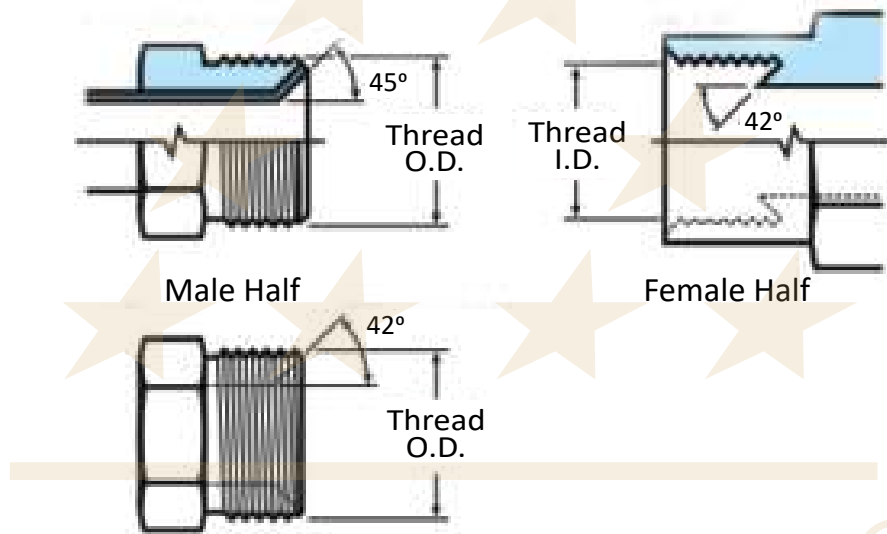
# ★★★★★ REAL HYDROFIT & CO.®

SPLTS: TUBE - PIPE FITTINGS - FLEXIBLE HOSES - HYDRAULIC FITTINGS

## AMERICAN CONNECTIONS

### SAE J512 INVERTED

This connection is frequently used in automotive systems. The male connector can either be a 45° flare in the tube fitting form or a 42° seat in the machined adapter form. The female has a straight thread with a 42° inverted flare. The seal takes place on the flared surfaces. The threads hold the connection mechanically.



Inch size	Dash size	Thread Size	Male Thread O.D. (in)		Female thread I.D (in)	
			Fraction	Decimal	Fraction	Decimal
1/8	02	5/16 - 24	5/16	0.32	9/32	0.28
3/16	03	3/8 - 24	3/8	0.38	11/32	0.34
1/4	04	7/16 - 24	7/16	0.44	13/32	0.40
5/16	05	1/2 - 20	1/2	0.50	15/32	0.45
3/8	06	5/8 - 18	5/8	0.63	9/16	0.57
7/16	07	11/16 - 18	11/16	0.69	5/8	0.63
1/2	08	3/4 - 18	3/4	0.75	23/32	0.70
5/8	10	7/8 - 18	7/8	0.88	13/16	0.82
3/4	12	1 1/16 - 16	1 1/16	1.06	1	1.00

# REOHYDE





# ★★★★★ REAL HYDROFIT & CO.®

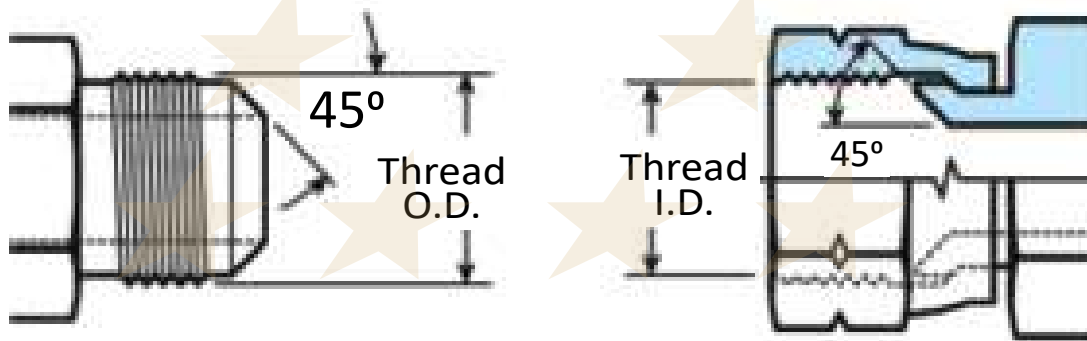
SPLTS: TUBE - PIPE FITTINGS - FLEXIBLE HOSES - HYDRAULIC FITTINGS

## AMERICAN CONNECTIONS

### SAE J512 45°

This connection is commonly used in refrigeration, automotive and truck piping systems. The connector is frequently made of brass. Both the male and female connectors have 45° seats. The seal takes place between the male flare and the female cone seat. The threads hold the connection mechanically.

**Caution:** In the -02, -03, -04, -05, -08 and -10 sizes, the threads of the SAE 37° flare and SAE 45° flare are the same. However, the sealing surface angles are not the same.



Male Half

Female Half

Inch size	Dash size	Thread Size	Male Thread O.D. (in)		Female thread I.D (in)	
			Fraction	Decimal	Fraction	Decimal
1/8	02	5/16 - 24	5/16	0.31	9/32	0.27
3/16	03	3/8 - 24	3/8	0.38	11/32	0.34
1/4	04	7/16-20	7/16	0.44	13/32	0.39
5/16	05	1/2-20	1/2	0.50	15/32	0.45
3/8	06	5/8-18	5/8	0.63	9/16	0.57
1/2	08	3/4-16	3/4	0.75	11/16	0.69
5/8	10	7/8-14	7/8	0.88	13/16	0.81
3/4	12	1 1/16-14	1 1/16	1.06	1	0.99
7/8	14	1 1/4-12	1 1/4	1.25	1 5/32	1.16
1	16	1 3/8-12	1 3/8	1.38	1 9/32	1.29





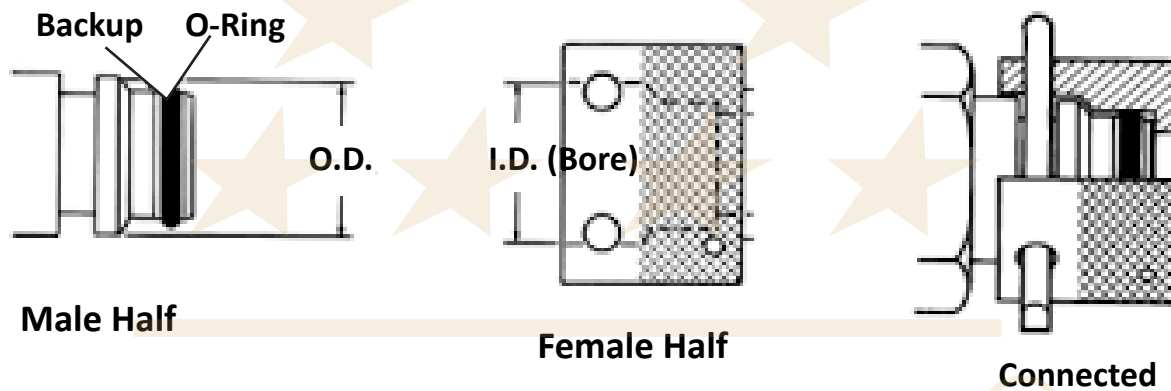
# ★★★★★ REAL HYDROFIT & CO.®

SPLTS: TUBE - PIPE FITTINGS - FLEXIBLE HOSES - HYDRAULIC FITTINGS

## AMERICAN CONNECTIONS

### SAE J1467

This is a radial O-Ring seal connection developed in Germany and commonly used for hydraulic application in underground mines. The male contains an exterior O-Ring and backup ring, plus a groove to accept the “staple”. The female has a smooth bore with two holes for the staple. A “U” shaped retaining clip or staple is inserted through the two holes, passing through the groove in the male to lock the connection together. The seal takes place by contact between the O-Ring in the male and the smooth bore of the female.



Inch size	Dash size	Male Thread O.D. (in)		Female thread I.D (in)	
		Fraction+	Decimal	Fraction+	Decimal
1/4	04	19/32	0.586	19/32	0.597
3/8	06	25/32	0.783	51/64	0.794
1/2	08	15/16	0.940	61/64	0.951
3/4	12	1 9/64	1.137	1 9/64	1.148
1	16	1 17/32	1.529	1 35/64	1.540
1 1/4	20	1 13/16	1.806	1 13/16	1.817
1 1/2	24	2 5/32	2.163	2 11/64	2.174
2	32	2 33/64	2.517	2 17/32	2.528

+Measure to th closest 1/64-inch.





# ★★★★★ REAL HYDROFIT & CO.®

SPLTS: TUBE - PIPE FITTINGS - FLEXIBLE HOSES - HYDRAULIC FITTINGS

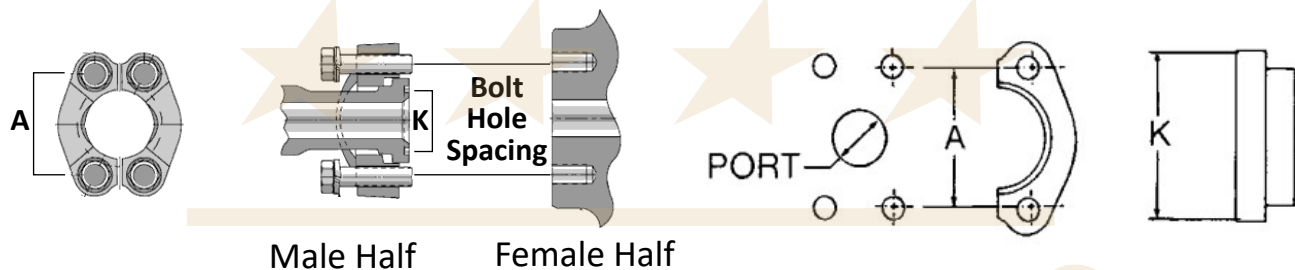
## AMERICAN CONNECTIONS

### SAE J518 4-BOLT FLANGE\*

This connection is commonly used in fluid power systems. There are two pressure ratings. Code 61 is referred to as the “standard” series and Code 62 is the “6000 psi” series. The design concept for both series is the same, but the bolt hole spacing and flanged head diameters are larger for the higher pressure, Code 62 connection.

The female (port) is an unthreaded hole with four bolt holes in a rectangular pattern around the port. The male consists of a flanged head, grooved for an O-Ring, and either a captive flange or split flange halves with bolt holes to match the port. The seal takes place on the O-Ring, which is compressed between the flanged head and the flat surface surrounding the port. The threaded bolts hold the connection together.

\*SAE J518, JIS B 8363, ISO/DIS 6162 and DIN 20066 are interchangeable, except for bolt sizes.



Inch Size (Dash Size)	Port Hole I.D. Inch Fraction (Decimal)	Bolt Dimensions Inch		Bolt Hole Spacing "A" Inch (Decimal)		Flanged Head Diameter "K" Inch (Decimal)	
		Cd.61	Cd.62	Cd.61	Cd.62	Cd.61	Cd.62
1/2 (08)	1/2 (0.50)	5/16-18 x1 1/4	5/16-18 x1 1/4	1 1/2 (1.50)	1 19/32 (1.59)	1 3/16 (1.19)	1 1/4 (1.25)
3/4 (12)	3/4 (0.75)	3/8-16 x1 1/4	3/8-16 x1 1/2	1 7/8 (1.88)	2 (2.00)	1 1/2 (1.50)	1 5/8 (1.63)
1 (16)	1 (1.00)	3/8-16 x1 1/4	7/16-14 x1 3/4	2 1/16 (2.06)	2 1/4 (2.25)	1 3/4 (1.75)	1 7/8 (1.88)
1 1/4 (20)	1 1/4 (1.25)	7/16-14 x1 1/2	1/2-13 x1 3/4	2 5/16 (2.31)	2 5/8 (2.63)	2 (2.00)	2 1/8 (2.13)
1 1/2 (24)	1 1/2 (1.50)	1/2-13 x1 1/2	5/8-11 x2 1/4	2 3/4 (2.75)	3 1/8 (3.12)	2 3/8 (2.38)	2 1/2 (2.50)
2 (32)	2 (2.00)	1/2-13 x1 1/2	3/4-10 x2 3/4	3 1/16 (3.06)	3 13/16 (3.81)	2 13/16 (2.81)	3 1/8 (3.12)

**How to Measure: Four Bolt Flange-** First measure the port hole diameter using the caliper. Next, measure the longest bolt hole spacing from center-to-center (Dimension "A") or measure the flanged head diameter.





# ★★★★★ REAL HYDROFIT & CO.®

SPLTS: TUBE - PIPE FITTINGS - FLEXIBLE HOSES - HYDRAULIC FITTINGS

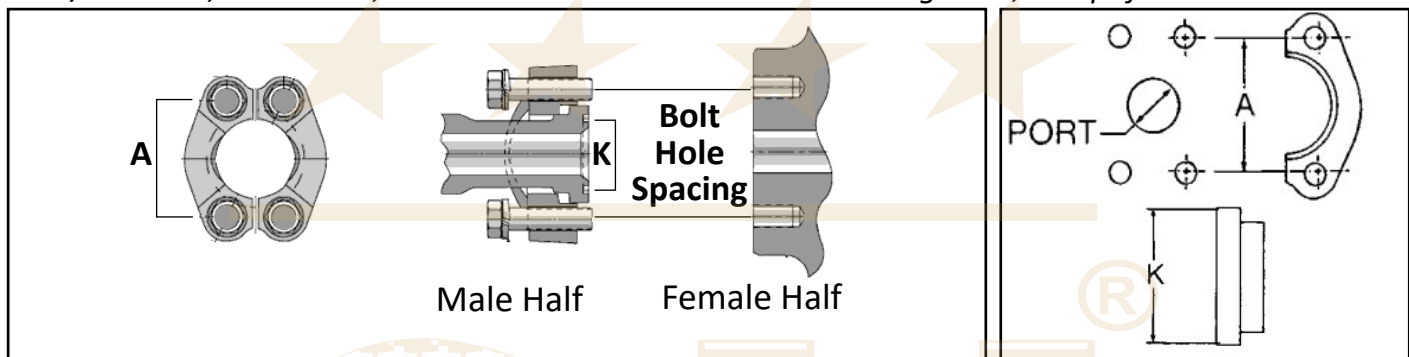
## ISO CONNECTION

### ISO/DIS 6162 4-BOLT FLANGE\*

This connection is commonly used in fluid power systems. There are two pressure ratings. PN 35/350 bar (Code 61) is the “standard” series, and PN 415 bar (Code 62) is the high pressure series. The design concept for both series is the same, but the bolt hole spacing and flanged head diameters are larger for the high pressure, PN 415 bar connection. Both metric and inches bolts are used. The port will have an “M” stamped on it if metric bolts are required.

The female (port) is an unthreaded hole with four boltholes in a rectangular pattern around the port. The male consists of a flanged head, grooved for an o-ring, and either a captive flange or split flange halves with bolt holes to match the port. The seal takes place on the o-ring, which is compressed between the flanged head and the flat surface surrounding the port. The threaded bolts hold the connection together.

*\*ISO/DIS 6162, DIN 20066, JIS B 8363 and SAE J518 are interchangeable, except for bolt sizes.*



Size mm Inch (Dash)	Port Hole mm Inch	Bolt Dimensions mm and Inch		Bolt Hole Spacing “A” mm Inch		Inch Size	flanged Head Diameter “K” mm Inch	
		PN 35/350 Bar (Cd.61)	PN 415 Bar (Cd.62)	PN 35/350 Bar (Cd.61)	PN 415 Bar (Cd.62)		PN 35/350 Bar (Cd.61)	PN 415 Bar (Cd.62)
13-1/2 (08)	12.7 (0.50)	MBx1.25x30 5/16-18x1-1/4	MBx1.25x30 5/16-18x1-1/4	38.10 (1.50)	40.49 (1.57)	1/2	30.18 (1.19)	31.75 (1.25)
19-3/4 (12)	19.1 (0.75)	M10x1.5x40 3/8-16x1-1/4	M10x1.5x40 3/8-16x1-1/2	47.63 (1.88)	50.80 (2.00)	3/4	38.10 (1.50)	41.28 (1.63)
25-1 (16)	25.4 (1.00)	M10x1.5x35 3/8-16x1-1/4	M12x1.75x45 7/16-14x1-3/4	52.37 (2.06)	57.15 (2.25)	1	44.45 (1.75)	47.63 (1.88)
32-1 1/4 (20)	31.8 (1.25)	M12x1.75x40 7/16-14x1-1/2	M14x2x50 1/2-13x1-3/4	58.72 (2.31)	66.68 (2.63)	1-1/4	50.80 (2.00)	53.98 (2.13)
38-1 1/2 (24)	38.1 (1.50)	M14x2x40 1/2-13x1-1/2	M16x2x55 5/8-11x2-1/4	69.85 (2.75)	79.38 (3.13)	1-1/2	60.33 (2.38)	63.50 (2.50)
51-2 (32)	50.8 (2.00)	M14x2x40 1/2-13x1-1/2	M20x2.5x70 3/4-10x2-3/4	77.77 (3.06)	96.82 (3.81)	2	71.42 (2.81)	79.38 (3.13)





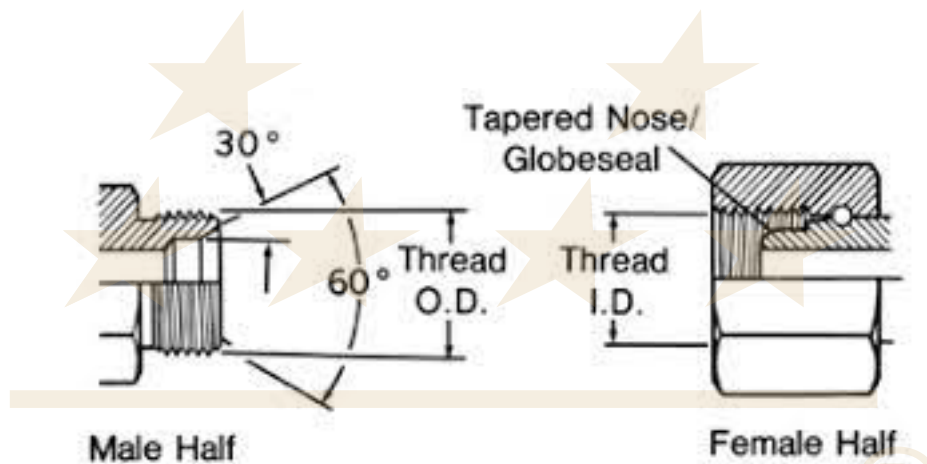
# ★★★★★ REAL HYDROFIT & CO.®

SPLTS: TUBE - PIPE FITTINGS - FLEXIBLE HOSES - HYDRAULIC FITTINGS

## GERMAN CONNECTIONS

### DIN 7631 SERIES

This connection is frequently used in hydraulic systems. The male has a straight metric thread and a 60° (included angle) recessed cone. The female has a straight thread and a tapered nose/ Globeseal™ seat. The seal takes place by contact between the cone of the male and the nose of the tapered nose/Globeseal flareless swivel. The threads hold the connection mechanically.



Use with Pipe/Tube O.D.		Metric Thread Size	Male Thread O.D.		Female Thread I.D.	
mm	Inch		mm	Inch	mm	Inch
6	0.24	M12 x 1.5	12	0.47	10.5	0.41
8	0.32	M14 x 1.5	14	0.55	12.5	0.49
10	0.39	M16 x 1.5	16	0.63	14.5	0.57
12	0.47	M18 x 1.5	18	0.71	16.5	0.65
15	0.59	M22 x 1.5	22	0.87	20.5	0.81
18	0.71	M26 x 1.5	26	1.02	24.5	0.96
22	0.87	M30 x 1.5	30	1.18	28.5	1.12
28	1.10	M38 x 1.5	38	1.50	36.5	1.44
35	1.38	M45 x 1.5	45	1.77	43.5	1.71
42	1.65	M52 x 1.5	52	2.04	50.5	1.99

# REOHYDE



sales@realhydrofit.com  
reohydesales@gmail.com



www.realhydrofit.com



9869078630, 9167921882  
91 22 66573951/52/53, 23717488





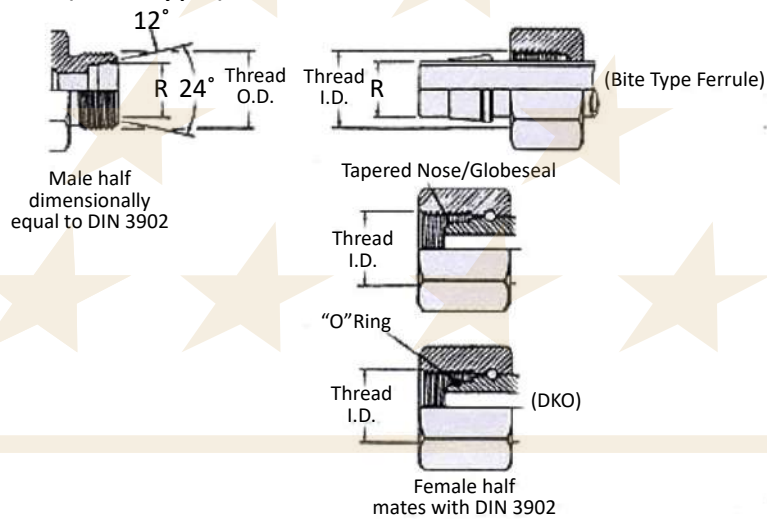
# ★★★★★ REAL HYDROFIT & CO.®

SPLTS: TUBE - PIPE FITTINGS - FLEXIBLE HOSES - HYDRAULIC FITTINGS

## GERMAN CONNECTIONS

### DIN 3902 SERIES

This connection style consists of a common male and three different female halves. The male has a straight metric thread, a 24° included angle and a recessed counterbore that matches the tube O.D. used with it. The female may be a tube, nut and ferrule, a tapered nose/Globeseal flareless swivel or a tapered nose/Globeseal flareless swivel with an O-Ring in the nose (DKO type).



Tube O.D. "R" Dim. I.Rh.* mm (Inch)	Tube O.D. "R" Dim. I.Rh.* mm (Inch)	Metric Thread Size	Male Thread O.D.		Female Thread I.D.	
			mm	Inch	mm	Inch
6(0.24)		M12 x 1.5	12	0.47	10.5	0.41
8(0.32)	6(0.24)	M14 x 1.5	14	0.55	12.5	0.49
10(0.39)	8(0.32)	M16 x 1.5	16	0.63	14.5	0.57
12(0.47)	10(0.39)	M18 x 1.5	18	0.71	16.5	0.65
	12(0.47)	M20 x 1.5	20	0.78	18.5	0.73
15(0.59)	14(0.55)	M22 x 1.5	22	0.87	20.5	0.81
	16(0.63)	M24 x 1.5	24	0.94	22.5	0.89
18(0.71)		M26 x 1.5	26	1.02	24.5	0.96
22(0.87)	20(0.78)	M30 x 2.0	30	1.18	28	1.11
28(1.10)	25(0.98)	M36 x 2.0	36	1.41	34	1.34
	30(1.18)	M42 x 2.0	42	1.65	40	1.57
35(1.38)		M45 x 2.0	45	1.77	43	1.70
42(1.65)	38(1.50)	M52 x 2.0	52	2.04	50	1.97

\*I.RH. is a light duty system.  
†s.RH. is a heavy duty system.





# REAL HYDROFIT & CO.®

SPLTS: TUBE - PIPE FITTINGS - FLEXIBLE HOSES - HYDRAULIC FITTINGS

## GERMAN CONNECTIONS

### DIN 20066 4-BOLT FLANGE\*

This connection is commonly used in fluid power systems. There are two pressure ratings. Form R (Code 61) is referred to as the “standard duty” series, and Form S (Code 62) is the “heavy duty” series. The design concept for both series is the same, but the bolt hole spacing and flanged head diameters are larger for the higher pressure, Form S connection. Both metric and inch bolts are used.

The female (port) is an unthreaded hole with four bolt holes in a rectangular pattern around the port. The male consists of a flanged head, grooved for an o-ring, and either a captive flange or split flange halves with bolt holes to match the port. The seal takes place on the o-ring, which is compressed between the flanged head and the flat surface surrounding the port. The threaded bolts hold the connection together.

\*DIN 20066, ISO/DIS 6166, JIS B 8363 and SAE J518 are interchangeable, except for bolt sizes.

Size mm Inch (Dash)	Port Hole mm Inch	Bolt Dimensions mm and Inch		Bolt Hole Spacing “A” mm Inch		Inch Size	flanged Head Diameter “K” mm Inch	
		From R (Cd.61)	From S (Cd.62)	From R (Cd.61)	From S (Cd.62)		From R (Cd.61)	From S (Cd.62)
12-1/2 (08)	12.7 (0.50)	M8x1.25x30 5/16-18x1-1/4	M8x1.25x30 5/16-18x1-1/4	38.10 (1.50)	40.49 (1.57)	1/2	30.18 (1.19)	31.75 (1.25)
20-3/4 (12)	19.1 (0.75)	M10x1.5x30 3/8-16x1-1/4	M10x1.5x40 3/8-16x1-1/2	47.63 (1.88)	50.80 (2.00)	3/4	38.10 (1.50)	41.28 (1.63)
25-1 (16)	25.4 (1.00)	M10x1.5x35 3/8-16x1-1/4	M12x1.75x45 7/16-14x1-3/4	52.37 (2.06)	57.15 (2.25)	1	44.45 (1.75)	47.63 (1.88)
32-1 1/4 (20)	31.7 (1.25)	M10x1.75x40 7/16-14x1-1/2	M14x2x45 1/2-13x1-3/4	58.72 (2.31)	66.68 (2.63)	1-1/4	50.80 (2.00)	53.98 (2.13)
40-1 1/2 (24)	38.0 (1.50)	M12x1.75x40 1/2-13x1-1/2	M16x2x55 5/8-11x2-1/4	69.85 (2.75)	79.38 (3.13)	1-1/2	60.33 (2.38)	63.50 (2.50)
50-2 (32)	50.8 (2.00)	M12x1.75x40 1/2-13x1-1/2	M20x2.5x70 3/4-10x2-3/4	77.77 (3.06)	96.82 (3.81)	2	71.42 (2.81)	79.38 (3.13)





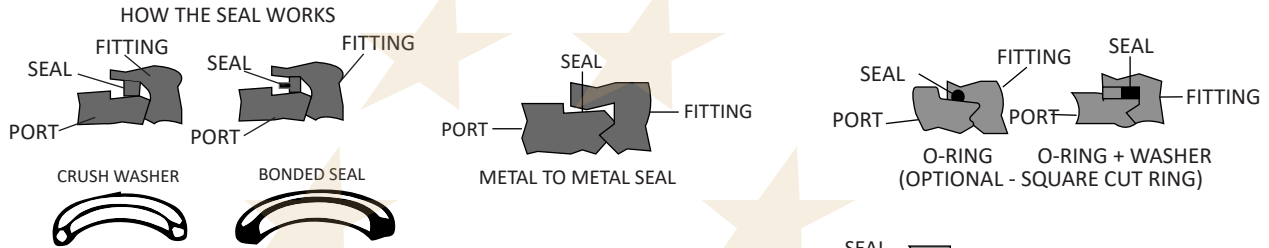
# REAL HYDROFIT & CO.®

SPLTS: TUBE - PIPE FITTINGS - FLEXIBLE HOSES - HYDRAULIC FITTINGS

## GERMAN CONNECTIONS

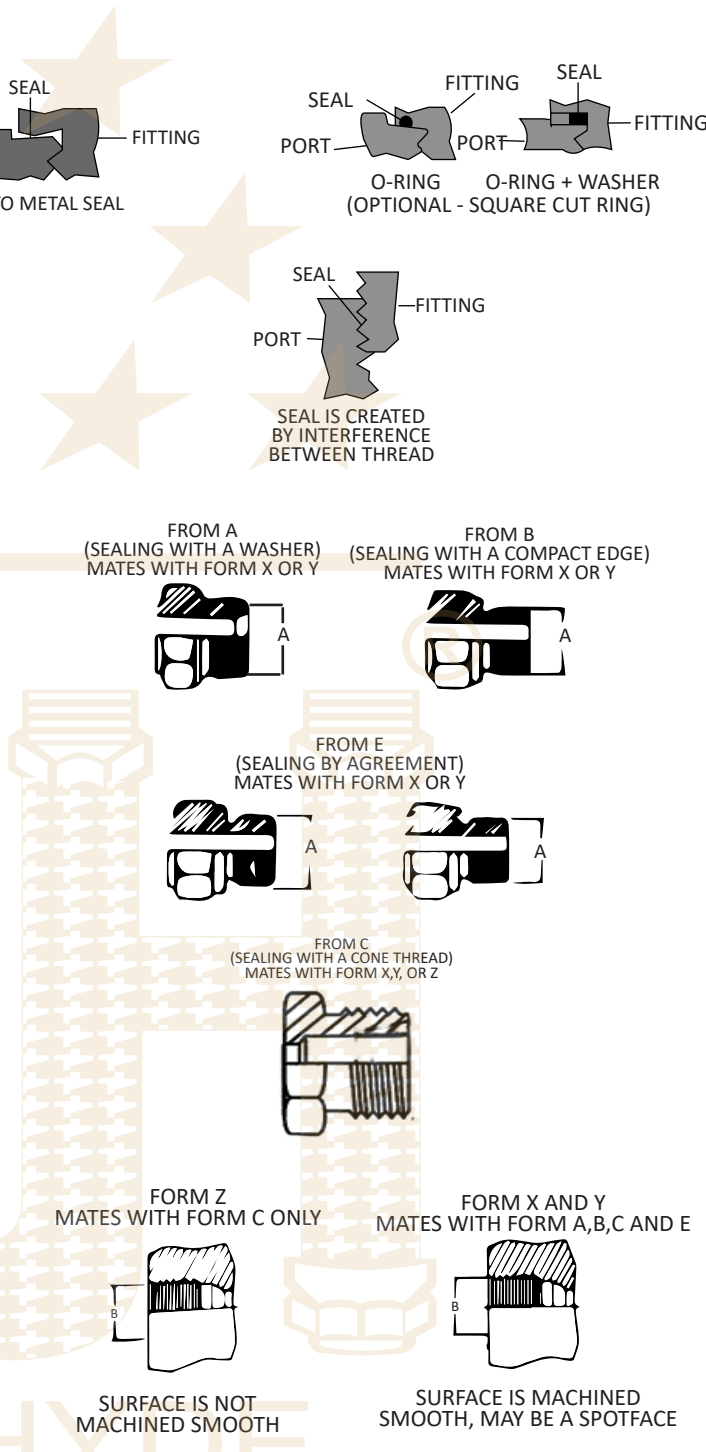
### DIN 3852 – MALE CONNECTORS AND FEMALE PORTS

This DIN is controlled by Germany, but other countries may use it as a reference for their connector and port designs. The chart below illustrates the various forms and how they seal.



### DIN 3852 METRIC THREADS

Metric Thread	Male Thread O.D. "A"		Female Thread I.D. "B"	
	mm	Inch	mm	Inch
M12 x 1.5	12	0.47	10.5	0.41
M14 x 1.5	14	0.55	12.5	0.49
M16 x 1.5	16	0.63	14.5	0.57
M18 x 1.5	18	0.71	16.5	0.65
M20 x 1.5	20	0.78	18.5	0.73
M22 x 1.5	22	0.87	20.5	0.81
M24 x 1.5	24	0.94	22.5	0.89
M26 x 1.5	26	1.02	24.5	0.96
M27 x 2	27	1.06	25	0.98
M30 x 1.5	30	1.18	28.5	1.12
M30 x 2	30	1.18	28	1.10
M33 x 2	33	1.30	31	1.22
M36 x 1.5	36	1.41	34.5	1.36
M36 x 2	36	1.41	34	1.33
M38 x 1.5	38	1.49	36.5	1.43
M38 x 2	38	1.49	36	1.41
M42 x 1.5	42	1.65	40.5	1.60
M42 x 2	42	1.65	40	1.57
M45 x 1.5	45	1.77	43.5	1.71
M45 x 2	45	1.77	43	1.69
M48 x 1.5	48	1.89	46.5	1.83
M48 x 2	48	1.89	46	1.81
M52 x 1.5	52	2.04	50.5	1.89
M52 x 2	52	2.04	50	1.97



For DIN 3852 Whitworth pipe thread dimensions, see BSPT/BSPP dimensions. They are the same.





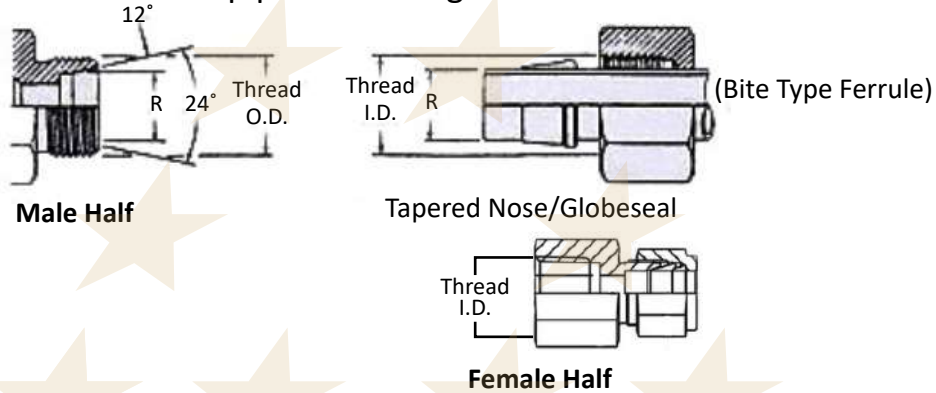
# ★★★★★ REAL HYDROFIT & CO.®

SPLTS: TUBE - PIPE FITTINGS - FLEXIBLE HOSES - HYDRAULIC FITTINGS

## FRENCH CONNECTIONS

### MILLIMETRIQUE AND GAZ SERIES

This connection consists of a common male and two different females. The Millimetrique Series is used with whole number metric O.D. tubing and the GAZ Series is used with fractional number metric O.D. pipe size tubing.



### MILLIMETRIQUE AND GAZ THREADS

Tube O.D. "R" Dim. I.Rh.* mm (Inch)	Tube O.D. "R" Dim. I.Rh.* mm (Inch)	Metric Thread Size	Male Thread O.D.		Female Thread I.D.	
			mm	Inch	mm	Inch
6(0.24)		M12 x 1.5	12	0.47	11	0.43
8(0.32)		M14 x 1.5	14	0.55	12.5	0.49
10(0.39)		M16 x 1.5	16	0.63	14.5	0.57
12(0.47)		M18 x 1.5	18	0.71	16.5	0.65
14(0.55)	13.25(0.52)	M20 x 1.5	20	0.78	18.5	0.73
15(0.59)		M22 x 1.5	22	0.87	20.5	0.81
16(0.63)	16.75(0.66)	M24 x 1.5	24	0.94	22.5	0.89
18(0.71)		M26 x 1.5	27	1.06	25.5	1.00
22(0.87)	21.25(0.83)	M30 x 1.5	30	1.18	28.5	1.12
25(0.98)		M33 x 1.5	33	1.30	31.5	1.24
28(1.10)	26.75(1.05)	M36 x 1.5	36	1.41	34.5	1.36
30(1.18)		M39 x 1.5	39	1.54	37.5	1.48
32(1.25)		M42 x 1.5	42	1.65	40.5	1.60
35(1.38)	33.50(1.32)	M45 x 1.5	45	1.77	43.5	1.71
38(1.50)		M48 x 1.5	48	1.89	46.5	1.83
40(1.57)	42.25(1.66)	M52 x 1.5	52	2.04	50.5	1.99
45(1.77)		M54 x 2.0	54	2.12	52	2.05
	48.25(1.90)	M58 x 2.0	58	2.28	55	2.16





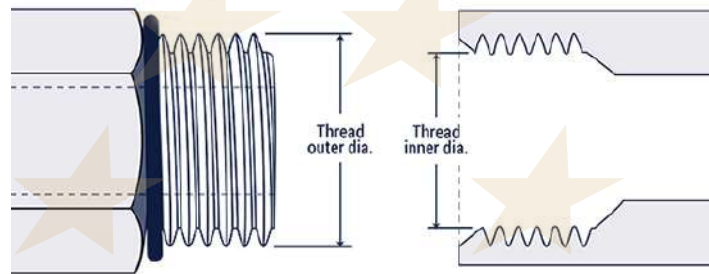
# ★★★★★ REAL HYDROFIT & CO.®

SPLTS: TUBE - PIPE FITTINGS - FLEXIBLE HOSES - HYDRAULIC FITTINGS

## BRITISH CONNECTIONS

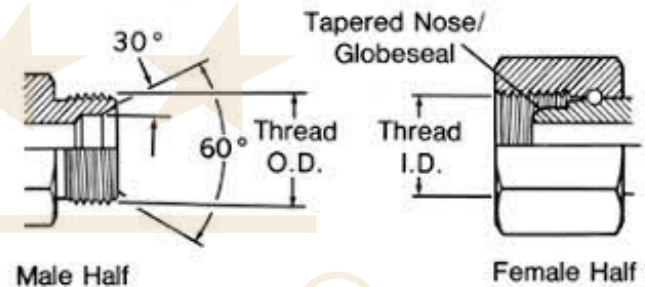
### BRITISH STANDARD PIPE (BSP)

The BSPT (tapered) connection is similar to the NPT, except that the thread pitches are different in most sizes, and the thread form and O.D.'s are close but not the same. Sealing is accomplished by thread distortion. A thread sealant is recommended.



The BSP (parallel) male is similar to the NPSM male except the thread pitches are different in most sizes.

The female swivel BSPP has a tapered nose/Globeseal flareless swivel which seals on the cone seat of the male.



**NOTE: ALL CONNECTORS ARE AVAILABLE BRITISH STANDARD PIPE (BSP)**

Inch size	Dash size	Nominal Thread Size*	Male Thread O.D. (in)		Female thread I.D (in)	
			Fraction	Decimal	Fraction	Decimal
1/8	02	1/8-28	3/8	0.38	11/32	0.35
1/4	04	1/4-19	33/64	0.52	15/32	0.47
3/8	06	3/8-19	21/32	0.65	19/32	0.60
1/2	08	1/2-14	13/16	0.82	3/4	0.75
5/8	10	5/8-14	7/8	0.88	13/16	0.80
3/4	12	3/4-14	1 1/32	1.04	31/32	0.97
1	16	1-11	1 5/16	1.30	1 7/32	1.22
1 1/4	20	1 1/4-11	1 21/32	1.65	1 9/16	1.56
1 1/2	24	1 1/2-11	1 7/8	1.88	1 25/32	1.79
2	32	2-11	2 11/32	2.35	2 1/4	2.26

\*Frequently, the thread size is expressed as a fractional dimension preceded by the letter "G" or the letter "R." The "G" represents a parallel thread, and the "R" indicates a tapered thread. For example, BSPP 3/8-19 may be expressed as G3/8, and BSPT 3/8-19 may be expressed as R 3/8.





# ★★★★★ REAL HYDROFIT & CO.®

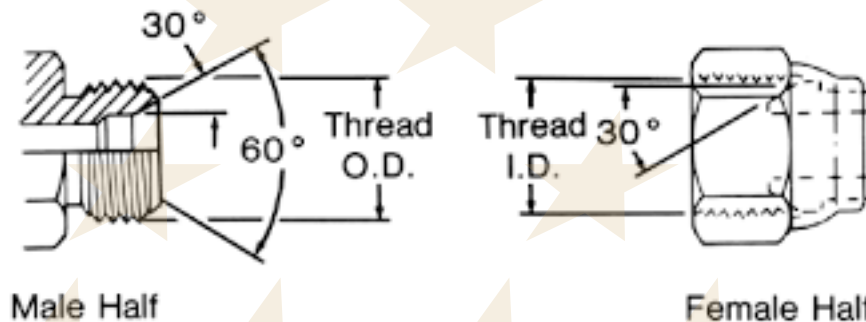
SPLTS: TUBE - PIPE FITTINGS - FLEXIBLE HOSES - HYDRAULIC FITTINGS

## JAPANESE CONNECTIONS

### JIS 30° MALE INVERTED SEAT, PARALLEL PIPE THREADS (THREADS PER JIS B 0202)

The JIS parallel is similar to the BSPP connection.

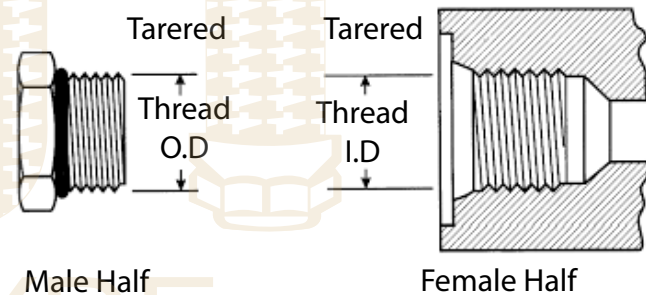
The JIS parallel thread and the BSPP connection are interchangeable.



Inch size	Size mm (Dash)	Nominal Thread Size similar to BSPT	Male Thread O.D. (in)		Female thread I.D (in)	
			Fraction	mm	Fraction	mm
1/4	6(04)	1/4-19	33/64	13.2	15/32	11.9
3/8	9(06)	3/8-19	21/32	16.7	19/32	15.3
1/2	12(08)	1/2-14	13/16	21.0	3/4	19.2
3/4	19(12)	3/4-14	1 1/32	26.4	31/32	24.6
1	25(16)	1-11	1 5/16	33.3	1 7/32	30.9
1 1/4	32(20)	1 1/4-11	1 21/32	41.9	1 9/16	39.6
1 1/2	38(24)	1 1/2-11	1 7/8	47.8	1 25/32	45.5
2	50(32)	2-11	2 11/32	59.7	2 1/4	57.4

### JIS TAPERED PIPE (PT) (THREAD PER JIS B 0203)

The JIS tapered thread is similar to the BSPT connection in design, appearance and dimensions. The JIS tapered thread and the BSPT connection are interchangeable.



REOHYDE



sales@realhydrofit.com  
reohydesales@gmail.com



www.realhydrofit.com



9869078630, 9167921882  
91 22 66573951/52/53, 23717488





# ★★★★★ REAL HYDROFIT & CO.®

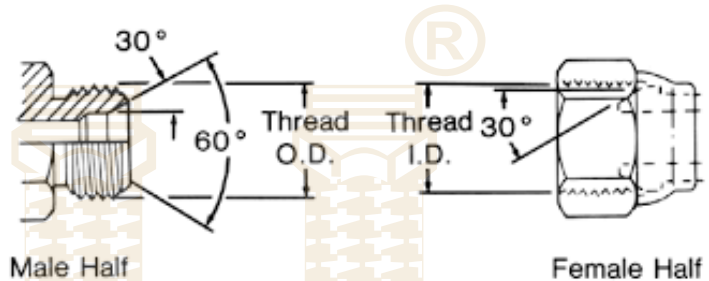
SPLTS: TUBE - PIPE FITTINGS - FLEXIBLE HOSES - HYDRAULIC FITTINGS

## JAPANESE CONNECTIONS

Inch size	Size mm (Dash)	Nominal Thread Size (similar to BSPT)	Male Thread O.D. (in)		Female thread I.D (in)	
			Fraction	Decimal	Fraction	Decimal
1/4	6(04)	1/4-19	33/64	13.2	15/32	11.9
3/8	9(06)	3/8-19	21/32	16.7	19/32	15.3
1/2	12(08)	1/2-14	13/16	21.0	3/4	19.2
3/4	19(12)	3/4-14	1 1/32	26.4	31/32	24.6
1	25(16)	1-11	1 5/16	33.3	1 7/32	30.9
1 1/4	32(20)	1 1/4-11	1 21/32	41.9	1 9/16	39.6
1 1/2	38(24)	1 1/2-11	1 7/8	47.8	1 25/32	45.5
2	50(32)	2-11	2 11/32	59.7	2 1/4	57.4

### JIS 30° MALE (INVERTED) SEAT, METRIC THREADS (THREAD PER JIS B 0207)

The JIS parallel (metric) is the same as the JIS parallel (PF), except for the thread difference.



size mm	Dash size Equivalent	Thread Size	Male Thread O.D. (in)		Female thread I.D (in)	
			mm	Inch	mm	Inch
6	04	M14x1.5	14	0.55	12.5	0.49
9	06	M18x1.5	18	0.71	16.5	0.65
12	08	M22x1.5	22	0.87	20.5	0.81
19	12	M30x1.5	30	1.18	28.5	1.12
25	16	M33x1.5	33	1.30	31.5	1.24
32	20	M42x1.5	42	1.65	40.5	1.60





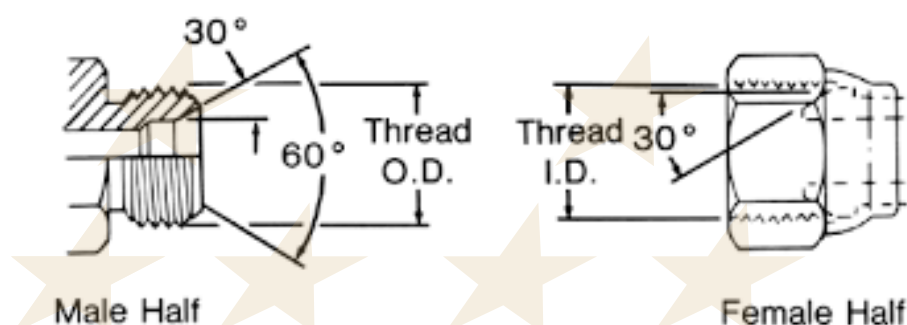
# ★★★★★ REAL HYDROFIT & CO.®

SPLTS: TUBE - PIPE FITTINGS - FLEXIBLE HOSES - HYDRAULIC FITTINGS

## JAPANESE CONNECTIONS

### JIS 30° FEMALE (CONE) SEAT, PARALLEL PIPE THREADS (THREADS PER JIS B 0202)

The Japanese JIS 30° flare is similar to the American SAE 37° flare connection in application as well as sealing principles. However, the flare angle and dimensions are different. The threads are similar to BSPP.



Inch size	Size mm (Dash)	Nominal Thread Size similar to BSPT	Male Thread O.D. (in)		Female thread I.D. (in)	
			Fraction	mm	Fraction	mm
1/4	6(04)	1/4-19	33/64	13.2	15/32	11.9
3/8	9(06)	3/8-19	21/32	16.7	19/32	15.3
1/2	12(08)	1/2-14	13/16	21.0	3/4	19.2
3/4	19(12)	3/4-14	1 1/32	26.4	31/32	24.6
1	25(16)	1-11	1 5/16	33.3	1 7/32	30.9
1 1/4	32(20)	1 1/4-11	1 21/32	41.9	1 9/16	39.6
1 1/2	38(24)	1 1/2-11	1 7/8	47.8	1 25/32	45.5
2	50(32)	2-11	2 11/32	59.7	2 1/4	57.4



# REOHYDE



sales@realhydrofit.com  
reohydesales@gmail.com



www.realhydrofit.com



9869078630, 9167921882  
91 22 66573951/52/53, 23717488





# ★★★★★ REAL HYDROFIT & CO.®

SPLTS: TUBE - PIPE FITTINGS - FLEXIBLE HOSES - HYDRAULIC FITTINGS

## JAPANESE CONNECTIONS

### JIS B 8363 4-BOLT FLANGE\*

This connection is commonly used in fluid power systems. There are two pressure ratings. Type I (Code 61) is referred to as the “standard” series, and Type II (Code 62) is the “6000 psi” series. The design concept for both series is the same, but the bolt hole spacing and flanged head diameters are larger for the higher pressure, Type II connection. Both metric and inch bolts are used.

The female (port) is an unthreaded hole with four bolt holes in a rectangular pattern around the port. The male consists of a flanged head, grooved for an o-ring, and either a captive flange or split flange halves with bolt holes to match the port. The seal takes place on the O-Ring, which is compressed between the flanged head and the flat surface surrounding the port. The threaded bolts hold the connection together.

\*JIS B 8363, ISO/DIS 6162, DIN 20066 and SAE J518 are interchangeable, except for bolt sizes.

Size mm Inch (Dash)	Port Hole mm Inch	Bolt Dimensions mm and Inch		Bolt Hole Spacing “A” mm Inch		Inch Size	flanged Head Diameter “K” mm Inch	
		From R (Cd.61)	From S (Cd.62)	From R (Cd.61)	From S (Cd.62)		From R (Cd.61)	From S (Cd.62)
12-1/2 (08)	12.7 (0.50)	M8x1.25x30 5/16-18x1-1/4	M8x1.25x30 5/16-18x1-1/4	38.10 (1.50)	40.49 (1.57)	1/2	30.18 (1.19)	31.75 (1.25)
19-3/4 (12)	19.1 (0.75)	M10x1.5x30 3/8-16x1-1/4	M10x1.5x40 3/8-16x1-1/2	47.63 (1.88)	50.80 (2.00)	3/4	38.10 (1.50)	41.28 (1.63)
25-1 (16)	25.4 (1.00)	M10x1.5x35 3/8-16x1-1/4	M12x1.75x45 7/16-14x1-3/4	52.37 (2.06)	57.15 (2.25)	1	44.45 (1.75)	47.63 (1.88)
32-1 1/4 (20)	31.7 (1.25)	M10x1.5x40 7/16-14x1-1/2	M14x2x45 1/2-13x1-3/4	58.72 (2.31)	66.68 (2.63)	1-1/4	50.80 (2.00)	53.98 (2.13)
38-1 1/2 (24)	38.0 (1.50)	M12x1.75x40 1/2-13x1-1/2	M16x2x55 5/8-11x2-1/4	69.85 (2.75)	79.38 (3.13)	1-1/2	60.33 (2.38)	63.50 (2.50)
50-2 (32)	50.8 (2.00)	M12x1.75x40 1/2-13x1-1/2	M20x2.5x70 3/4-10x2-3/4	77.77 (3.06)	96.82 (3.81)	2	71.42 (2.81)	79.38 (3.13)





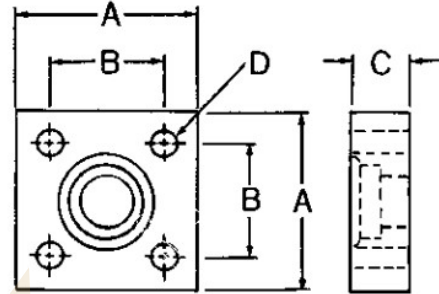
# ★★★★★ REAL HYDROFIT & CO.®

SPLTS: TUBE - PIPE FITTINGS - FLEXIBLE HOSES - HYDRAULIC FITTINGS

## JAPANESE CONNECTIONS

### JIS 210 KGF/CM2 4-BOLT SQUARE FLANGE

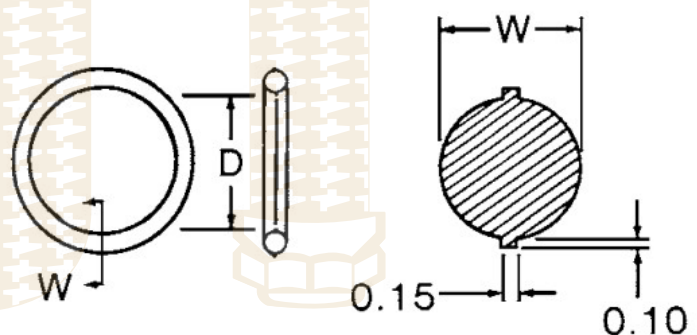
The JIS 4-bolt square flange connection is similar in concept to the SAE 4-bolt flange connection, except that the JIS bolt pattern is square and the flange itself is different.



Size mm	Approx. Inch Size	Bolt Size mm (Bolt Length for long Desidn)	Dim."A" mm Inch	Dim."B" mm Inch	Dim."C" mm Inch	Dim."D" mm Inch
12	1/2	M10x1.5x55 (80)	63 (2.48)	40 (1.57)	22 (0.87)	11 (0.43)
19	3/4	M10x1.5x55 (80)	68 (2.67)	45 (1.77)	22 (0.87)	11 (0.43)
25	1	M12x1.75x70 (100)	80 (3.15)	53 (2.09)	28 (1.10)	13 (0.51)
32	1 1/4	M12x1.75x70 (100)	90 (3.54)	63 (2.48)	28 (1.10)	13 (0.51)
38	1 1/2	M16x2.0x90 (130)	100 (3.94)	70 (2.76)	36 (1.42)	18 (0.71)
50	2	M16x2.0x90 (130)	112 (4.41)	80 (3.15)	36 (1.42)	18 (0.71)

### JIS 210 KGF/CM2 O-RING

Nominal size mm	Dim "D" mm	Dim "W" mm
12	24.4±0.15	3.1±0.1
19	29.4±0.15	3.1±0.1
25	34.4±0.15	3.1±0.1
32	39.4±0.15	3.1±0.1
38	49.4±0.15	3.1±0.1
50	59.4±0.15	3.1±0.1





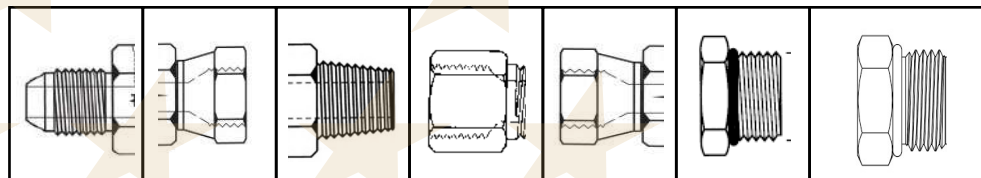
# ★★★★★ REAL HYDROFIT & CO.®

SPLTS: TUBE - PIPE FITTINGS - FLEXIBLE HOSES - HYDRAULIC FITTINGS

## THREAD PRESSURE PERFORMANCE

### Thread Style Pressure Performance/Maximum Operating Pressure

The following table is a breakdown of hydraulic pressure performance by thread style and size for steel products. The table is based on limited laboratory test data is intended only as an approximate guide to field performance of Eaton Aeroquip products. Figures shown are maximum operating pressures in psi, based upon a 4:1 safety factor relative to the connection minimum burst pressure. Testing was conducted at SAE recommended assembly torque in hardened test blocks. The pressure rating must be adjusted for any change in mating part material. The maximum operating pressure for the adapter or tube fitting body must be the lower of the chosen mating end types.



Dash Size	Inch Size	SAE100R2 MAXimum operating pressure	SAE 37° Flare Male (JIC)	SAE 37° Flare Swivel (JIC)	Male Pipe NPTF	Female Pipe NPTF	Female Pipe Swivel NPSM	Male O-Ring Boss	Straight Thread O-Ring Adjustable
-2	1/8				10000	5000	6000		
-4	1/4	5000	8500	5500	9500	4500	5000	7500	4500
-5	5/16	4250	8500	5000				7500	3500
-6	3/8	4000	7000	4000	8000	3500	4000	7500	4000
-8	1/2	3500	6000	4000	6000	3500	3500	7500	4000
-10	5/8	2750	5500	3000				7500	4000
-12	3/4	2250	4000	3000	5000	3000	3500	5000	3500
-14	7/8	2000	4000	3000				5000	3000
-16	1	2000	3500	2500	4000	2500	3000	4500	2500
-20	1 1/4	1625	3500	2000	3000	2000	2000	4500	2000
-24	1 1/2	1250	2000	1500	2000	1500	1500	3500	2000
-32	2	1125	1250	1250	2000	1400	1500	2000	

# REOHYDE

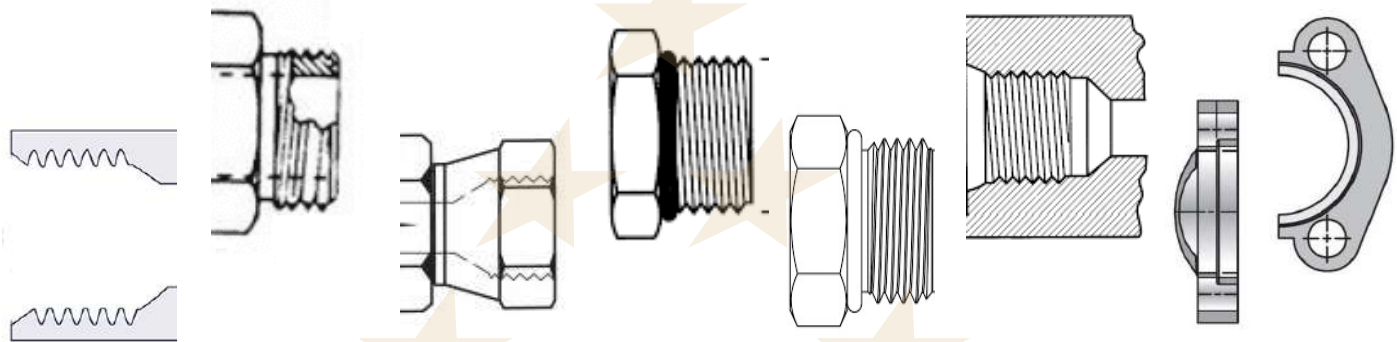




# ★★★★★ REAL HYDROFIT & CO.®

SPLTS: TUBE - PIPE FITTINGS - FLEXIBLE HOSES - HYDRAULIC FITTINGS

## THREAD PRESSURE PERFORMANCE



Dash Size	Inch Size	SAE100R2 Maximum operating pressure	Female O-Ring Boss	ORS Male	ORS Female Swivel	ORS/ STR	ORB/ ADJ	Male SAE Flareless	Flange Code 61	Flange Code 62
-2	1/8									
-4	1/4	5000	4500	9000	9000	9000	6000	6000		
-5	5/16	4250	3500							
-6	3/8	4000	3500	9000	9000	9000	6000	6000		
-8	1/2	3500	3000	9000	8000	9000	6000	6000	5000	6000
-10	5/8	2750	2500	9000	8000	9000	6000	5000		
-12	3/4	2250	1800	6000	6000	6000	6000	4500	5000	6000
-14	7/8	2000	1700							
-16	1	2000	1600	6000	6000	6000	5000	4000	5000	6000
-20	1 1/4	1625	1500	4500	4500	4500	4500		4000	6000
-24	1 1/2	1250	1500	4000	4000	4000	3000		3000	6000
-32	2	1125							3000	6000

# REOHYDE



sales@realhydrofit.com  
reohydesales@gmail.com



www.realhydrofit.com



9869078630, 9167921882  
91 22 66573951/52/53, 23717488





# ★★★★★ REAL HYDROFIT & CO.®

SPLTS: TUBE - PIPE FITTINGS - FLEXIBLE HOSES - HYDRAULIC FITTINGS

## ASSEMBLY TORQUE

### Recommended parallel connection assembly torque

Torque wrench be used to assure proper fitting assembly of these connections.

ORS®	Dash Size	Thread Size (Inches)	Swivel Nut Torque	
			Ft./Lbs	Newton Meters
	-04	9/16-18	10-12	14-16
	-06	11/16-16	18-20	24-27
	-08	13/16-16	32-35	43-47
	-10	1-14	46-50	62-68
	-12	1 3/16-12	65-70	88-95
	-16	1 7/16-12	92-100	125-136
	-20	1 11/16-12	125-140	170-190
	-24	2/12	150-165	204-224

Straight Thread O-Ring Boss Low Pressure with 37° (SAEJ514)	Dash Size	Thread Size (Inches)	Jam Nut or Straight Fitting Torque	
			Ft./Lbs	Newton Meters
	-03	3/8-24	8-9	12-13
	-04	7/16-20	13-15	18-20
	-05	1/2-20	14-15	19-21
	-06	9/16-18	23-24	32-33
	-08	3/4-16	40-43	55-57
	-10	7/8-14	43-48	59-64
	-12	1 1/16-12	68-75	93-101
	-14	1 3/16-12	83-90	113-122
	-16	1 5/16-12	112-123	152-166
	-20	1 5/8-12	146-161	198-218
	-24	1 7/8-12	154-170	209-230
	-32	2 1/2-12	218-240	296-325

# REOHYDE





# ★★★★★ REAL HYDROFIT & CO.®

SPLTS: TUBE - PIPE FITTINGS - FLEXIBLE HOSES - HYDRAULIC FITTINGS

## ASSEMBLY TORQUE

Recommended parallel connection assembly torque

	Dash Size	Thread Size (Inches)	Jam Nut or Straight Fitting Torque	
			Ft./Lbs	Newton Meters
Straight Thread O-Ring Boss High Pressure with ORS® (J1453)	-03	3/8-24	8-10	11-13
	-04	7/16-20	14-16	20-22
	-05	1/2-20	18-20	24-27
	-06	9/16-18	24-26	33-35
	-08	3/4-16	50-60	68-78
	-10	7/8-14	72-80	98-110
	-12	1 1/16-12	125-135	170-183
	-14	1 3/16-12	160-180	215-245
	-16	1 5/16-12	200-180	270-300
	-20	1 5/8-12	210-280	285-380
	-24	1 7/8-12	270-360	370-490

	Dash Size	Thread Size (Inches)	Jam Nut or Straight Fitting Torque	
			Ft./Lbs	Newton Meters
SAE 37° (JIC)	-04	7/16-20	11-12	15-16
	-05	1/2-20	15-16	20-22
	-06	9/16-18	18-20	24-28
	-08	3/4-16	38-42	52-58
	-10	7/8-14	57-62	77-85
	-12	1 1/16-12	79-87	108-119
	-16	1 5/16-12	108-113	148-154
	-20	1 5/8-12	127-133	173-182
	-24	1 7/8-12	158-167	216-227
	-32	2 1/2-12	245-258	334-352

# REOHYDE

sales@realhydrofit.com  
reohydesales@gmail.com

www.realhydrofit.com

9869078630, 9167921882  
91 22 66573951/52/53, 23717488





# ★★★★★ REAL HYDROFIT & CO.®

SPLTS: TUBE - PIPE FITTINGS - FLEXIBLE HOSES - HYDRAULIC FITTINGS

## ASSEMBLY TORQUE

Recommended parallel connection assembly torque

	Thread size mm	Jam Nut or Straight Fitting Torque	
		Ft./Lbs	Newton Meters
Metric	M10 x 1	13-15	18-20
	M12 x 1.5	15-19	20-25
	M14 x 1.5	19-23	25-30
	M16 x 1.5	33-40	45-55
	M18 x 1.5	37-44	50-60
	M20 x 1.5	52-66	70-90
	M22 x 1.5	55-70	75-95
	M26 x 1.5	81-96	110-130
	M27 x 2	96-111	130-150
	M33 x 2	162-184	220-250
	M42 x 2	170-192	230-260
	M48 x 2	258-347	350-470

	Nominal Thread size Inches**	Straight Adapter/Locknut Torque	
		Ft./Lbs	Newton Meters
BSPP **G" donotes parallel threads, other than ISO 6149. (Port connection only)	G 1/8-28	13-15	18-20
	G 1/4-16	19-23	20-25
	G3/8-19	33-40	45-55
	G1/2-14	55-70	75-95
	G3/4-14	103-118	140-160
	G1-11	162-184	220-250
	G1 1/4-11	170-192	230-260
	G1 1/2-11	258-347	350-470

A torque wrench be used to assure proper fitting assembly of these connections.

# REOHYDE





# ★★★★★ REAL HYDROFIT & CO.®

SPLTS: TUBE - PIPE FITTINGS - FLEXIBLE HOSES - HYDRAULIC FITTINGS



sales@realhydrofit.com  
reohydesales@gmail.com

www.realhydrofit.com

9869078630, 9167921882  
91 22 66573951/52/53, 23717488





# REAL HYDROFIT & CO.®

SPLTS: TUBE - PIPE FITTINGS - FLEXIBLE HOSES - HYDRAULIC FITTINGS

Udyog Aadhaar		Type of Enterprise	Micro	Small	Medium
<b>B</b>	Manufacturing	A	B	C	
	Services	D	E	F	
	UAN	MH1980048230			
	<b>Udyog Aadhaar Memorandum</b>				

1. Aadhaar Number: 742365941520  
 2. PAN Number: ADJPM362L  
 3. Name of Entrepreneur: AMIR ABDULHUSAIN MASTA  
 4. Social Category of Entrepreneur: GENERAL  
 5. Gender: Male  
 6. Physically Handicapped: No  
 7. Name of Enterprise: REAL HYDROFIT AND CO  
 8. Type of Organization: Proprietary  
 9. Location of Plant Details

SN	Flat/Door/Block No.	Name of Premises/Building/Village	Road/Street/ Lane	Area/Locality	City	Pin	State	District
1	UNIT NO.4, GROUND FL	OLD ATLAS MILL COMPOUND	210, REAY ROAD (W)	REAY ROAD	MUMBAI	400010	MAHARASHTRA	MUMBAI CITY

Official Address of Enterprise: 514/A, SUSSEX INDUSTRIAL ESTATE, D.K. CROSS ROAD, BYCULLA (E), MUMBAI

10. District: MUMBAI CITY State: MAHARASHTRA PIN: 400027  
 Mobile No: 9869078630 Email: sales@realhydrofit.com

11. Date of commencement: 29/03/1962  
 12. Previous Registration details-if any: -  
 Bank Details: IFS Code: UBIN0531626 Bank Account: 316201010036101

14. Major Activity: MANUFACTURING

SN	NIC 2 Digit	NIC 4 Digit	NIC 5 Digit Code	Activity Type
1	23	2399	23999 - Manufacture of other non-metallic mineral products n.e.c. (includes asbestos yarn and fabric, and articles of asbestos yarn and fabric such as clothing, headgear, footwear, cord, string, paper or felt, friction material with a basis of asbestos or other mineral substances or of cellulose including unmounted articles such as friction material; mineral insulating material (slag wool, rockwool and similar mineral wools, exfoliated vermiculite, expanded clays and similar insulating material); products of glass wool for heat-insulating; articles of asphalt or of similar material (e.g. coal tar pitch), gypsum and articles of other mineral substances)	Manufacturing
2	32	3290	3290 - Other manufacturing	Manufacturing

17. Persons employed: 21  
 18. Investment (Plant & Machinery / Equipments): 50(Rs. In Lakhs)  
 19. District Industry Centre: MUMBAI CITY

Declaration: I hereby declare that information given above is true to the best of my knowledge. Any information, that may be required to be verified, shall be provided immediately before the concerned authority.  
 MyMeme Mobile App (Beta Version) is available now for download: <https://play.google.com/store/apps/details?id=meme.mymeme>

CERTIFICATE • СЕРТИФИКАТ • 証明書 • СЕРТИФИКА • CERTIFICATE



**Certificate**  
 CDG Certification Limited  
 certifies that  
**Real Hydrofit & Co.**  
 (Brand Name: Speedway Products)

514/51/A, Sussex Industrial Estate, D.K. Cross Road, Byculla (E),  
 Mumbai-400027 Maharashtra / INDIA  
 OLO Atlas Mill Compound, Unit No. 4, Ground Floor 210, Reay Road (W),  
 Mumbai-400010 Maharashtra / INDIA

Has established and applied a Quality Management System  
 for following scope of activities:  
**Manufacturer & Stockiest of Flexible Hoses & Hydraulic Fittings**

The Management System of the above organization has been audited and found to be in  
 accordance with the requirements of management system standards detailed below

## ISO 9001 : 2008

Certificate Registration No: CCLQMS/21335  
 Originally registered: 26/06/2014 Latest Issue: 26/06/2014 Expiry Date: 22/06/2017  
 Validity of certificate is subjected to the continued satisfactory operation of the organization's Management System.

Managing Director

This document is issued by the customer subject to the terms and conditions of purchase for certificate services provided by www.cdgcertification.com. Once the day of customer order is registered with the customer, the certificate number will be issued. In case of any modification or change in the certificate, the customer shall be notified in advance. The certificate number shall be valid only for the purpose of registration and shall not be used for any other purpose. The certificate number shall be valid only for the purpose of registration and shall not be used for any other purpose. The certificate number shall be valid only for the purpose of registration and shall not be used for any other purpose.







## CERTIFICATE

**Certificate of Compliance**

We confirm that the technical documentation for the below mentioned products according to the Council Directive 97/23/EC Pressure equipment (PED)

Products:  
**Industrial Rubber Hoses, Hydraulic Hoses, Marine Industrial Hoses, Gas & Pharmaceutical Hoses, High Temperature Hoses, Bellows, Industrial Fittings, Industrial Valves, Hydraulic Fitting, Fitting Equipments, Quick Release Couplings, Industrial Hose Ends, Industrial Accessories, PTFE Expansion Bellows, Industrial Coupling & Fire Fighting Hose**

Manufactured by company:  
**Real Hydrofit & Co.**  
 514/51/A, Sussex Industrial Estate, D.K. Cross Road, Byculla (E),  
 Mumbai- 400027 Maharashtra India  
 OLO Atlas Mill Compound, 210, Reay Road (W), Mumbai- 400010  
 Maharashtra India

is complying to the applicable essential requirements of Directive 97/23/EC Pressure equipment (PED).

The Regal Quality Registrars Inc. has conducted with successful results the review of the manufacturer's technical documentation of the certified according to above mentioned Directive.

This certificate is issued under the following conditions:

- It applies only to the above referenced set of products mentioned above. The manufacturer is obligated to assure that all products of the respective model confirm to the type assessed by this certificate.
- The Certificate validity is conditioned by the positive results of the surveillance audits.
- The Certificate remains valid until the manufacturing conditions, the quality systems or relevant legislation are changed but until the 25<sup>th</sup> Jul 2017.
- After fulfilling the relevant EU legislation requirements, the manufacturer shall affix to each product of the above referenced models, CE Marking according to the following example:

Certificate No: CE-2248  
 Date of registration: 27<sup>th</sup> Jul 2014  
 Date of this certificate: 27<sup>th</sup> Jul 2014  
 Date of Expiry: 26<sup>th</sup> Jul 2017



  
 Authorizer Signatory  
 Regal Quality Registrars Inc.

Statement: This certificate is conformity based on the evaluation of a sample of the above mentioned products. It does not imply any assessment of the mass production of the product. The certification body should be informed in advance of any modification or change made to the above mentioned product type(s). The manufacturer is responsible for the product and ensuring that all manufactured products are in compliance with the specifications detailed in the technical construction file.

Further clarifications regarding the scope of this certificate and the applicability of the management system requirements may be obtained by the manufacturer. Check your requirements to all the current status of the certificate. Whilst all due care and skill was exercised in carrying out the assessment, RQR accepts responsibility only for product given registration. This certificate remains property of RQR to whom it must be returned upon request.

This Certificate is valid as long as the registration meets RQR's requirements. The status of the certificate may be checked at [www.regalregistrars.co.uk](http://www.regalregistrars.co.uk)  
**REGAL QUALITY REGISTRARS INC.**  
[www.regalregistrars.co.uk](http://www.regalregistrars.co.uk)

sales@realhydrofit.com  
 reohydesales@gmail.com

www.realhydrofit.com

9869078630, 9167921882  
 91 22 66573951/52/53, 23717488



# OUR MORE PRODUCTS

\*\*\*\*\*  
**REAL HYDROFIT & CO.**  
 SPLTS: PP CLAMP - FLEXIBLE HOSES - HYDRAULIC FITTINGS  
**PIPE CLAMPS**

www.realhydrofit.com

\*\*\*\*\*  
**REAL HYDROFIT & CO.**  
 SPLTS: VALVE - FLEXIBLE HOSES - HYDRAULIC FITTINGS  
**INSTRUMENTATION VALVES**

BALL VALVES  
 NEEDLE VALVES  
 MONOFLANGE VALVES  
 MANIFOLD VALVES  
 CHECK VALVES

M.O.C:  
 A479 304, A479 316, A182 GRF 316, Monel,  
 Hastelloy, Inconel, Duplex,  
 A choice of PTFE and PEEK are available.

www.realhydrofit.com

\*\*\*\*\*  
**REAL HYDROFIT & CO.**  
 SPLTS: VALVE - FLEXIBLE HOSES - HYDRAULIC FITTINGS  
**COMPLETE RANGE OF ISI & IBR APPROVED VALVES & COCKS**

www.realhydrofit.com

\*\*\*\*\*  
**REAL HYDROFIT & CO.**  
**Hygienic Hose & Fittings**

www.realhydrofit.com

\*\*\*\*\*  
**REAL HYDROFIT & CO.**  
**industrial hoses**

ISO 9001:2008 CERTIFIED COMPANY

www.realhydrofit.com

sales@realhydrofit.com  
 reohydesales@gmail.com


www.realhydrofit.com

9869078630, 9167921882  
 91 22 66573951/52/53, 23717488




# OUR MORE PRODUCTS

\*\*\*\*\*  
REAL HYDROFIT & CO.<sup>®</sup>



**EXPANSION JOINTS**



IAF CCL CE  
ISO 9001:2008 CERTIFIED COMPANY

\*\*\*\*\*  
REAL HYDROFIT & CO.<sup>®</sup>

Instrumentation and Tube Fittings  
Imperial and Metric



Specialist in: Low/High Pressure Hydraulic, Air, LPG, CWG, Steam, Chemical, Food Grade Hoses.  
All Types of Industrial, Seismic, S.S. Metallic Corrugated Flexible Hoses, Pressure Gauges & All Types of Fittings.



\*\*\*\*\*  
REAL HYDROFIT & CO.<sup>®</sup>

Rubber Expansion Joint

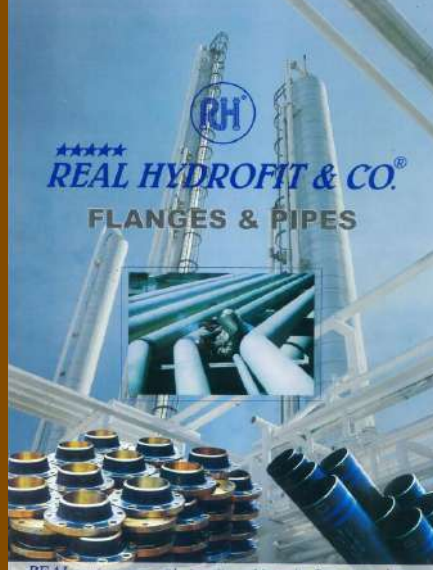


IAF CCL CE  
ISO 9001:2008 CERTIFIED COMPANY



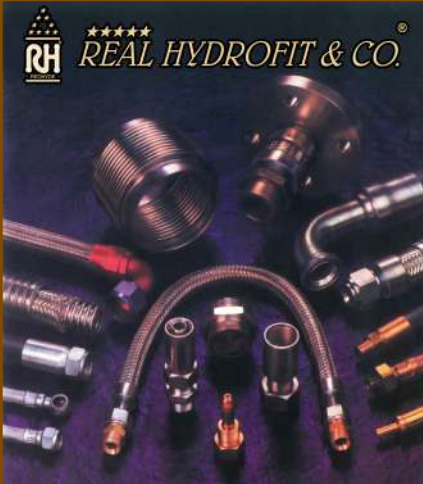
\*\*\*\*\*  
REAL HYDROFIT & CO.<sup>®</sup>

FLANGES & PIPES



REAL service comes with sincerity and integrity first... money later.

\*\*\*\*\*  
REAL HYDROFIT & CO.<sup>®</sup>



**HYDRAULIC - TEMPERATURE  
HOSES & FITTINGS**

sales@realhydrofit.com  
reohydesales@gmail.com

www.realhydrofit.com

9869078630, 9167921882  
91 22 66573951/52/53, 23717488





★★★★★  
**REAL HYDROFIT & CO.**®

SPLTS: TUBE-PIPE FITTINGS - FLEXIBLE HOSES - HYDRAULIC FITTINGS

**514/A, Sussex Industrial Estate, Dadoji Konddev Cross Road,  
Byculla (E), Mumbai- 400027**

**+91-9869078630 / +91-9167921882**

**+91-22-66573951/52/53 / 23717488**

**sales@realhydrofit.com reohydesales@gmail.com**

**www.realhydrofit.com**

**GST NO: 27ADUPM0382L1ZX**